



ULTIMHEAT

HEAT & CONTROLS



ELECTROMECHANICAL & ELECTRONIC THERMOSTATS FOR INCORPORATION

- For these thermostats incorporated inside various boxes, housing & cabinets:
- Explosion proof versions:

See catalogues N°2 & 3

See catalogue N°4

Contact us























Because of permanent improvement of our products, drawings, descriptions, features used on these data sheets are for guidance only and can be modified without prior advice

Section 1	Summary	Page Cat1-3-1-1~4	1-4
Section 2	Historical introduction	Page Cat1-3-2-1~4	1-4
	Technical introduction	Page Cat1-3-2-5~40	5-40
Section 3	References list	Page Cat1-3-3-1~4	1-4

Temperature control thermostats				Page Cat1-3-4-1~21	1-21
Section 4			Type 4911	Snap action bimetal disc thermostat, 1/2" disc, reduced 6mm thickness, 10A 250V.	3-4
			Type 4903	Snap action bimetal disc thermostat, 1/2" disc, 12mm thickness, 16A 250V.	5-6
			Various models	Setion of antifreeze or defrost applicaton disc thermostat.	7-8
			Type 49JE	Technical over-molding of thermostats.	9
			Type 8G	20A Single pole control thermostat	10-12
			Type 8GB060500	Single pole control bulb and capillary thermostat, temperature range 60-500°C	13
			Type KQA	Single pole control thermostat, various ranges up to 500°C	14
			Type KO-V	Din rail mounting bulb and capillary thermostat. Downside electrical connection block.	15
			Type 8C	3x16A control thermostats, staggered or almost simultaneous contacts	16-17
			Type 8D	3 x 20A control thermostats with simultaneous contacts	18-19
			Type WLD	Wood and solid fuel stove damper bulb and capillary thermostat .	20-21




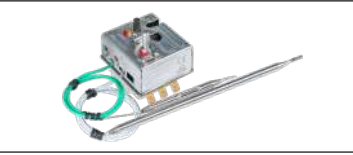

Electronic thermostats			Page Cat1-3-5-1~8	1 - 8
Section 5		Type 2PE2N6	Blind electronic thermostat, 16A, temperature control or manual reset limiter	3
		Type 2PE2P6	Electronic thermostat, knob adjustment, remote sensor, Pt100 temperature sensor, temperature control or manual reset limiter	4
		Type 2DNAP6	Digital display electronic thermostat, 10A.	5-6
		Accessories	Accessories for 2PE2N6 and 2PE2P6.	7-8

Manual reset and thermal cut out			Page Cat1-3-6-1~22	1-22
Section 6	 	Type 4R05	Manual reset snap action bimetal disc thermostat, ½" disc.	3-4
		Type 4REMR	Epoxy potted waterproof manual reset disc thermostat, 2 wire output.	5
		Type 4C	3 poles manual reset disc thermostat.	6
		Type 8L	SPNC manual reset high limit, fixed or adjustable set point, fail-safe, 20A.	7-8
		Type 8A	Single pole manual reset fixed setting limiter 20A 250V, 16A 400V. Set point up to 550°C	9-10
	 	Type 8X and 8Y	SPNC (8Y) and DPNC (8X) manual reset high limit, fail-safe, 20A, with single pole change over contact in option. Front mounting, small footprint.	11-12
	 	Type 82	3 poles manual reset high limit, fail-safe, 3x25A 250V, 3x20A 400V, rear mounting.	13
	 	Type 83	3 poles manual reset high limit, fail-safe, 20A, with single pole change over contact in option. Front mounting, small footprint	14-15
		Type 85	3 poles manual reset high limit, fail-safe, 3PNC, 25A 250/400V.	16-17
		Type 86	3 poles manual reset high limit, fail-safe, 3PDT 25A 250/400V.	18-19
		Type 87	3 poles manual reset high limit, fail-safe, 3PNC, 25A 250/400V, with protected large M4 screw terminals	20-21
		Type 5MA3-F	Wired thermal cut out, 16A250V, for pocket mounting.	22


Because of permanent improvement of our products, drawings, descriptions, features used on these data sheets are for guidance only and can be modified without prior advice



Because of permanent improvement of our products, drawings, descriptions, features used on these data sheets are for guidance only and can be modified without prior advice

Temperature control thermostat & manual reset thermal cut-out			Page Cat1-3-7-1~8	1-8
Section 7		Type 8H	Single pole combination control thermostats 20A, with two poles fail-safe manual reset limiter	3-4
		Type 8I	Three poles combination control thermostats, 3 x 25(4)A 250VAC, 3 x 25(4)A 400VAC, with 3 poles fail-safe manual reset limiter	5-6
		Type 668I3PCB	Star Delta auxiliary connection terminal block for 8I for use in 250/450V immersion heater.	7

Thermostat accessories			Page Cat1-3-8-1~12	1 - 12
Section 8			Thermostats knobs.	3 - 4
			Bezels, dials and plates.	5
			Shafts gaskets and pockets.	6
			Pockets and pockets grommets.	7
			Brackets, fittings and thermostats boots.	8
			Disc thermostats accessories	8
			Thermostat shaft switches and heating elements switches.	9
			Connector for bulb and capillary thermostat.	10

 : These products are not made by Ultimheat



Because of permanent improvement of our products, drawings, descriptions, features used on these data sheets are for guidance only and can be modified without prior advice



Because of permanent improvement of our products, drawings, descriptions, features used on these data sheets are for guidance only and can be modified without prior advice

Historical introduction



Because of permanent improvement of our products, drawings, descriptions, features used on these data sheets are for guidance only and can be modified without prior advice



Thermostats arose with the need to maintain a constant temperature in alchemist ovens and incubators, and to save fuelwood, then followed, using various techniques, the development of the use of charcoal, lighting gas, electricity, and petroleum-derived liquid fuels.

Their mechanisms were diversified according to the needs of the devices: Incubators, stoves, industrial and domestic boilers, central heating systems, water heaters, radiators and gas and electric fireplaces, electric and explosion motors, then all domestic cooking appliances.

Their operating principles and construction evolved with the emergence of new metals and alloys: Invar, Beryllium or Phosphorus Bronze, Stainless Steel, Tombac. The precision of the devices followed the evolution of metal rolling and bimetal co-lamination. Gas mixtures, essential for vapor pressure thermostats, and liquids, essential for liquid expansion thermostats, followed the development of chemistry.

The manufacture of capillary tubes in copper and then in stainless steel, in smaller and smaller diameters, allowed the expansion of devices with remote measurement.

Electrical insulation, long limited to micas and micanites, improved with the arrival of thermosets: Ebonite, bakelite, and polyesters, then finally the huge family of thermoplastics that were developed following the invention of nylon. The boxes and bases followed the same evolution.

Electrical contacts, initially dependent on bulky and oxidizable mercury pots, became more effective with mercury bulbs under nitrogen atmosphere, then with dry contacts in silver and its alloys.

The invention of snap-action contact mechanisms allowed use on 220 volts circuits, while providing a very long service life to all these devices.

Initially bulky, the mechanisms were miniaturized by following the development of micromechanics and by borrowing watchmaking techniques.

A corollary of miniaturization, automation, especially from the years 1975-80, caused production costs to fall.

While some models have disappeared, often following the decline in their applications, thermostats have proliferated in a world where safety is a priority. They are now present, although invisible, by the dozens or even hundreds, in all homes, in household appliances, in small electric motors, in heaters as well as in vehicles.

Thanks to their proven reliability, their high electrical breaking capacity and their (apparent) simplicity, they will remain irreplaceable, even in a world where electronics are playing an increasingly important role.

For more information on the history of thermostats, see "Outline of the Thermostats history", by Jacques Jumeau, 2020, published by Ultimheat, 256 pages with more than 427 illustrations, describing the history of 40 families of thermostats.



Because of permanent improvement of our products, drawings, descriptions, features used on these data sheets are for guidance only and can be modified without prior advice



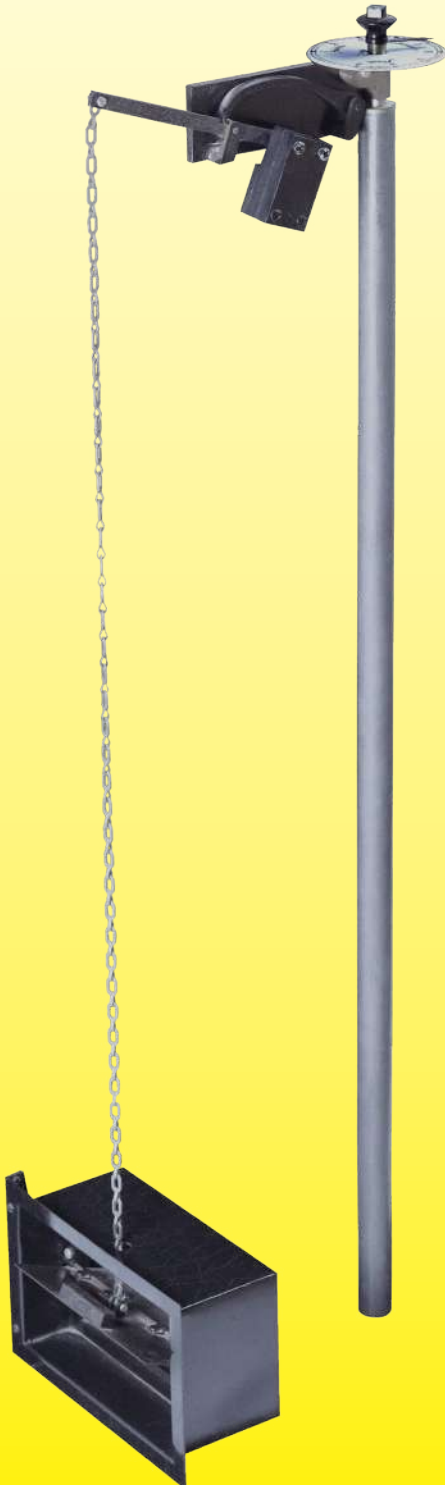
Because of permanent improvement of our products, drawings, descriptions, features used on these data sheets are for guidance only and can be modified without prior advice

Technical introduction



Because of permanent improvement of our products, drawings, descriptions, features used on these data sheets are for guidance only and can be modified without prior advice

The temperature measurement was preceded by a long period, throughout the 18th century, when first empirically and then gradually more accurately, have been developed measurement scales, were discovered fixed points for the calibration of these scales, and all physical variations related to temperature change: Thermal expansion of gases, liquids, metals and other solids, liquefaction temperatures, boiling temperature, magnetism, thermoelectricity, just to give a few. However, this is only when the shortage of charcoal, the rising price of heating means added with the need for precise temperature control, that were developed thermostats. The first one was made for incubators at the end of the 18th century, by the French engineer Jean Simon Bonnemain, with the first accurate bimetallic rod thermostat in 1788 (It was named at that time "Gouverneur du feu" or "régulateur du feu" (fire governor). It was used to control the water temperature of the first central heating boiler using the thermosyphon that he also invented. In the first quarter of the 19th century, the huge development of the central heating by hot water or low pressure steam generalized various control systems, most of them in the low pressure steam boilers, and the arrival of electricity for domestic use in the late 19th century initiated the search for and discovery during the first 50 years of the 20th century almost all current systems thermostats.



1788. The first rod thermostat named "Régulateur du feu" invented and built by Jean Simon Bonnemain, French engineer, to control the temperature of a Hatchery in the suburbs of Paris, heated by the first thermosyphon boiler also invented for the occasion.

1. Temperature sensing principles

1.1 Bimetals



1.1.1 BIMETAL STRIPS

The bimetal strip is formed by two co-laminated metal. One has a high coefficient of expansion, the other a lower or zero. When this strip is heated, it bends proportionally to the temperature. These bimetal blades are generally flat and fixed at one end. But they can be wound in a spiral shape, although this arrangement most often used in the construction of thermometers.

1.1.2 DISCS AND DISCS VARIATIONS



In many applications, it is needed to produce a bimetal with a snap operation with a sudden change of shape at a given temperature. For this, a bimetal disc is bumped and formed into a dome. Temperature changes cause an accumulation of energy therein, which, at a specified temperature, snaps from the concave to the convex shape. A very rigorous selection of the composition, thickness, depths of stamping and heat treatment, is requested to obtaining accurate, stable and repetitive operating temperature.

Based on original round form, were developed rectangular shapes, ovals, etc...

The main difficulty is to obtain a small tolerance and a small differential on operating temperature.

But these snap action discs are the sensing device of most temperature limiters on the market.



Because of permanent improvement of our products, drawings, descriptions, features used on these data sheets are for guidance only and can be modified without prior advice

1.2 DOUBLE METAL EXPANSION

Double metal expansion is the differential expansion of 2 different metals, not laminated together. Metal thermal expansion produces huge force, enough for example to bend railway rails when expansion gaps are not correctly designed.

1.2.1 CARTRIDGES

The cartridge consists of an outer expandable tube, usually stainless steel, and two non-expandable internal blades, usually Invar. The elongation of the envelope is a function of temperature. For a length of about 100mm, this expansion is 0.0020mm per °C.



1.2.2 PARALLEL BLADES

Their principle is similar to cartridges, they are made of one expandable copper alloy blade to which is welded at each of its ends a bow shaped invar blade. Expansion of the copper alloy blade will tend to reduce the distance between the two blades.



1.2.3 RODS

The rods are formed of an outer expandable tube in stainless steel, copper or brass, and an inner invar rod. Expansions value are similar as the cartridges. This principle is the basis of most current water heater thermostats. This is a very simple, very reliable, the reaction time is very fast, as it is the outer tube itself that measures the temperature.



Through the use of expandable metal instead of Invar, it is possible to obtain devices with anticipative control action, which is very close to proportional action of electronic controllers.

Using the same metal for the outer tube and the inner rod provides controls that are only responsive to fast changes in temperature and are used in fire detectors. In very high temperatures, invar rod can be replaced by quartz or alumina.

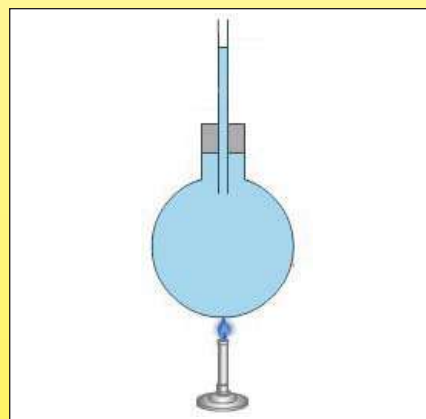
1.3 LIQUID EXPANSION

Liquids are incompressible and expand as solids. The expansion forces are very important and will develop considerable power to the mechanisms.

The expansion of liquid are used in closed subassemblies named "diastats", they consist of a bulb, a capillary, a bellows or diaphragm.

The expansion of the liquid in the bulb is transmitted through the capillary to the diaphragm which inflates and produces movement. Diaphragms expansion ranges are between 0.4 and 0.8mm for the entire measuring range. Bulbs volumes are calculated to provide a specific displacement for a given range. Freezing temperature of the liquid gives the lower limit of use, the upper limit is the boiling temperature. Raising these limits generally cause the destruction of the diastat.

The good thermal conductivity of liquids used provides short response time.



1.3.1 LIQUID METALS

Mercury was the first liquid used in thermostats.

Its first use was the traditional mercury thermometer.

Its expansion is almost linear from ambient to 500°C.

This is an excellent conductor of heat. So it was ideal for liquid thermostats. However its toxicity has done it to virtually disappear during last decade.



1.3.2 LIQUID METALLOIDS

Metalloids are on the borderline between metals and other materials. In thermostats, are only used sodium and potassium, and especially an eutectic mixture of the two, NaK, which as the interesting characteristic to be liquid in a wide range of temperature, from ambient temperature to over 900°C. It is also an excellent conductor of temperature.

These two characteristics have earned him to be selected as a coolant for nuclear plants.

For temperature measurement, it also has the advantage of having a linear expansion.

Its use in thermostats is relatively recent, and arose with self-cleaning ovens, because it allows devices withstanding high temperatures.

However, it must used in protected devices, without contact with air or water, because it is particularly reactive, flammable or explosive in contact with them.

It is also corrosive and requires special stainless steel diastats.



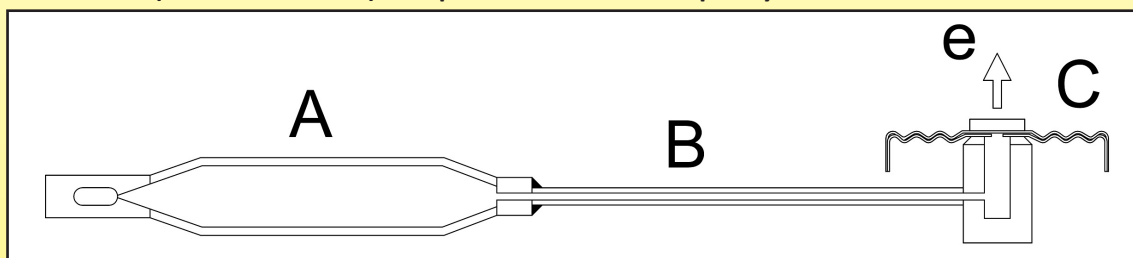
1.3.3 OILS

Many oils are used. They are always a compromise between a high coefficient of expansion, which allows small bulbs, a boiling point as high as possible, a freezing temperature as low as possible, a good linearity in the range expansion, a good thermal conductivity, and non-toxicity.

Among the most common, we must mention the xylols, oils used in heat exchangers, and silicone oils.

It is now possible to cover with these 3 types of liquids, ranges from -40°C to 400°C.

1.3.4 The thermal drift (Correction factor) of liquid filled bulb and capillary thermostats



The bulb and capillary thermostats have a closed subassembly called “Diastat”.

This diastat, with bulb and capillary made of copper or stainless steel, is composed of 3 parts welded together:

1. The bulb (A), which is the reservoir of the largest portion of the liquid, and liquid expansion as a function of temperature will be used to measure it. It is closed at its free end by welding after liquid filling.
2. The capillary (B), whose outer diameter varies depending on the manufacturer and type of thermostat, between 1mm and 3mm, which serves to transmit remotely the increase in volume of the liquid in the bulb.
3. The bellows (C), consisting of two flexible cups welded together on their edges, having a diameter of 19 to 25mm (sometimes up to 32mm on industrial devices), which will convert the increase of the bulb liquid volume into mechanical displacement (e).

These three parts are filled with a liquid under vacuum. The expansion of the liquid, proportional to the temperature increase, causes the displacement “e”, which is used to operate an electrical contact.

However, the expansion of the liquid in the capillary (B) and into the bellows (C) is not related to the temperature measured by the sensor (A), but to room temperature in which they are located, and cause therefore a parasite expansion of the liquid and therefore an unwanted mechanical displacement.

The design of a diastat tends to minimize this movement, by limiting the volume of liquid in (C) and (B) by 2 ways:

- By limiting the capillary internal diameter. The minimum diameter is a compromise between the technological possibilities of embodiment of the capillaries, the stresses due to bending of the capillary, and the water pressure losses permissible depending on the viscosity of the liquid used, and the pressure developed by the expansion.
- On the bellows: When filling the diastat, the two membranes forming the bellows are pressed against each other, without gap, and thus only a small amount of fluid can go between them. However the volume of liquid in the bellows increases progressively as the liquid in the bulb (A) expands by the temperature rise. The ratio of the drift therefore not only reports to the initial volume inside the bellow, but increase with the temperatures as this volume increases with the temperature rise on the bulb.

The counterpart of this design of the bellows with a small amount of liquid when filling the diastat is that no mechanical movement is possible below this filling temperature. In assembled thermostats, adjusting the set point is not possible below this temperature at which the bellows is empty. This area below the filling temperature is called “dead zone”, and typically corresponds to an area where no temperature is printed on the thermostat knob.

The parasite drift of a bulb and capillary thermostat will be given in the data sheet and expressed in °C/ °C or °K/ °K.

It depends on the volume ratio between the bulb and capillary + bellows. A large volume bulb is less sensitive to drift, and a short capillary also decreases it.

In the case of fixed temperature high limit thermostat, the small bulbs will lead to a high sensitivity to the ambient temperature on the thermostat body.



Because of permanent improvement of our products, drawings, descriptions, features used on these data sheets are for guidance only and can be modified without prior advice

Comparative values for thermal drift in a dia. 19mm membrane diastat, and a displacement “e” of 0.8mm for the temperature span (approximate values)

Temperature range	Drift with 250mm capillary (°K/ °K)	Drift with 900mm capillary (°K/ °K)	Drift with 1500mm capillary (°K/ °K)
4-40°C	0.1	0.12	0.14
30-90°C	0.18	0.20	0.24
50-300°C	0.25	0.45	0.58

This drift explains that thermostats calibration temperature are given for a body ambient temperature of 23°C±2°C (standard ambient condition given by EN60068-1), and usually for an immersed capillary length of 80 to 100mm.

**Examples of temperature drift on a thermostat with a 1.5 m capillary
(to be added to calibration tolerances)**

Temperature range (°C)	Set point temperature (°C)	Effective contact opening temperature if ambient on thermostat body is 0°C	Effective contact opening temperature if ambient on thermostat body is 50°C
4-40	40	40+3.2	40-3.8
30-90	90	90+5.5	90-6.5
50-300	300	300+13.3	300-15.7

1.4 VAPOR PRESSURE

This system involves in diastats a mix of liquid and its saturated vapor, just as in a butane bottle, where are coexisting gas and liquid.

In this closed environment, any increase in temperature results in an increase in pressure and significant volume changes.

Unfortunately gases are compressible, and even if it is possible to obtain significant movements, the available force is low. Movements are not linear, and these systems are sensitive to changes in atmospheric pressure. Among the main fillers used, there are:

1.4.1 FREONS

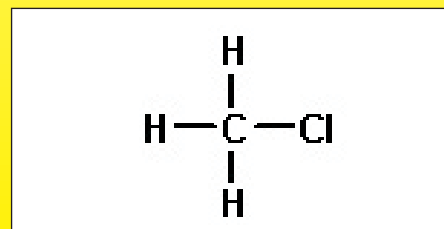
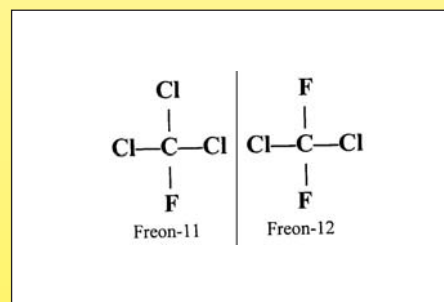
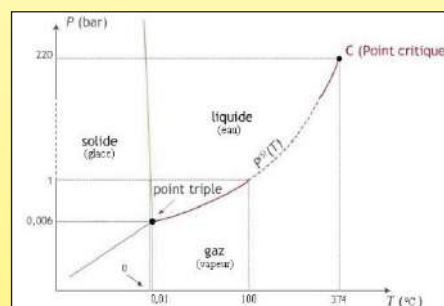
They are used because of their availability, and existing vacuum filling systems for refrigerant circuits. They also work in low temperatures.

1.4.2 BUTANE AND PROPANE

They are used for the same reasons as above, but have the disadvantage of being flammable.

1.4.3 OTHERS: METHYL CHLORIDES

They are used in capillary thermostats and membranes room thermostat.





1.5 STATE CHANGE

In state change devices, a linear displacement against temperature is not used. What is used is the instant change of volume that appears at specific temperatures at melting, freezing, and boiling points on various elements.

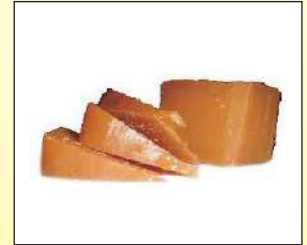
For example, the freezing point of water at 0°C causes an increase in volume, melting at 0°C causes a reduction in volume, but also the transition from the solid state to the liquid state: When water is boiling at 100°C steam causes large volume increase.

State change systems will therefore use these special properties of a number of elements and compounds.

1.5.1 WAXES

Thermostatic wax is a complex mixture of many components providing a different Melting/Freezing temperature depending on the composition. At this temperature there occurs a high volume change. Waxes have the characteristic increase in volume when they melt.

This system, which causes a high displacement, is used for car thermostats, to open the flow path of water. It is also common in central heating radiators thermostat, as well as in mini-jacks locking the doors of ovens, washing machines and other appliances.



1.5.2 LOW FUSE TEMPERATURE ALLOYS

These fusible alloys are all descendants of those discovered by Darcey at the beginning of the nineteenth century. An alloy of tin, antimony, lead, bismuth and other metals, will have melting temperatures between 25 and 200°C depending of the percentage of each ingredient.

Their first applications were opening the steam pressure locomotive blowdown valve. The melting of the alloy at a predetermined temperature is used to release a mechanical system (fire fusible links) or directly open an electrical circuit (thermal cut-out electrical fuses).



1.5.3 BOILING

The boiling of a liquid causes, in a closed circuit, a sharp increase in pressure. This increase in pressure may be due to local boiling in a capillary thermostat diastat. This allows to make thermostats sensitive to temperature on a long distance, detecting hot spot at any place on the capillary.

Boiling is also used in glass bulbs, which breaks when the liquid inside boils and releases a mechanical or electrical system. The best-known application is the control of the "sprinkler" systems, common in building fire detection.



1.6 OTHER SYSTEMS

1.6.1 THE CURIE POINT

The Curie temperature is the temperature at which a magnet loses its magnetization. This temperature can be changed by altering the composition of the magnetic alloy. This loss of magnetization releases a mechanical or electrical system.

This application is limited to a few specific uses, such as rice cookers.



1.6.2 FORM MEMORY

Some alloys or compounds, subject to a certain temperature, return to the form they had before their mechanical processing. Heat treatment and composition determine these temperatures.

1.6.3 EXPANSION OF GAS

This system is mainly used for the production of thermometer, because the available forces are weak and can hardly operate a contact. Is linear expansion and allows a linear scale in a wide range of temperatures.

The gases used are mainly helium and argon.

These systems are sensitive to atmospheric pressure and demand a compensation system.



2. Electrical contacts



As numerous mechanisms exist, we decided not to distinguish on the basis of constructive technique, but according to their operation speed, which is the key element.

2.1 ELECTRICAL CONTACTS SYSTEMS

2.1.1 SLOW BREAK

In slow break contacts both sides deviate slowly at speeds of the order of 1/ 10mm per second.

In the normal atmosphere, then an electrical arc occurs when the contacts are close together.

The duration of this arc is a function of voltage.

For voltages up to 24V DC or 110VAC, the duration of this arc is short, less than 0.1s.

For higher voltages, the arc lasts much longer, producing premature fusion of the contact, and many radio interference.

This is why it is not recommended, despite the mechanical advantages (simplicity, low cost, high precision), to use slow break (or slow make) contact in 230V electrical circuits, for fast cycling applications.



2.1.2 SNAP ACTION

On snap action contacts, the gap between contacts occurs at much higher speed, of about 1m per second (100,000 times faster than a slow break contact). The contacts spacing to extinguish the electrical arc is reached in less than 1/ 1000 sec. There is no radio interference, and the contact does not substantially deteriorate.

This type of contact is mechanically much more complicated, more expensive, and does not allow small differential control. It is particularly suitable for control devices in 240V or 400V. Several techniques are used to get a snap action:

- The oldest is the use of magnets on the contact blades. The magnetic field decreases with the 4th power of distance. The attraction between the two blades thus takes a very short distance. This system is highly reliable, but not currently used due to the large number of components that it requests.

It was used extensively on the needle contacts on barometers, manometers, thermometers with a circular dial, and was the first snap action system to be used in thermostats

- The most common today is the energy storage blade, whose drawings have been simplified in recent years, largely due to the improvement of beryllium copper alloys, and new design concepts.



Because of permanent improvement of our products, drawings, descriptions, features used on these data sheets are for guidance only and can be modified without prior advice



2.2 CONSTRUCTION

2.2.1 MATERIAL CONTACT

Before the development of silver electrical contacts, the first electric thermostats used mercury. Liquid mercury, enclosed in a glass bulb having two electrodes, established the contact between them by tilting, or more simply, a metal needle, by its movement, established the contact with the surface of the mercury.

Electrical contacts are currently rivets made of pure silver, or slightly alloyed with other metals or oxides (Cadmium, Nickel, Tin).

Silver was chosen because it is the best known conductor of heat and electricity. Contact wears by micro vaporization at each open and close cycle. This vaporization is proportional to the strength and duration of the electric arc.

The thermal conductivity of the silver allows it to quickly evacuate the peak temperature occurring during opening of the contacts.

Its very good electrical conductivity allows for devices with very low contact resistance, generally less than 3 milliohms. However it is not stainless and is gradually covered by a thin layer of silver oxide which is not electrically conductive.

This layer is easily vaporized during use in common household voltages (120V, 230V). However, for use in low voltage (less than 12V) and very low currents (a few milliamperes), the arc created when opening the contact is not sufficient to vaporize the contact.

This is the reason why, for low-power circuits, the contacts are protected against the oxidation by a thin layer of gold.

2.2.2 CONTACT GAP

After opening, the contacts are spaced by a gap. This gap, according to the device may vary from 1/ 10th to 3mm or more. An usual value in thermostats is 0.3 to 0.4mm, which corresponds to micro-disconnection requested by electrical standards.

Smaller gap, which is the mechanical requirement to make low differential devices (see definition belows) cannot be used in high voltages, because, although there is no mechanical contact between the 2 contacts, an electrical arc can spontaneously appears in 380 or higher voltages: Just adverse weather conditions such as high relative humidity may be sufficient.

A method to increase the contacts gap without requiring thermostats to provide significant movement, is the double break, used on some manual reset thermostats, which also reduces the risk of contact welding.

2.3 CONDITIONS OF USE AND ELECTRICAL LIFE

In the specifications for an electromechanical thermostat, the expected life is described in terms of mechanical and electrical.

Electrical life:

This is specified as a minimum number of cycles (action of opening and closing) will make, carry, and break the specified load without contact sticking or welding, and without exceeding the electrical specifications of the device.

Mechanical life:

This is the number of operations which a thermostat can be expected to perform while maintaining mechanical integrity. Mechanical life is normally tested with no load or voltage applied to the power contacts, and is not part of this document.

Switch performance is influenced by a variety of factors, including: Frequency of operation, type of load, temperature, humidity, altitude. Electrical ratings are been tentatively standardized in UL 1054, CSA22.55 or IEC61058-1 (Switches for appliances). IEC60730-x standards have specified testing methods and preferred electrical life classes for electrical control and safety switches. These life classes are (cycles): 300 000, 200 000, 100 000, 30 000, 20 000, 10 000, 6 000, 3 000 (1), 1000(1), 300 (2), 30(2)(4), 1(3).

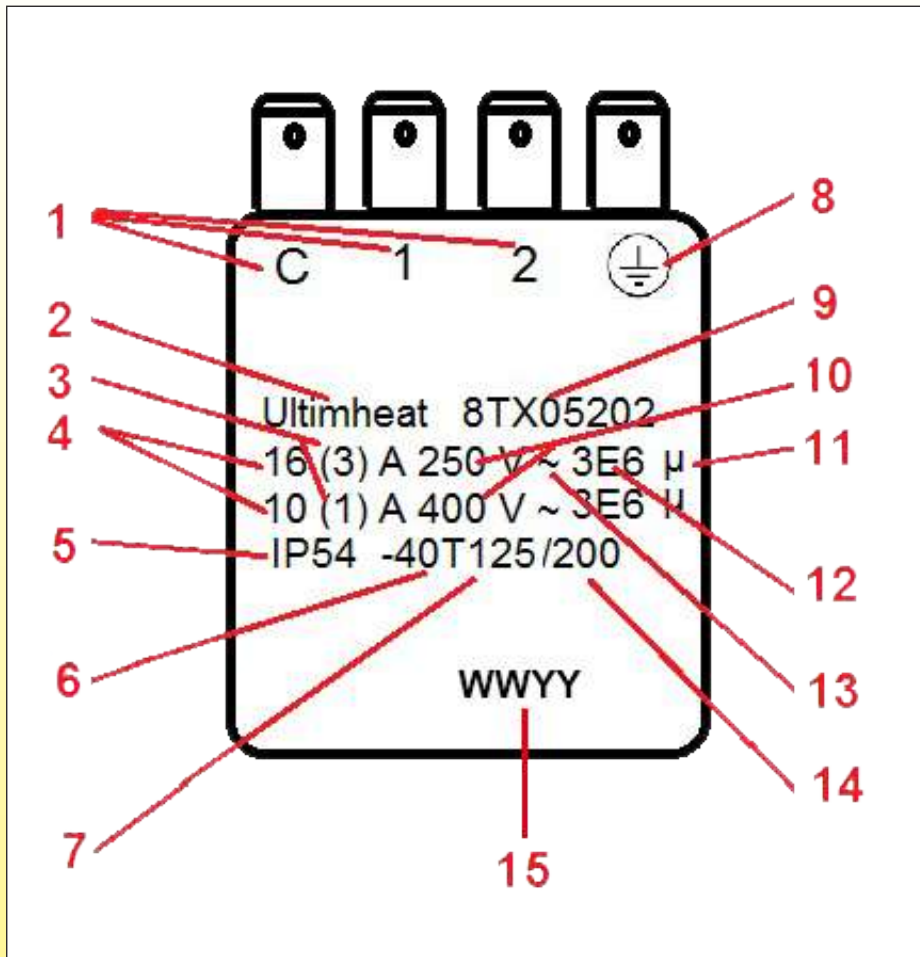
- 1) Not applicable to thermostats or to other fast cycling actions.
- 2) Applicable only to manual reset.
- 3) Applicable only to actions which require the replacement of a part after each operation.
- 4) Can only be reset during manufacturer servicing.

The rating tables should be considered as working maximum for most applications. Hereunder are given some limitations that apply when they are used in other loads and voltages.

The current rating of thermostat switches is given in their technical data sheets for a resistive load in 250 or (and) 400V AC and a specified number of operations. When there is enough room, these values are printed on the product. In most of case, only the minimum mandatory information is printed. The cycle number is exceptionally printed, but this is one of the most critical parameter to estimate the expected life of the thermostat.



2.3.1 Explanation of printed values made on a thermostat upon IEC60-730-1 § 7-2



1: Identification of terminals that are suitable for the connection of external conductors, and if they are suitable for line or neutral conductors, or both.

L= must be used for line in United Kingdom, other countries no restriction. N must be used if the terminals must be used for neutral (All countries).

2: Manufacturer's name or trade mark.

3: Inductive load rating with power factor = 0.6 (When inductive load value is not printed, these contacts may be used for an inductive load, provided that the power factor is not less than 0.8, and the inductive load does not exceed 60% of the current rating provided for the resistive load).

4: Resistive load rating with power factor = 0.95±0.05.

5: Degree of protection provided by enclosure, does not apply to controls or parts thereof classified as IP00, IP10, IP20, IP30 and IP40.

6: High temperature limits of the switch head (Tmax), if other than 55°C.

7: Low temperature limits of the switch head, if lower than 0°C.

8: Ground terminal identification (if existing).

9: Unique type reference.

10: Rated voltage or rated voltage range in volts (V) (Frequency printing is mandatory if other than for range 50 Hz to 60 Hz inclusive).

11: Micro-disconnection (reduced contact gap) Printing is not mandatory.

12: Number of cycles of actuation for each manual action (For manual reset thermostat).

Number of automatic cycles for each automatic action (for control thermostat). Printing is not mandatory.

13: For use on alternative circuit, 50 to 60Hz inclusive.

14: Temperature limits of mounting surfaces (Ts) if more than 20 K above Tmax.

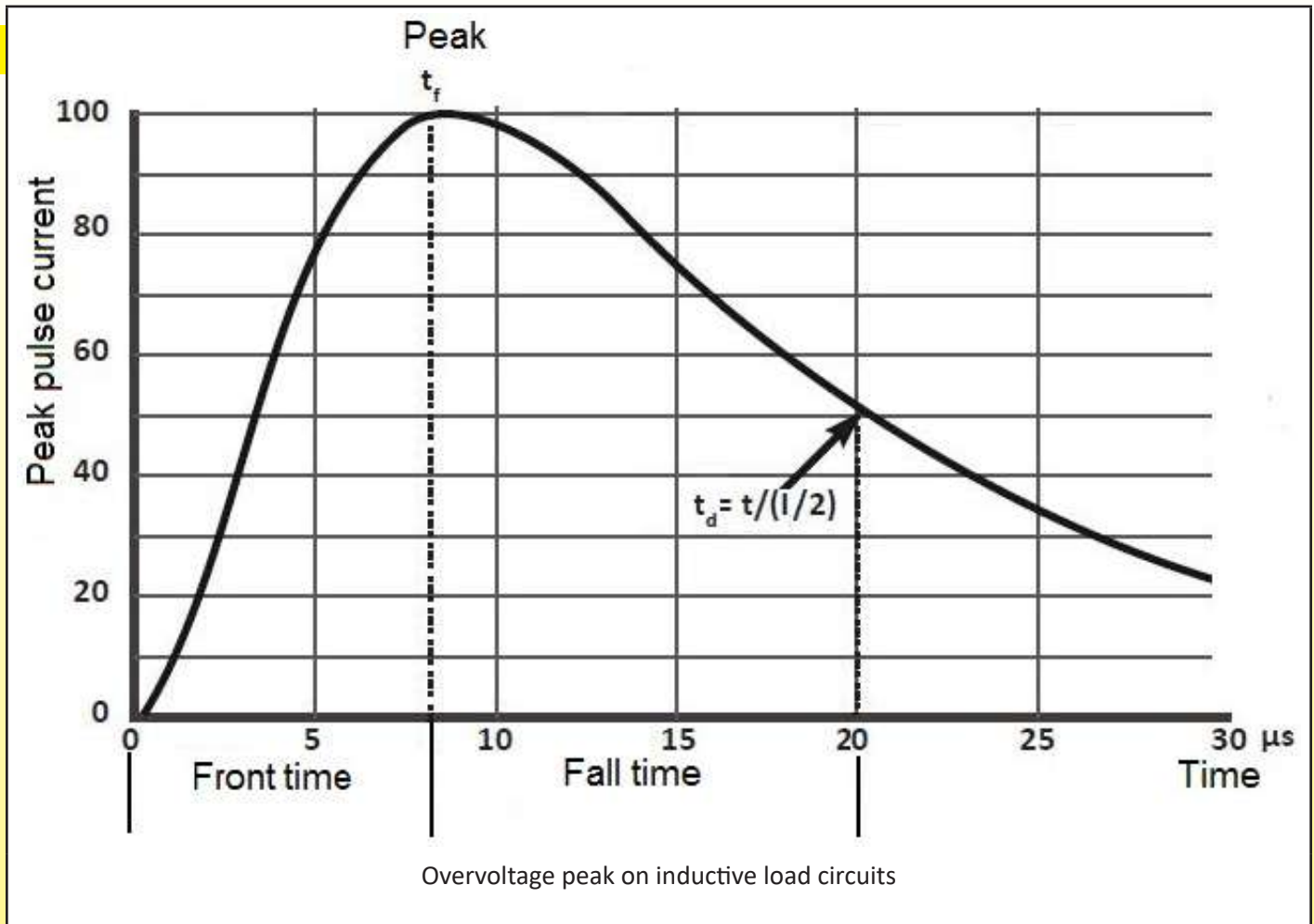
15: Production date or batch number.

2.3.2 VOLTAGE, RESISTIVE OR INDUCTIVE CIRCUIT, SHIFTING ANGLE (cos phi)

In Europe, the most common voltage is 230 Volts AC 50Hz. In general, all devices are designed for these conditions. 400V operation must match particular contact spacing. However, particular attention must be given to the type of load to control: Electrical ratings are always given for a resistive load (cos phi = 1). Applications with inductive loads like motors, transformers, coils, ballast, or capacitive loads, like capacitors on one or 2 speed motors cause much more important electrical arcing between contacts. These inductive or capacitive loads severely limit the contact rating.

Because of permanent improvement of our products, drawings, descriptions, features used on these data sheets are for guidance only and can be modified without prior advice

Electrical contact rating reduction on inductive loads



When a switch breaks an inductive load, a fairly high counter electromotive force (counter emf) is generated in the switch's contact circuit. The higher the counter emf, the greater the damage to the contacts.

The quantity of electrical current which flows through the contact directly influences the contact's life. Impulse voltage is the critical value which the switch must withstand when the voltage surges momentarily due to switching an inductive load. They generate a current surge wave, which form has generally a pulse width of 20 to 50 μs . Surge pulse rating is specified by its intensity and its width. Pulse width is time measured from pulse start to decrease to 50% of its maximum current value.

Figure shows a 8/ 20 μs rated curve.

Motors loads impulse voltage:

During start-up, a motor can pull 600% or more of its running current. Thus, a 3 amp motor may actually pull 18 amps or more during start-up. Additionally, when disconnected, a motor acts as a voltage generator as it slows to a stop. Depending on the motor, it can feed back into the circuit voltage well in excess of rated line voltage. These voltages appearing across the separating contacts can cause a destructive arc to exist between the contacts, which can lead to early failure of the contact.

Lamp loads impulse voltage:

A tungsten filament lamp, when filament is cold, has an initial inrush current of 10 to 15 times the nominal current.

Transformers inductive loads:

When power is removed from a transformer, its core may contain remanent magnetism. If power is reapplied when voltage is of the same polarity as that of the remanent magnetism, the core may go into saturation during the first half-cycle of reapplied power. As a result, inductance will be minimal and an inrush current of perhaps 1,000% may exist for a few cycles until the core comes out of saturation. Also, as with motor loads, when power is removed from a transformer, the transformer will develop a counter voltage which can cause a destructive arc to exist between separating contacts.

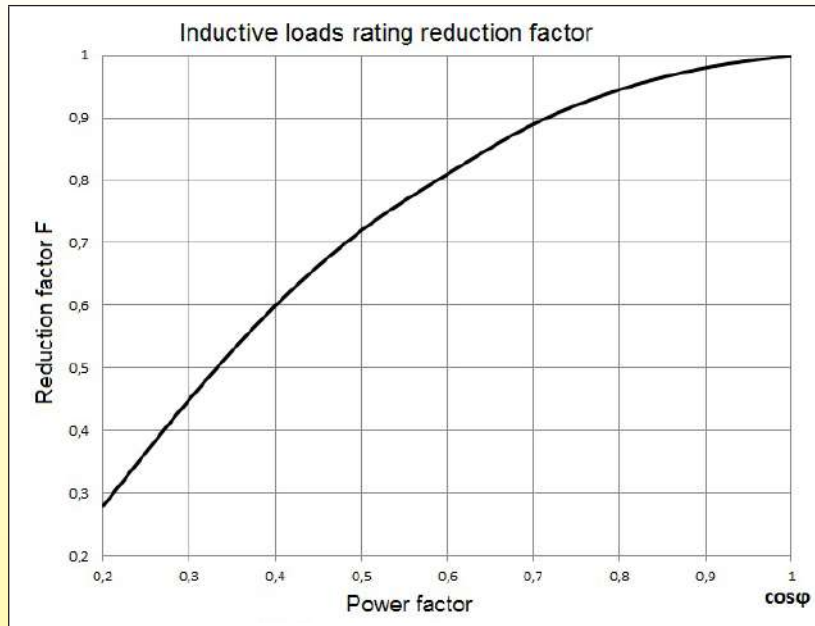
Distributed line capacitance loads:

This occurs when a switch is located a considerable distance from the load to be switched. The instant the contacts close, distributed line capacitance charges before load current flows. This capacitance can appear as an initial short circuit to the contacts, and can pull a current well in excess of load current.



Because of permanent improvement of our products, drawings, descriptions, features used on these data sheets are for guidance only and can be modified without prior advice

Average inductive loads correction factor (if no arc suppression device is used)



Self-regulating cables inrush current surge

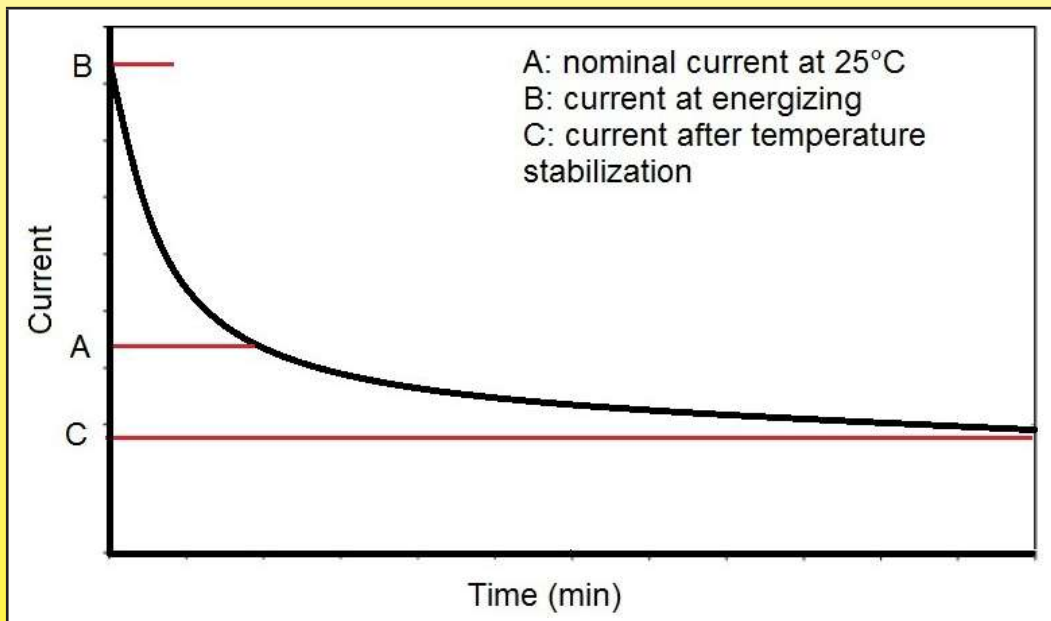
This is a completely different effect than short transient currents due to the contact switching interaction with the load.

This current surge is due to the PTC design of self-regulating cable and takes several minutes to dissipate.

Often the heating cable will be at a relatively low temperature (and hence low resistance) when initially energized. The low resistance will thus draw a high start-up current, inversely proportional to the ambient temperature. It can reach 2 times the nominal value given at 25°C by the manufacturer.

Refer to records of cable manufacturers to check the inrush current value.

Self-regulating heating cable inrush current trend



Indicative average current rating reduction coefficients (AC)

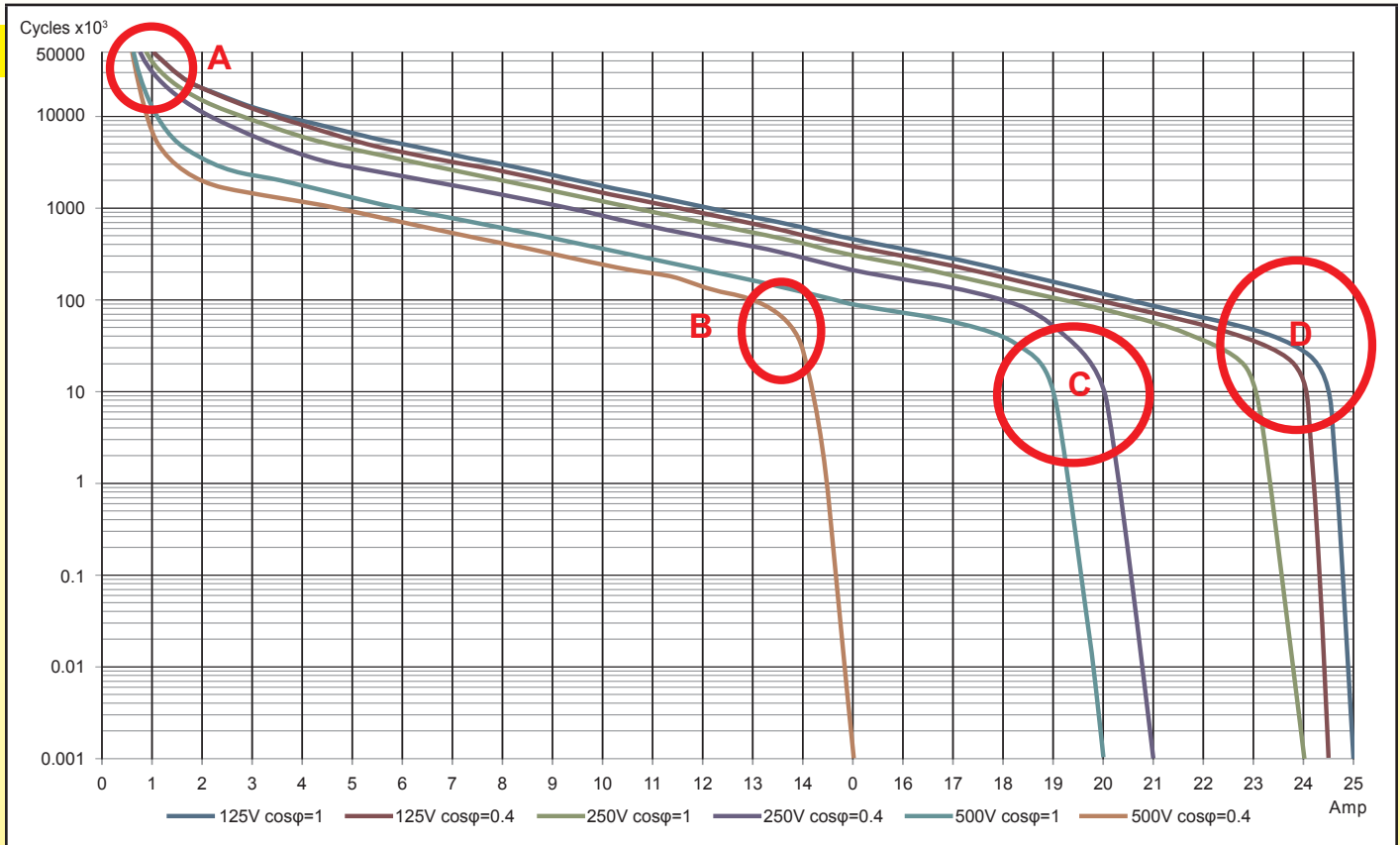
Resistive load	Filament lamp**	Electromagnetic coil	Transformer	Single phase motor	Three phase motor	Self-regulating heating cables*
1	0.8	0.5	0.5	0.12/ 0.24	0.18/ 0.33	0.6

* Average value, depending on cable ambient temperature at startup, see the manufacturers manuals and Standard CEI60898.

** With hot filament.



Average electrical life of a thermostat switch rated 15A250V, 300,000 cycles



Average approximate values for a snap action mechanism with silver contacts.

Characteristic points:

A: Zone of mechanical break of the contact blade by metal fatigue.

B: Contacts fast melting zone due to combination of inductive current, high voltage and high intensity.

C: Zone of contacts rapid deterioration due to huge arcs.

D: Zone of contact damage due to heating of the contact blade by the Joule effect and the loss of its elastic characteristics, combined with the electrical arcs.

2.3.3 AC AND DC

In the alternative current, the voltage crosses zero in each cycle, causing the arc extinction.

In DC circuits the contact does not pass a zero voltage.

So, the arc will extinguish only when the contacts gap becomes large enough to break the arc (a phenomenon used in arc welding equipment).

In thermostats the contact gap is generally low, from 0.3 to 0.5mm.

In voltages higher than 48VDC, this contact gap is insufficient to extinguish the arc, which continues through the electrical conductivity of the ionized air caused by the passage of current.

Contacts wearing is then extremely fast, and contacts can melt or weld in a few cycles, because the unidirectional flow of current causes a transfer of metal between the contacts.

Any application requiring the use of a thermostat in a DC circuit above 48V should be studied carefully, in collaboration with the supplier of the thermostat, so that reliable technical solutions (increased contact gap, magnetic blow of the arc or other contact protection) can be implemented.

DC Indicative breaking capacities reduction on snap action silver contacts, with the same lifetime, in resistive circuit

Current	0.2mm contact gap	0.25mm contact gap	0.5mm contact gap
AC, 250V	15	15	15
DC, 8V	15	15	15
DC, 30V	2	2	6
DC, 120V	0.4	0.4	0.5
DC, 230V	0.2	0.2	0.25

Because of permanent improvement of our products, drawings, descriptions, features used on these data sheets are for guidance only and can be modified without prior advice



HIGH FREQUENCY

High frequency applications should be avoided, because they initiate overheating loops in contact blades, which anneals them and modify their flexibility. The contact blade loses its snap action contact and contacts weld or have a premature wear.

2.3.4 CYCLING SPEED AND NUMBER OF CYCLES

Electrical contact life is, as we have seen above, the result of many factors.

It is important that the contact has time to evacuate the heat due to the electric arc. Too fast cycling (more than 0.5 per second) cause premature wear, since the contact can not evacuate the rise in temperature.

Most thermostats are designed to withstand:

- 100 000 cycles in control devices.
- 10 000 cycles in safety devices.

In some applications the number of cycles can be much lower. A device designed to withstand 100,000 cycles at 1A can withstand 25A for a few hundred cycles, and even 100 or 150A for 1 cycle.

Expected life and cycle is a very important parameter to know for the determination of a thermostat.

2.3.5 CONTACTS PROTECTION (capacitors, filters, varistors, magnetic blow)

It is possible, by means of accessories external to the contact, to extend or improve its longevity.

These systems are all designed to limit the duration of the arc.

- The oldest is the capacity mounted in parallel to the contact, which allows to use it in DC. This solution was extensively used some decades ago, when there were still domestic DC power supply. It is effective and inexpensive.
- The filter (Inductance and capacitor assembly) is mainly used on slow break contacts to avoid radio interference. It significantly increases the electrical life.
- More recently discovered, Varistors, absorb surges created by contact opening, and limit the arc duration and intensity. They double or triple the life, especially in inductive circuits.
- The magnetic blow, little used, is intended only for DC currents. A strong magnet located around the contact area, deviates the ionized arc, and makes a longer path that extinguishes the arc. This is the solution for high power ratings in 120 and 230V DC loads.
- Inductance: This system is mounted in series with the switch in the immediate vicinity of the contact. When it is well engineered, it has a smoothing effect on the voltage peaks.

2.3.6 CONTACTS CONTAMINATION

The presence in the atmosphere of a number of chemicals may have an adverse effect on the contacts operation and life.

In particular:

- A high relative humidity: More intense arcs, because the air loses some of its insulating properties.
- Presence of ammonia: Oxidation of contact blades, which are made of copper alloys.
- Presence of silicone oil or vapors: Silicone on the contacts stops the electrical current, because when silicone is burned by the electric arc, it becomes silica (aluminum oxide), which is a high temperature resistant insulator.

2.3.7 CONTACT SYSTEMS CROSSED BY THE CURRENT

In some small devices (temperature limiting), the contact mounted bimetal strips are themselves the temperature sensing elements.

These strips are not, because of their composition, very good conductors of electricity. The current flow in them causes them to heat by Joule's effect, and this temperature comes to be added to the temperature measurement. This is named "current sensitivity" and "thermal drift" in calibration.

2.3.8 CONTACTS OXIDATION

We have seen above that the contact resistance was very low, of the order of a few milli-ohms. Whatever the current passing through it, the resistance is too low to cause significant heating. However, if for one reason or another (contamination, oxidation, insufficient contact pressure, mechanical deformation, etc...), the contact resistance increases, this resistance will heat the contacts if the current is high, and may overheat them enough to melt or burn flammable materials located nearby.

2.4 CONTROL ACTIONS

2.4.1 TEMPERATURE CONTROL

This the first function of a thermostat. A temperature control action contact is a contact that will cycle periodically, by opening and closing an electrical circuit. This is not a safety device. Contacts must withstand a high number of cycles.

2.4.2 THE AUTOMATIC RESET

The automatic reset is a temperature limiter function that does not require, in case of tripping, the intervention of an operator. This type of contact is intended to warn of a malfunction and avoid product destruction if the control device is not working or broken. It resets when the temperature returns to permitted limits.

The current number of cycles of operation of this type of action is between 300 and 10 000.



2.4.3 THE MANUAL RESET

A manual reset is a temperature limiting function, which requires, in case of tripping, the intervention of an operator to reset the device. This type of contact is intended to warn of a malfunction and protect the product by shut off the electrical power. The reset can be done when the temperature is returned to the authorized limits. Manual reset can be accessed or hidden. In general, they cannot be reset without using a tool or without removing a cover or a cap. The current number of cycles of operation of this type of action is between 300 and 10,000.

2.4.4 ELECTRICAL RESET

This is the same function as above, but there is no reset button. It automatically resets after disconnection of the power supply.

2.4.5 RESET BY TEMPERATURE DROP

Temperature drop reset is an automatic reset after a significant drop in temperature, generally close to the ambient temperature.

This solution is very little used.

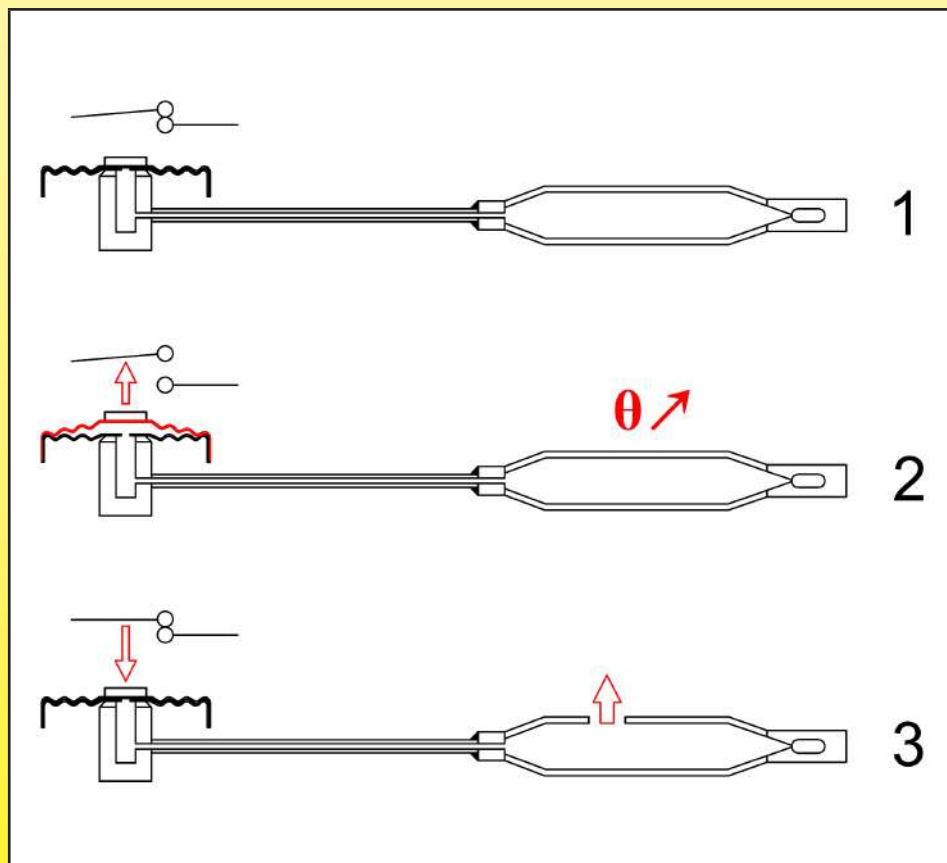
2.4.6 THE "ONE SHOT"

The "one shot" is a type of contact that can only be opened once. Its use is typically that of ultimate safety device, which definitely cut the power supply. Restarting the application needs a full replacement of it. Its number of operating cycles is 1. This function can be performed by metal alloy melting, plastic pellet melting, glass bead break, triggering of a bimetal disc whose return to the starting position is not possible even in the coldest ambient temperatures.

2.4.7 FAIL-SAFE

Fail-safe is a positive auto control of the device. Any leakage or breakage of the temperature sensing device causes the electrical power shut-off. This function is difficult to define in bimetal thermostats (discs, rod, bimetal), but for thermostat using a bulb and capillary assembly, it defines the mode of operation when it leaks.

The fail-safe mechanisms in bulb and capillary thermostats



Diastat Standard Operation:

In position 1: A standard diastat is shown in the starting position, at room temperature.

In position 2: The temperature of the sensor has reached the set point, and the inflation of the bellows caused the opening of the contact, stopping heating.

In position 3: The bulb (or capillary) leaks, the bellows deflates, the electrical contact closes, and the heating is



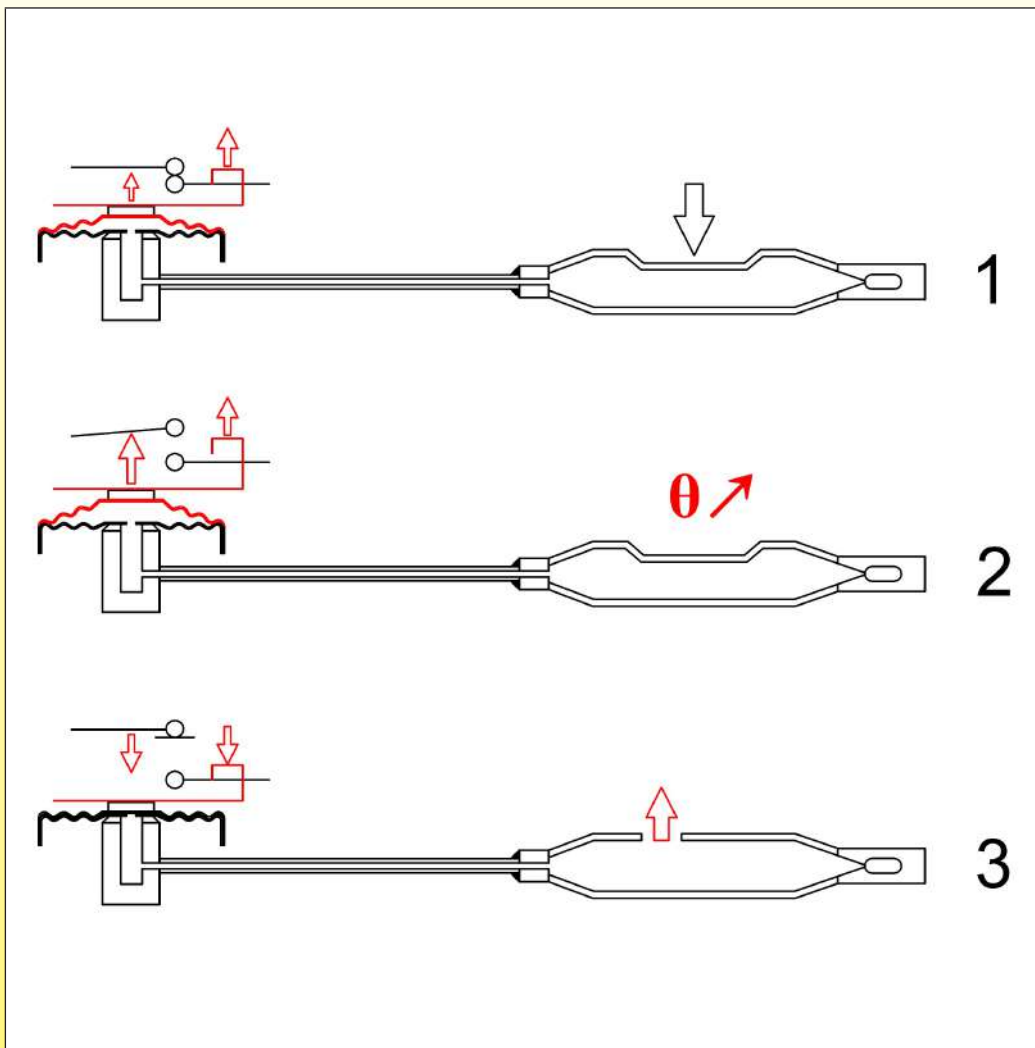
Because of permanent improvement of our products, drawings, descriptions, features used on these data sheets are for guidance only and can be modified without prior advice

switched on again. But no further expansion is transmitted to the bellows, and nothing can stop nor regulate heating. This is the dangerous situation that failsafe systems must obviate.

Positive safety is primarily used on manual reset thermostat, installed after a standard temperature control unit.

There are two fail-safe systems with a different mode of operation, each system having its own advantages and disadvantages.

Liquid expansion type failsafe systems



In these systems, after sealing the diastat at ambient temperature, a small bump is made on the bulb, causing an artificial inflation of the bellows (1). It is also possible to produce the same function by sealing the diastat at a negative temperature (-20, -30°C). By these ways the bellows continues to contract at temperatures below room temperature.

When the temperature on the bulb increases (2), the movable part of the electrical contact is actuated by the bellows. When the bulb or the capillary is leaking (3) the bellows is deflated under the thickness it has at ambient temperature, and an auxiliary mechanism (in red) displaces the fixed part of electrical contact out of reach of the movable part, thereby opening the contact.

This positive safety system allows easy adjustment of the thermostats trigger temperature, because the mechanism is similar to an adjustable thermostat, and calibration can therefore cover the entire temperature range of these adjustable thermostats.

However, it has two issues:

- The artificial increase of the bellows significantly increases the volume of liquid inside thereof, and thus increases its sensitivity to the ambient temperature on the thermostat head.

Examples of calibration point drift on a manual reset thermostat with 1.5 m capillary, calibrated at 90°C

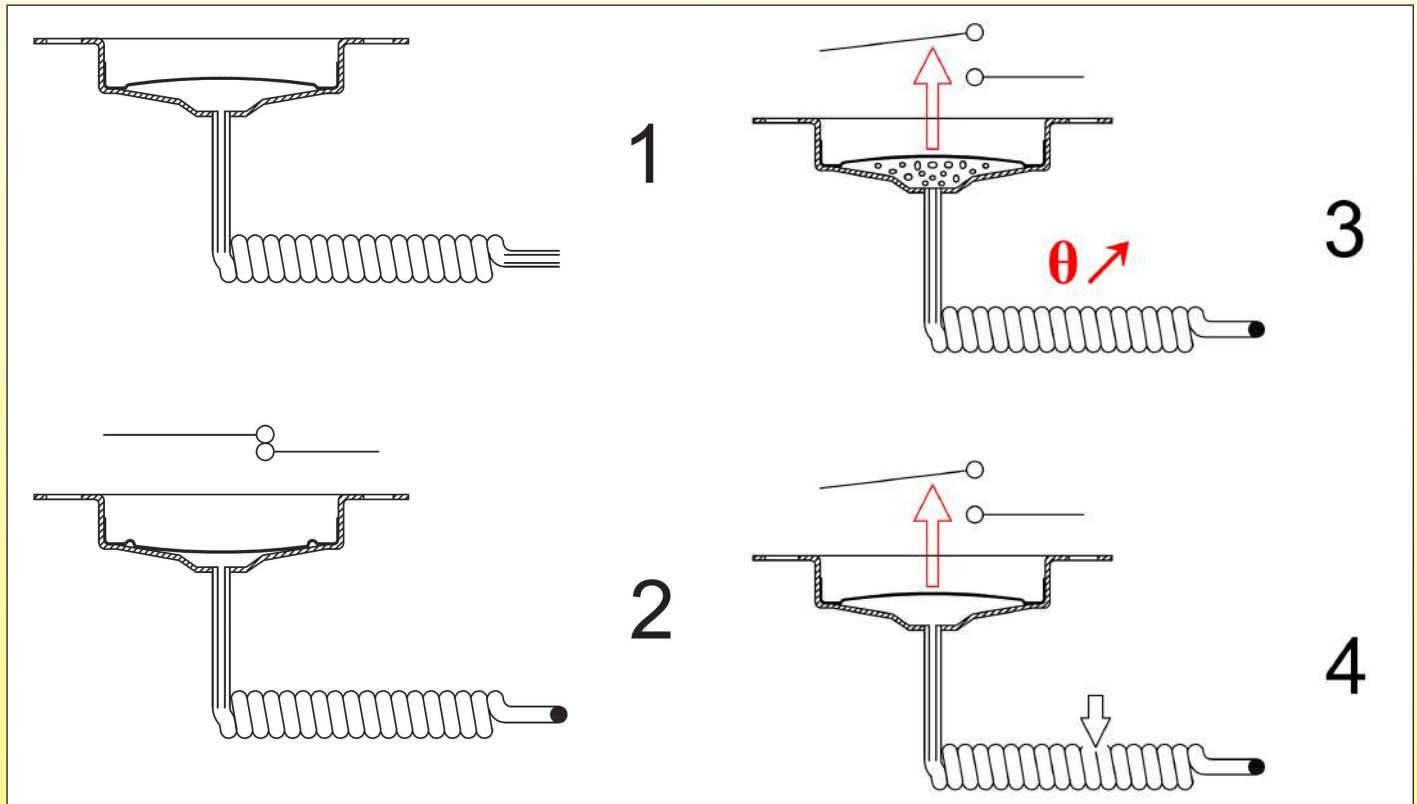
Type of mechanism	Set point drift with head temperature at 0°C	Set point drift with head temperature at 50°C
With fail-safe	90+8.1	90-9.5
Without fail-safe	90+5.5	90-6.5

- When the ambient temperature falls under the freezing point, the bellows continues to contract, and can unexpectedly actuate the safety.

This type of false tripping is supervised by the EN60730 standard, which sets the minimum ambient temperature without tripping at -15°C .

However, when using these thermostats in areas with ambient temperature lower than this limit, it is necessary to warm up the thermostat bulb around 20°C to reset the safety when it has triggered.

Boiling style failsafe systems



In boiling type fail-safe systems, the bellows of the diastat consists of two dishes, one of which is bumped.

This bumping is of convex shape, as a bimetallic disc, and snaps from convex to concave when subjected to a force. The diastat, before filling (1) is constructed so that the cup in the unstressed position is outwardly bulged.

The diastat is then filled with thermostatic liquid under vacuum, then sealed with the cup pushed inwards (2). In this position, the electrical contacts are closed.

In case of temperature rise, the liquid boils at the temperature determined by its composition. The substantial increase in volume caused by the boiling causes the change of shape of the cup, which snaps outwards and opens the contact (3). Upon cooling of the liquid, the force produced by the diastat and required for bumping inwards the cup is insufficient, and it is necessary to press it with a reset button to restore it to its inward form.

In case of punctures or leaks in the diastat, the liquid inside is set to the atmospheric pressure, and the cup snaps outwardly.

This system is particularly simple, reliable, and requires no complicated mechanism. It is not sensitive to the ambient temperature on the capillary or on the head, does not trigger unexpectedly when ambient temperatures are too low.

It has, however, like the previous one, two flaws:

- Triggering temperature depends of boiling liquid used (Generally mixtures of water, glycol and alcohol), and therefore they are practically limited to values between 60 and 170°C .
- They are sensitive to atmospheric pressure and set point varies slightly with altitude.



Because of permanent improvement of our products, drawings, descriptions, features used on these data sheets are for guidance only and can be modified without prior advice

2.5 MULTIPLES CONTACTS

2.5.1 CHANGE OVER CONTACTS (SPDT, for: Single pole double throw)

The changeover contact is a contact with three terminals. They are a common, a normally closed contact and a normally open contact. During actuation, the contact switches from one position to another. This allows for example to switch off the heating and simultaneously turning on ventilation.

2.5.2 SIMULTANEOUS CONTACTS

Simultaneous contacts are independent contacts, with synchronous action.

This is particularly important in cutting a three-phase circuit devices, because the cut of the three phases must be done at the same time.

2.5.3 STAGGERED CONTACTS

These contacts are operated by the same measuring system, but at different temperatures.

2.5.4 NEUTRAL ZONE CONTACTS

These contacts are parts of the staggered contacts, but with no electrical action between their set points. Their particular application is the air conditioning or refrigeration.

For example the contact # 1 switches off the heating at 100°C, the contact # 2 will turn on the vent at 120°C. Between these two temperatures, no action will be required: This is the neutral zone.

2.5.5 ADJUSTABLE DIFFERENTIAL CONTACTS

The differential is the temperature difference existing between the moment the device actuates (opens) a contact and when, as a result of the drop in temperature resulting from its opening action, it resets.

Depending on the type of contact, these differentials can have huge span.

The adjustable differential is a system that allow the user to change it.

For technical reasons and cost, adjustable differential mechanism is reserved for industrial type systems using gas expansion.

2.5.6 MIXED CONTACTS

Mixed contacts by means of a combination of different systems above.

The most common combination is a control and a reset contact, or a control and a one shot contact.

2.5.7 FLAMEPROOF CONTACTS

A flameproof contact is a contact does not allow the electric arc that it produces to ignite an explosion outside its enclosure.

The electrical arc is not deleted.

There is a difference between the devices whose only the electrical contact is protected and those whose entire mechanism is protected.

2.5.8 FLAMEPROOF ENCLOSURE CONTACTS

In these devices only the mechanism of the electrical contact is protected by a flameproof enclosure. The electrical connections are made at the end of a cable secured to the casing of the contact area and must be made outside the hazardous area, or in a suitable connection box.

This solution provides small devices, and low cost.

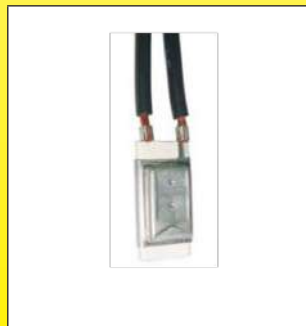
2.5.9 FLAMEPROOF ENCLOSURES

Flameproof enclosures are massive envelopes where the entire device is enclosed. Electrical connections can be made inside the envelope.

3. Thermostats types

3.1 BIMETAL THERMOSTATS

It is currently the thermostats family where quantities are the most important. Numerous configurations exist, and the current trend is simplification and footprint reduction.



3.1.1 FIXED TEMPERATURE BIMETAL THERMOSTATS



Fixed temperature bimetal thermostats are devices whose temperatures are factory fixed, and which have no set point access by the user. They are used, depending on the model, as control devices or safety. The contacts can be slow make or break or snap action, control or reset, normally open, normally close or SPDT. Almost all contact options described above are possible. These devices are divided in two major groups: Those sensitive to the current (which are smaller) and those insensitive to the current.

The most common ranges are set from 20 to 180°C.

However, models with ceramic case can be made up to 450°C, and waterproof models to -30°C.

3.1.2 ADJUSTABLE BIMETAL THERMOSTATS

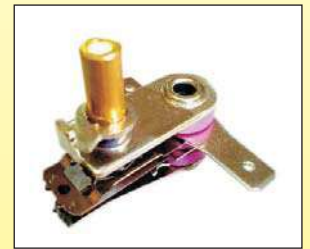
They are adjustable by screwdriver or shaft. Their main applications are in small appliances (deep fryers, irons).

They are always control type devices, using a bimetal strip.

Common temperature ranges are from 20 to 300°C.

They are current sensitive or insensitive depending on models.

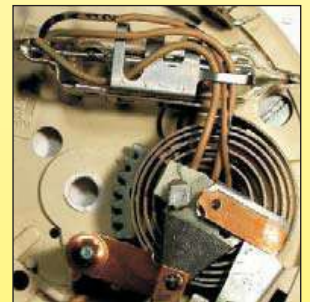
Models with current sensitive bimetal or heated by a resistance, are used in energy regulators.



3.1.3 SPIRAL BIMETAL THERMOSTATS

Bimetallic spirals have been widely used for the production of thermostats. This system is now abandoned by European manufacturers, as it required using a mercury bulb contact, or a slow break contact. There are still only a few manufacturers in the USA, for 110V applications.

These bimetallic spirals (helicoil style) are still used in some air duct thermostats (Called airstats).



3.2 BIMETALLIC EXPANSION THERMOSTATS

3.2.1 CARTRIDGE THERMOSTATS

These control devices, adjustables, slow break, have a very high precision, and the lowest possible differential for a mechanical thermostat: Less than 1/ 10°C. In general, they are mounted in a 15.8mm dia. bore.

However, because of their slow break, generating radio interferences in 230V, their use in Europe is marginal, restricted to uses in some laboratory hotplates. Common temperature ranges are from 20 to 300°C.



3.2.2 CONTACT THERMOSTATS

These control devices, adjustable, slow break, have a very high precision, and low differential: Less than 1°C. They are mounted on a flat wall, fixed by 2 screws.

However, because of their slow break, generating radio interferences in 230V, their use in Europe is marginal, restricted to uses in some laboratory hotplates or when low differential are sought. Common temperature ranges are from 20 to 250°C.





Because of permanent improvement of our products, drawings, descriptions, features used on these data sheets are for guidance only and can be modified without prior advice

3.2.3 BIMETAL ROD THERMOSTATS



It is currently the main application of bimetallic systems. The bimetallic rod actuates a contact system. The setting can be fixed or with a graduated knob. The contacts are control, manual reset or mixed types.

The main applications are:

- Household storage water heaters. They are controlled by a screwdriver adjustment, with single-pole switching thermostat for temperature control, with temperature sensing made by the rod, and double pole switching for the manual reset, with temperature sensing usually made by a bimetal disc located at the bottom of the tank. They are protected by the cover mounted under the water heater.
- In water heaters and industrial tanks. The temperature control devices are then split: One for control and one for safety. They are mounted in IP65 waterproof housings.
- In hydraulic systems, where they are used for oil temperature control. They have 1, 2 or 3 staggered contacts to provide different levels of alert and security.

Current temperature ranges span from -50 to 400°C. However, some special models can reach 800°C.

3.3 LIQUID EXPANSION THERMOSTATS

3.3.1 MERCURY EXPANSION IN GLASS TUBE

This is one of the first thermostat systems, invented after the mercury thermometers. A wire is inserted in the capillary glass tube. When the mercury touches the wire, the contact is established. This type of thermometer has long been the reference instrument for precise temperature control. It has no more serial applications.



3.3.2 BULB AND CAPILLARY THERMOSTAT



This is the most common remote measurement and temperature control. The capillary lengths can be up to 3 meters but with a significant drift due to the amount of liquid within the capillary.

In this series, fail-safe devices may be produced. Current ranges of temperature span from -50°C to 400°C, exceptionally up to 760°C.

3.3.3 LIQUID FILLED ROD THERMOSTATS

This family is a variant of the bimetal expansion rod thermostat. It differs by a greater resistance to vibration but a longer response time. Applications are identical. Current ranges of temperature ranging from -50°C to 400°C, exceptionally up to 760°C.



3.3.4 PIPE THERMOSTATS

These thermostats use a bulb and capillary mechanism, thermostat but with a very short capillary and a bulb beneath the housing on a pipe radius formed plate. The housing has a system for fixing the plate on a pipe.

Usual setting of these control these devices are between 0 and 120°C.



3.3.5 ROOM THERMOSTATS

These thermostats use a bulb and capillary mechanism but with a very short capillary and a bulb located at the side or at the back of the housing. This system is particularly useful for professional and industrial equipment. Current ranges of temperature span from -40°C to 120°C.



3.4. GAS EXPANSION AND VAPOR PRESSURE THERMOSTATS

3.4.1 BULB AND CAPILLARY ROOM THERMOSTAT

These vapor pressure devices are mainly used in electric convector thermostats, due to their low differential and low thermal inertia.

Current temperature range: 4 to 40°C.



3.4.2 "WAFER" ROOM THERMOSTATS

It is currently derived from incubator thermostats used in poultry incubators since more than 50 years. The sensitive part is a barometric type capsule (Named 'capsule de Vidie'), filled with low boiling temperature liquid. They are widely used in household room thermostats. Current Page: 4 to 40°C.



3.4.3 CAPILLARY THERMOSTATS

These thermostats are used for controlling the temperature of the refrigerating systems. The low thermal inertia of the capillary system, and the possibility of obtaining significant differential is the main feature of these vapor pressure devices.





Because of permanent improvement of our products, drawings, descriptions, features used on these data sheets are for guidance only and can be modified without prior advice

3.4.4. BULB AND CAPILLARY THERMOSTATS

They are mainly used in industrial applications because the vapor pressure can achieve quite easily adjustable differential devices.



3.4.5 AIR DISPLACEMENT THERMOSTATS

These devices were using a filament style heating system in a glass bulb partially filled with air and containing mercury. Pushed by the expanding air, the mercury passed through a tube into a compartment containing an electrode with which it established an electrical contact.

This system, coupled with a slow break bimetal thermostat contact avoided contact triggering, and achieved very low differential and high electrical rating. This system, very accurate, very reliable, has completely disappeared.

3.4.6 THERMOMETERS

The gas expansion thermometers are used in industrial applications, they have a low thermal inertia and can be used in high temperatures.



3.5 PHYSICAL STATE CHANGE THERMOSTATS

3.5.1 "CALORSTATS"

They use the wax melting temperature expansion. There is little use of them in systems operating an electrical contact, but they are widely used to provide mechanical movements (Car engine thermostats, radiator thermostats, door locks, valve control).

This system can actuate an electrical contact, or operate a valve to control the flow of water when the temperature changes.

Current ranges from 30 to 150°C.



3.5.2 THERMAL FUSES

This is the main system used in thermal cut out. Millions of these devices are currently produced in the world. It is a highly reliable system, whose operation is safe. The electrical contacts are either cut by the conductor melting (Rating generally limited to 4A) or by melting of a pellet releasing a spring contact (Rating up to 25A).

Current ranges from 60 to 300°C.

The melting part is made of metal or plastic.

This system, known as TCO (thermal cut-off) is the ultimate security system. It is inexpensive.

A variant of these systems are also used in non-electric appliances for releasing a mechanism, in particular in fire detection apparatus.



3.5.3 BOILING THERMOSTATS

The most common thermostat of this type is the failsafe capillary limiter with manual reset.

This system measures the boiling of a liquid contained in a capillary or a bulb at the end of the capillary. Temperature sensing on ± 300 mm capillary is required to operate the contact. For this reason, models often have their capillary curled at the end, with dimensions similar to a bulb. These devices are always fixed temperature types, most of time calibrated within the 50 to 170°C span, and the capillary length is limited to ± 900 mm for transmission of the excess pressure due to the boiling reasons or depression due to the rupture of the capillary.





4. Applications

4.1 THERMOSTATS APPLICATION

Principle	Family	Sub family	Application
Co-laminated bimetals	Fixed setting	Current sensitives	Coils protectors, small appliances, automotive, rechargeable batteries
	Fixed setting	Non sensitives to current	Small appliances, HVAC, refrigeration equipment
	Adjustable setting		Irons, grills, crepes makers
	Spiral		Thermometers, aistats
Double metals	Cartridges Surface sensing		Heating plates, flat heaters, medical equipment
	Rod	For incorporation	Household water heaters
		Professionnals	HVAC
		Industrials	Tanks, Hydraulic power units, heaters
	Explosion proof	Chemical industry	
Liquid expansion	Glass	Laboratory	Various
	Bulb and capillary for incorporation	Appliances OEM	Ovens, cookers, washing machines, dishwashers, boilers
	Bulb and capillary with protection housing	Semi-professionnel	OEMs electro, kilns, ovens, air heaters
	Bulb and capillary with metal protection housing	Industrial and/ or hazardous area, heavy construction	Factories, maintenance, heat tracing
Vapor pressure	Bulb and capillary		Electric heaters, refrigerators thermostats
	Membrane		Household room thermostats
	Air displacement		No more used
Physical state change	Wax		Automotive, hot water central heating
	Compounds melting	Conductor melting	Small appliance, coils, batteries, electronic
		Pellet melting	Household appliances, electric heating, motors
	Boiling	Capillary	Heaters, electric air heaters, heat pumps
Glass bulb		Air conditionning, fire detection	

Because of permanent improvement of our products, drawings, descriptions, features used on these data sheets are for guidance only and can be modified without prior advice



5. Terminology and vocabulary

5.1 VOCABULARY

Standards EN60730 and EN 60335 define, sometimes with differences, the vocabulary to use. However, it is often different from that used in practice.

Usual vocabulary:

Set point: The value set on the temperature control device, corresponding to the temperature to reach.

Differential: The temperature difference between the opening and closing of the contact.

Snap action: Contacts open and close instantly.

Manual reset: Action to turn on by manual intervention, to heating position contacts opened by a temperature rise that did not automatically return to closed position when the temperature drops.

Automatic reset: Contact that is automatically closed when the temperature drops.

Sensing control: Automatic control in which initiation is by an element sensitive to the activating temperature.

Definitions of the different thermostatic systems according to EN60335-1

§3.7.1 Thermostat: Temperature sensing system of which the operating temperature may be fixed or adjustable and which, during normal operation, maintains the temperature of the controlled part within certain limits by automatic opening and closing of a circuit.

§3.7.2 Temperature limiter: Temperature-sensing device, the operating temperature of which may be either fixed or adjustable and which during normal operation operates by opening or closing a circuit when the temperature of the controlled part reaches a predetermined value.

NOTE A temperature limiter does not make the reverse operation during the normal duty cycle of the appliance. It may or may not require manual resetting.

Temperature limiter: Temperature sensing control which is intended to keep a temperature below or above one particular value during normal operating conditions and which may have provision for setting by the user.

A temperature limiter may be of the automatic or of the manual reset type. It does not make the reverse operation during the normal duty cycle of the appliance.

§3.7.3 Thermal cut-out: Device which during abnormal operation limits the temperature of the controlled part by automatically opening the circuit, ... and is constructed so that its setting cannot be altered by the user.

Thermal cut-out: Temperature sensing control intended to keep a temperature below or above one particular value during abnormal operating conditions and which has no provision for setting by the user.

A thermal cut-out may be of the automatic, manual reset or non-resettable type.

§3.7.4 Self-resetting thermal cut-out: Thermal cut-out that automatically restores the current after the relevant part of the appliance has cooled down sufficiently.

§3.7.5 Non-self-resetting thermal cut-out: Thermal cut-out that requires a manual operation for resetting, or replacement of a part, in order to restore the current.

NOTE Manual operation includes disconnection of the appliance from the supply mains.

§3.7.6 Protective device: Device, the operation of which prevents a hazardous situation under abnormal operation conditions.

§3.7.7 Thermal link: Thermal cut-out which operates only once and requires partial or complete replacement.

Fail-safe temperature limiter: The fail-safe in a thermostat is defined by the EN60730-2-9 Standard § 6.4.3.101, as a temperature control device wherein a leakage of the filling fluid does not increase the temperature set point. More generally a system is said to be failsafe, when a loss of fluid (including electricity) leads the equipment to a stable safety state. The safety state must be maintained over time.

Thermostats recommended applications:

IEC (EN) 60730-1 Standards "Automatic electrical controls for household and similar use" and especially IEC (EN) 60730-2-9-(2008): "Particular requirements for temperature sensing controls" are the standards that define the functional characteristics of thermostats. Appendix EE of the latest version of the standard describes all recommended applications for these devices.

5.2 COMMON VOCABULARY USED TO DESIGNATE A THERMOSTAT

Dozens of names are used by the customer to designate thermostats. We can mention:

aquastat, airstat, bimetal sensor, temperature sensor, temperature switch, temperature detector, thermal sensor, thermal switch, temperature limiter, thermal pellet, pellet thermostat, thermal protector, temperature controller, sensor, temperature probe, temperature sensor, thermostat.

Some brands have passed into the vocabulary:

Klixon: Texas trademark instrument means a bimetal disc thermostat.

Combistat: Stork trademark refers to a contact thermometer.

Vigitherme: Heito trademark refers to a thermostat bimetal disc.

Ipsotherm: Comepa trademark refers to a thermostat bimetal disc.

Calorstat: Brand used by Vernet thermostat, refers to an automotive water circuit valve.



6. Important extracts of standards related to control or safety circuits

Electrical cut out: (IEC 60335-1)

§3.8.1 All-pole cut out: Cutting in two conductors in a single operation, or for three phase units, the cut of the three conductors in a single step... Note: For three-phase, the neutral lead is not considered as a power conductor.

§22.2: Phase cut out: Single pole protection systems cutting heating elements in single pole circuits of Class 01 devices and continuously connected Class 01 devices, must be connected to the phase conductor.

Electrical conductors colors: (IEC 60446)

§3.1 ... For the identification of leads the following colors are allowed: Black, brown, red, orange, yellow, green, blue, purple, gray, white, pink, turquoise.

§3.2.2 Neutral conductor or center conductor: When a circuit includes a neutral conductor or neutral conductor identified by color, the color used for this purpose should be blue...

Note 2 – In the United States of America, Canada and Japan, identifying with white or natural gray colors for the neutral conductor or center conductor is used as a replacement for the identification by the light blue color.

§3.2.3 AC phase conductors: Black and brown colors are the favorite colors for the phase conductors of AC systems.

§3.3.2 Conductor protection: The two-tone green-and-yellow combination must be used for identification of the protective conductor to the exclusion of any other use. The green-and-yellow is the only recognized color scheme for the identification of the protective conductor.

Note 2 – In the United States of America, Canada and Japan, identifying with green color for the protection conductor is used as a replacement for the identification by the two-tone green-and-yellow combination.

Fail-safe, functional safety, safety levels:

It is required by the European Directive 97/ 23 dealing with heat generators, pressure equipment and boilers as follow: “The procedures for conformity assessment and the essential safety requirements of the Directive apply to the complete safety chain. The requirements for the sensor itself can be different according to the safety design principles, for instance: Redundancy or fail-safe”. Many “product” standards of the IEC (EN) 60335-xxx series require this type of safety.

Definitions related to the functional safety: This concept was introduced by the CEI 61508: 1998 Standard. “Functional Safety for electrical/ electronic and programmable electronic (E/ E/ PES) systems”. This standard defines the requirements and provisions for the design of electronic and programmable complex systems and subsystems. This is a general standard that can be used in all industrial sectors. The categories of protection of industrial heating equipment have been classified into three levels by the old EN 954-1 Standard.

Level 1 includes mainly the process control instrumentation: Temperature sensors, thermostats, controllers, programmers. This level provides a control either permanently or in a sequence by programmed commands initiated by the operator (for example: Control disc, bimetal, bulb and capillary thermostats, electronic temperature controls).

Level 2 consists essentially of an instrumentation composition close to that of level one, but functionally completely independent of this level.

This level 2 protects the process by a discontinuous unsystematic function, that is to say not initialized by the operator, from threshold violation information on critical parameters of the process.

(For example, disc thermostat + disk limiter, bulb and capillary temperature limiters + bulb and capillary thermostat, double electronic controllers).

Level 3 is the ultimate protection of the process. It does not include identical instrumentation to those of Level 1 and 2, but devices working without auxiliary energy (for example: Fixed temperature limiters with manual or automatic reset on circuits controlled by electronic controllers, thermal fuses for systems controlled by disc or bulb and capillary thermostats, or by electronic controllers).



7. Installation

The proper functioning of a thermostat depends primarily on the correct choice of the component, but also the conditions of its installation. Conditions used to calibrate regulating and control equipment in the factory are always ideal laboratory conditions, ensuring measurement accuracy and repeatability. These conditions are rarely those found in practice when installing thermostats. However, with a minimum of constraints, it is possible to optimize assemblies.

One's will always bear in mind these two essential rules:

- A thermostat measures the temperature where the sensing element is located, and it is therefore necessary that this place is representative of the temperature that must be controlled.
- The thermal inertia is the most common causes of poor regulation. A thermostat does not have an instant response to a temperature change.

7.1 GENERAL RULES

• THERMAL CONDUCTIVITY

The temperature of a medium (liquid, air, metal) decreases progressively as the distance from the heat source. This decrease, called thermal gradient is inversely proportional to the thermal conductivity of the medium. For good temperature control, first step is to make this decrease as low as possible: By stirring the liquid, stirring the air, using metals that are good conductors of heat.

In unstirred liquid baths, thermal variations that rise several tens of degrees between different measurement points are quite common. It is the same in the air.

• RESPONSE TIME

Practically speaking, the time taken by a device to change temperature is proportional to its mass and inversely proportional to its thermal conductivity.

Subject to the same variation of temperature, a large block of copper takes longer to heat up than a little. A block of pure silver of the same weight will react much more quickly.

In one room, sun exposure will raise rapidly the temperature of the ambient air because its mass is low, but the walls will react much more slowly because they are much more massive, even if their thermal conductivity is higher. Therefore, to control the air conditioner, make sure that the thermostat measure the temperature of the air and not of the walls.

Thermal conductivity of some materials

Materials	Thermal conductivity at 20°C (W•m-1•K-1)	Materials	Thermal conductivity at 20°C (W•m-1•K-1)
PU foam	0.025	Titanium	20
Air (atmospheric pressure)	0.026	304 Stainless steel	26
EPS	0.036	Mild steel	46
Fiber glass wool	0.043	Platinum	72
Cork	0.043	Iron	80
Wood (Average)	0.16	Cast iron	100
Abestos	0.17	Silicium	149
Epoxy	0.25	Aluminum alloy (with SiC)	150-200
Nylon	0.25	Pure aluminum (99.9%)	237
PPS (Ryton)	0.3	Massive silicium carbide	250
Vulcanized rubber (EPDM)	0.4	Gold	317
Water	0.63	Copper	390
Concrete	0.92	Silver	429
Glass	1.23	Graphite	500-2000
Bakelite	1.42	Diamond	1000-2600
Quartz	10	Graphene	4000-5300

It is easily possible to see that if a thermal gradient takes 1 second to be transmitted in a silver part, it will take 1.1 seconds in copper, 2.5 seconds in aluminum alloy, 4.3 seconds in iron, 6.3 seconds in mild steel, 16.5 seconds in stainless steel, 680 seconds (more than 11 minutes) in non-stirred water and 16500 seconds (more than 4 hours) in still air.

• TIME NEEDED TO HEAT

An issue frequently raised, and that many consider as associated with thermostats is the time it takes to heat a product. In fact, at constant power, the amount of heat (energy) required to heat a product depends on its mass and its heat capacity, and not on the thermostat.

Specific Heat capacity (or specific thermal capacity) is the energy it takes to bring a body to raise its temperature by one degree kelvin for a mass of one kilogram. It is expressed in joules per kelvin per kilogram (J/ K). It originates from the "calorie" that was defined as the amount of heat required to raise 15°C to 16°C the temperature of one gram of water.



The table below gives some common values:

Materials	Specific heat capacity ($J \cdot kg^{-1} \cdot K^{-1}$)	Materials	Specific heat capacity ($J \cdot kg^{-1} \cdot K^{-1}$)
Gold	129	Granite	800
Silver	240	Concrete	880
Brass	377	Aluminum	897
Copper	385	Dry Air	1005
Iron	444	Wood	1760
Diamond	502	Olive oil	2000
304 Stainless steel	510	Alcohol	2450
Graphite	720	Liquid water	4180

One can easily notice that the same power, whether 600 seconds are needed to heat one kilogram of water, it will take only 290s for oil, 145s for air, 73s for stainless steel, 55s for copper, and 18s for gold. The heat capacity is an extremely important parameter in the definition of a thermal system.

• OVERHEAT AND HEAT ACCUMULATION

Many heating systems accumulate heat before transmitting it to the environment.

This is especially the case with sheathed heating elements, where heating wires are coated with magnesia, and then covered with stainless steel tube. Before the stainless steel sheath begins to warm, the entire interior of the heating elements has heated up.

When the power is then turned off, the heat accumulated inside will continue to dissipate, and the temperature of the outer shell will continue to rise. A temperature control which regulate by measuring the temperature of the outer shell will be false.

7.2 WALL AND PIPE MOUNTING THERMOSTATS

These thermostats are intended to be mounted on walls. This covers bimetal disc thermostats, with or without bracket, and pipe formed models.

The following requirements must be respected:

- In the case of thermostats with a flat sensitive part, the mounting wall must be flat. In particular, if it is needed to measure the temperature of a small diameter tube, it is mandatory to weld or solder a heat conductive part made of copper or brass on the tube surface, with a flat surface on the side facing the thermostat.
- In the case of thermostats whose sensitive part is curved to match the shape of the wall (tanks, pipes): Use thermal contact grease between the thermostat sensing face and the wall, insulate the thermostat body to limit the influence of the ambient temperature, have in mind that the whole thermostat must withstand the maximum or minimum temperature of the wall. Check if these temperatures are compatible.

7.3 AIR DUCTS THERMOSTATS

Thermostats must be installed in an area where there is good air circulation. Avoid corners, angles. The thermostat should be located close to the heating element (or cooling) to be quickly influenced by temperature changes. The extended bracket disc thermostats must be mounted on a wall that is not influenced by a temperature other than that of the air stream.

Attention to the use of bimetallic rod thermostats in air ducts: These devices generally have very fast response time to temperature changes, and some models are not suitable for use as safety device because they trigger too fast.

7.4 ROD THERMOSTATS

Rod thermostats should be mounted on fittings provided for this purpose. The rod cannot be bended, welded, soldered, and no external device must hinder the rod expansion.

The whole sensitive part of the rod must be immersed in the air or liquid that it must control.

Do not mount the thermostat on a stack of fittings and rod must be in an area representative of the temperature of the tank. Avoid areas without natural convection or no stirring.

Whatever the installation, the thermostat head must not exceed the maximum allowable temperature. In particular, when mounting thermostats on high temperature equipment, the head must be kept away from hot walls.

Use pockets adapted to the rod diameter, and do not hinder expansion movements. If you want to get accurate settings and low differential, put thermal grease between the pocket and the rod.

7.5 BULB AND CAPILLARY THERMOSTATS

The bulb and capillary thermostats are provided to measure the temperature with the bulb located inside the medium to control. However, the capillary and the rest of the diastat are influenced moderately by temperature. It is therefore important not to expose them to temperatures too high, and in particular never exceed the maximum allowable temperature of the thermostat head. Capillaries and in particular capillary junctions with bulb are fragile

Because of permanent improvement of our products, drawings, descriptions, features used on these data sheets are for guidance only and can be modified without prior advice



and care must be taken not to bend capillaries with a radius smaller than 5mm, or near the bulb. Breakage or leak of the capillary after sharp bending voids any warranty on the equipment. Overheating bulbs or capillaries on liquid expansion models cause unwanted boiling of the liquid and the destruction of the thermostat. Cutting or drilling capillary or bulb destroys the mechanism, and the thermostat does not stop heating when the temperature rises, if this risk is important in your application, be sure to use failsafe thermostats.

7.6 WINDINGS THERMOSTATS

Windings protectors must be installed to measure the fastest way the temperature rise of the winding. They must not be bended or distorted during installation inside the coil. Before to be incorporated into windings that must later be impregnated by resin or varnish, ensure that these thermostats support these operations. Our office is at your disposal to give you technical advice.

Calibration temperatures warning: Thermal protectors are calibrated at zero current and their operating temperature is sensitive to current. In your application, depending on the current rating of your device, their set point can be shifted down. Use thermostats drift curves to define thermal drift temperatures. Many thermal protectors have metal enclosures electrically alive. Be sure to install them safely, with proper electrical insulation and not in contact with grounded or accessible parts. For these devices, class 1 and class 2 electrical insulation sleeves can be provided on request.

7.7 THERMAL CUT OUT

Thermal fuses are the components the most susceptible to wrong installations.

Their terminals are heat conductors: Welding or soldering them can cause the fuse to open by thermal conductivity. Do not make soldering at less than 15mm of the housing. The soldering duration shall not exceed 3 seconds. Terminals wires are also sensitive to strength and torsion. Be careful not to apply significant forces (1.3 N max). Bending terminal wires should be preferably made with a wire bending machine. Do not bend or crimp at less than 5mm from the body. Do not crush the body.

Sensitivity to temperature: Thermal fuses must not remain continuously exposed to temperatures that are too close to their cutoff temperature. Respect the maximum allowed permanent temperature given in technical data sheets. They are also sensitive to current and can trigger by Joule effect if the rating is too high.

7.8 VAPOR PRESSURE BULB AND CAPILLARY THERMOSTATS

These thermostats are particularly sensitive to the position of the capillary or of the bulb relative to the thermostat head. Observe the position indicated on the data sheets for each device.

7.9 EXPLOSION PROOF THERMOSTATS

The explosion-proof devices require special care during assembly. A specific mounting and assembly instruction manual is supplied with each unit.

- Explosion-proof enclosures: These housings are designed to withstand an explosion occurring within the housing. It is therefore important to take particular care that the screws of the cover (these screws cannot be replaced by others models with different mechanical resistance), to ensure the cleanliness of the sealing surfaces, not drill holes in the boxes, not to replace original cable glands by others, properly tighten the cable glands, ensuring that their gasket is adapted to the diameter of the cable used.
- Explosion proof Switches: In thermostats using this system, only the electrical part of the switch mechanism is enclosed in a flameproof enclosure. By this way, the outer casing of the thermostat does not provide explosion protection, but only requires at least IP65 ingress protection. Electrical connections must be made on the cable coming out of the unit, outside the hazardous area or in a suitable junction box.

Liquid filled diastats comparative life tests



Set of diastats mechanical life test automatic equipment. Each equipment is equipped with a data recorder of testing parameters and number of cycles. (Ultimheat laboratory).

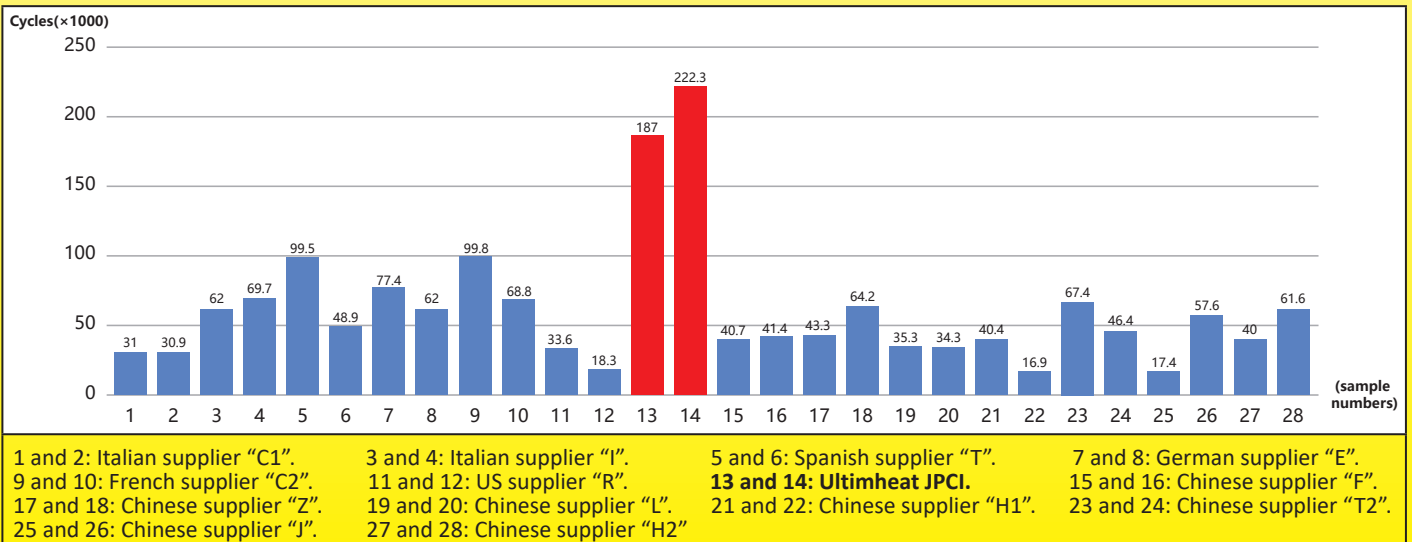
The measuring element of bulb and capillary thermostats is the thermostatic assembly, also called “diastat”, (an original brand of the Diatemp company of Saint Louis in the USA, which was one of the first producers of these subassemblies.)

The diastat transforms the expansion of the liquid into mechanical displacement that can be used to actuate an electrical contact or a valve.

In most temperature control thermostats, the life of the electrical contact required by the standards must be greater than 100,000 cycles. The diastat must therefore also withstand this number of cycles.

In our laboratory, certified UL and EN (TUV), we have carried out comparative life tests of similar diastats, with membranes of the same diameter, from various countries and manufacturers. These tests simulated temperature cycles, in absolutely identical conditions, under the same load, and producing the same mechanical displacement of the membrane, in extreme operating and overheating conditions.

They demonstrate that the care taken by JPCI in the design of the membranes, the choice of materials and their heat treatments are critical parameters having a major influence on the service life. The table below compares the number of cycles reached before fatigue failure of thermostatic assembly. 2 samples of each origin were tested.



Because of permanent improvement of our products, drawings, descriptions, features used on these data sheets are for guidance only and can be modified without prior advice



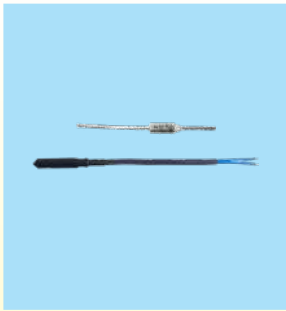
Because of permanent improvement of our products, drawings, descriptions, features used on these data sheets are for guidance only and can be modified without prior advice

Description of temperature controls and temperature control systems used in this catalog



Because of permanent improvement of our products, drawings, descriptions, features used on these data sheets are for guidance only and can be modified without prior advice

Because of permanent improvement of our products, drawings, descriptions, features used on these data sheets are for guidance only and can be modified without prior advice



Thermal fuses (also called TCO, for Thermal Cut Off)

The thermal fuse cut-outs are composed of a contact mechanism triggered by melting of a metal or plastic pellet. They open irreversibly an electrical contact at a given temperature. Their trigger point should be selected according to the normal operating temperature and sufficiently distant from it to avoid false triggering. Their installation is hard to perform. JPCI has developed a range of 16A 250V cut-offs which are wired and silicone insulated. They allow easy mounting in pockets



Disc thermostats

Used as control thermostats or as a safety thermostat with manual reset, these thermostats have a disc made of two different metals laminated together for temperature sensing element. These two metals have different expansion coefficients. Therefore a dome bumped disc will gradually change shapes with increasing temperature until it suddenly snaps from concave to convex. It also comes back with a snap action to its original form when temperature drops. This sudden change activates a contact blade. These thermostats exist with one, two or three pole contacts. Technology to obtain accurate temperatures and low differentials is complex and few manufacturers offer accurate values and low differentials. JPCI is one of the very few manufacturers offering three poles models.



Bulb and capillary control thermostats

Bulb and capillary thermostats sensing device, usually named "Diastat" is a closed chamber made of a bulb, a capillary and a bellow made of two membranes, filled under vacuum with liquid. When temperature around the bulb increases, the liquid volume expands and inflates the membrane. This displacement is used to actuate a snap-action switch mechanism. A threaded shaft, used to modify the bellow position allows temperature adjustments. In standard devices (not fail-safe), when a leak occurs in the diastat, the bellow deflates and electrical contacts remains closed when the temperature rises. The most common ranges go from -35 to +320°C. Higher set points up to 750°C are possible but they require capillary liquids that withstand these temperatures without boiling. JPCI is one the very few companies manufacturing these models. These high temperature versions (ranges above 400°C) use a liquid metal as filling liquid, usually a Sodium Potassium eutectic. In case of breakage or leak of the diastat, this liquid is flammable on contact with water or atmospheric moisture. It is therefore necessary to take this point into account in their applications. The capillary thermostats are subject to drift due to temperature variations on the capillary and the bellows. The bulb and capillary thermostat differential is usually not adjustable, and is about 5% of the temperature range. They are available in single pole or three poles versions.



Invar Rod thermostats for temperature control

These thermostats are the oldest systems of temperature control, and the first of them was invented by French engineer Jean Simon Bonnemain in 1783. They use the differential expansion of two metals to activate a mechanism. They are widely used in storage water heaters and in boilers. Their calibration is not subject to ambient temperature variation drift such as liquid expansion bulb and capillary thermostats. They are available with control action or manual reset action. Their specificity is that the measuring rod is secured to the adjustment head and electrical contacts.

Current models, using a brass or stainless steel tube and invar rod, have measuring ranges between -50 and +400°C.



Bulb and capillary thermostats with explosion proof electrical contacts

Built on the same mechanical basis than the standard thermostats, and achievable within the same temperature ranges, these thermostats use an explosion-proof micro switch which is a unique design concept developed by JPCI more than 25 years ago. The advantage of this system is to avoid heavy and expensive IIB or IIC metal boxes, and to allow temperature set point adjustment without need to switch off the electrical power supply.

The most recent versions include various increased safety enclosures with connection blocks and are described in the catalogue N°4

Electrical rating is 25A 250V, SPDT

Because of permanent improvement of our products, drawings, descriptions, features used on these data sheets are for guidance only and can be modified without prior advice



Liquid expansion bulb and capillary cut-outs with fixed temperature setting

These devices operate on a principle similar to the liquid expansion bulb and capillary thermostats and are not adjustable. They include a reset button to close the electrical contact when it has opened after a temperature rise.

There is one variant of these cut out, with a fail-safe mechanism. It automatically opens the contacts if the capillary or bulb are leaking or cut.

The diastat membrane is artificially inflated. Leakage causes the bursting of the membrane below its nominal thickness at room temperature, and a special mechanism will detects the abnormal displacement, which is similar to a very low ambient temperature sensing. The disadvantage of this system is that these fail-safe limiters also switch off when the ambient temperature drops below a certain value, generally between -10 and -20°C.

The artificial inflation of the membrane also greatly increased the volume of liquid it contains, thus makes them highly sensitive to temperature, with temperature drifts up to 0.3 °K/ °K.

They are available in single pole, two, or three poles versions. They usually only have open on rise contacts. The model 86 has 3 poles change over contact.



Liquid expansion bulb and capillary cut-outs with adjustable set point

These devices operate on the same principle as the control thermostats, but feature a reset button to close the electrical contact when it opened after a temperature rise. They can be used as an overheating safety system behind a mechanical thermostat or an electronic controller. JPCI is one of the few manufacturers offering this kind of thermostats with the same adjustment ranges than the control thermostats, and a change-over contact (which enables to signal a defect without relaying), and with ranges up to 750°C.



Limiters bulb and capillary fixed temperature, vapor pressure (also called boiling)

These devices operate on a different principle than liquid expansion thermostat. They use a simple mechanism, invented 50 years ago, combining the snap action of a bumped disc actuated by the huge pressure increase due to the boiling of liquid in a closed chamber. This design concept provides very simple mechanisms. Technology lies in the selection of liquids with different boiling points. Operating temperatures ranges are linked to the liquid used and its boiling temperature. Capillary length is also limited due to pressure losses induced during boiling, hindering its operation.

It is necessary that a relatively large volume of liquid must boil to cause the membrane tripping. This is the reason why the capillary end measuring temperature is spiraled. If the capillaries are not spiraled, at least 30cm of it must be immersed in the controlled liquid. They are never adjustable and have a reset button to switch one the electrical contact when it is open as a result of an increase in temperature. As the filling is carried out under vacuum, a leak in the diastat triggers the mechanism. Unlike liquid filled systems sensitive to changes in temperature, they do not trigger when the temperature drops below a limit. However, they are slightly sensitive to changes in atmospheric pressure, which limits their use in altitude. They are available with single pole, 2 and 3 poles contacts. They usually have open on temperature rise contacts.



Combined controls including a single-pole adjustable temperature thermostat with liquid expansion and a two poles capillary limiter with fixed temperature and fail-safe.

These devices operate on the same principle as the temperature control thermostats, but have a double measuring system, one with liquid expansion used for control, the other with boiling actuating a limiter with manual reset. They have an adjustment shaft for control set point, and a button allows to reset the electrical contact of the safety, when it has opened following a temperature rise. The safety threshold setting is fixed. The contacts are only open by temperature rise.



Combined three pole bulb and capillary thermostat with adjustable set point and fixed setting fail-safe cut-out, using liquid expansion

These devices operate on the same principle as the control thermostats, but feature a double bulb, one used for the control, the other for the manual reset. They have an adjustment shaft for the control, and a manual reset button allows switch on again the safety electrical contact, when it opened after a temperature rise. The safety set point is factory fixed. The contacts are open on temperature rise only.

These models have a strong drift when the ambient temperature of the head varies, up to 0.3 °K/°K. For example if there is a variation in ambient temperature of 10°C on the thermostat head, the set point drift can be as 3°C.

Electronic temperature control



“ Universal” blind electronic thermostats

These products, developed by JPCI, offer an intermediate solution between electromechanical thermostats, whose they retain adjustment ranges, the fixing by two screws with 28mm distance, the 16A 250V rating, the on-off action, and with which they are generally interchangeable, and electronic regulators with digital display. All common temperature ranges can be set by dip-switch.

The adjustment axes are snap-on and several lengths are supplied as standard.

They are inexpensive, allow measurements at greater distances than bulb and capillary thermostats, offer greater precision and the possibility of adjusting the control differential. In addition, they offer the possibility of being used as limiters with manual reset by simple action on a dip-switch.

A single model can therefore replace most single-pole thermostats



Electronic thermostats with digital display

These products, developed by JPCI offer an easy to use electronic solution, with a digital display. From the electromechanical thermostats, they retain the electrical rating, the ON-OFF action, and ease of use.

They are inexpensive, and they allow, in addition to displaying the measured temperature, measurements at distances larger than the bulb and capillary thermostats, greater accuracy and the ability to adjust the differential temperature.

Note about DC applications

For specific DC heating applications, mainly in railway systems, JPCI has developed some contacts magnetic blowing devices. They can be applied to some models of thermostats (e.g.: Disc thermostats, surface thermostat, bulb and capillary thermostats, rod thermostats), with electrical rating up to 230V DC and 16A, providing a long electrical life (exceeding 100,000 cycles). These developments are subject of specific studies on a case by case basis.

This catalogue No. 1 describes the basic thermostats and limiters. You can find these thermostats incorporated in a range of different housings in catalogues No. 2 and No. 3.

A complete range of thermostats and limiters for applications in explosive gas or dust environments has also been developed and is available in catalogue No. 4



Because of permanent improvement of our products, drawings, descriptions, features used on these data sheets are for guidance only and can be modified without prior advice



References list



Because of permanent improvement of our products, drawings, descriptions, features used on these data sheets are for guidance only and can be modified without prior advice

References list



Because of permanent improvement of our products, drawings, descriptions, features used on these data sheets are for guidance only and can be modified without prior advice

Reference	Reference	Reference	Reference	Reference
4911NP03308CL6HF39	4911NP12514DL6VM37	664CLR030	66MU****	820070100AI610F1
2DNAP6FA	4911NP15023EL6VM37	664CLR114	66MZ****	820080110AI610F1
2DNAP6FB	4911SU04511CL6HF39	668I3PCBA	66MZ0000010502FW	820090120AI610F1
2DNAP6FI	4911SU04511CL6HM37	668I3PCBP	66MZ006*****	820110140AI610F1
2DNAP6FJ	4993AJ00805HCSV0	66BF1	66MZ0060000107FW	820130160AI610F1
2PE2P6	4993AZ00805HL6H0	66BF2	66MZ0060000107FX	820150180AI610F1
2PMR100	4993AZ01006CL6MF	66BF3	66MZ0060000602FW	820170200AI610F1
4903EJ00905CCSV037	49JE	66BR01	66MZ0060000602FX	83A060090N026199
4903EJ00905CCSVM37	4C504T070RMEM60D	66BR02	66MZ0060000902FW	83A060090N056199
4903EJ01006CL6H0	4C504T075RMEM60D	66BR03	66MZ0060000902FX	83A060090N096199
4903EJ01006CL6MF	4C504T080RMEM60D	66CG12**	66MZ0060040402FW	83A070100N026199
4903EJ01006CUSV0	4C504T085RMEM60D	66CG5	66MZ0060040402FX	83A070100N056199
4903EJ01808CL6VM37	4C504T090RMEM60D	66CP01	66MZ0060040407FW	83A070100N096199
4903EJ04010CCSVF44	4C504T095RMEM60D	66CP02	66MZ0060040407FX	83A080110N026199
4903EJ04512CL6V037	4C504T100RMEM60D	66CP03****	66MZ0060100702FB	83A080110N056199
4903EJ04512CL6VM37	4C504T105RMEM60D	66CP04****	66MZ006010070AFB	83A080110N096199
4903EJ05010DCSVF47	4C504T110RMEM60D	66DA0008050400	66MZ0060100802FB	83A090120N026199
4903EJ05010DL6VM39	4C504T120RMEM60D	66D112****	66MZ006010080AFB	83A090120N056199
4903EJ05510DCSVF44	4C504T130RMEM60D	66DK12****	66MZ0060201257FW	83A090120N096199
4903EJ06010CL6HM37	4C504T140RMEM60D	66DL14P****	66MZ0060201257FX	83A110140N056199
4903EJ06010CL6VM37	4C504T150RMGM60D	66DR12510021C000	66MZ0060300852FB	83A110140N096199
4903EJ06010DCSV037	4C504T160RMEM60D	66DU****	66MZ006030085AFB	83A120150N056199
4903EJ06010DCSVF34	4R05EJ050RMDCSV047	66EN1	66MZ0060300901FW	83A120150N096199
4903EJ06010DCSVM37	4R05EJ055RMCCSVF41	66EN2	66MZ0060300901FX	83A130160N056199
4903EJ06015DCSVF34	4R05EJ055RMCCSVF44	66EN2**	66MZ0060301101FW	83A130160N096199
4903EJ06510CL6V037	4R05EJ065RMDCSVF44	66EN3	66MZ0060301101FX	83C060090N0261S9
4903EJ06510DCSVF47	4R05EJ070RMDCSVM47	66EN4	66MZ006031101FX	83C060090N0561S9
4903EJ06510DL6VF39	4R05EJ075RMDCSVF44	66EN4**	66MZ0060501582FY	83C060090N0961S9
4903EJ07010CL6VF37	4R05EJ075RMDCSVM47	66EN5	66MZ006050158AFY	83C060100N0261S9
4903EJ07010DCSVF34	4R05EJ085RMDCSVF44	66EN6	66MZ0060501762FY	83C060100N0561S9
4903EJ07020DL6VM37	4R05EJ090RMDCSVF44	66GA2890K	66MZ006050176AFY	83C060100N0961S9
4903EJ07510DCSVF34	4R05EJ090RMDL6VM37	66KG3635*	66MZ0060502001FW	83C080110N0261S9
4903EJ07510DCSVF44	4R05EJ120RMDCSVF44	66MA****	66MZ0060502001FX	83C080110N0561S9
4903EJ08016DL6HM37	4R05NJ150RMEL6HM37	66MB****	66MZ0060503001FW	83C080110N0961S9
4903EJ08818DL6VM37	4REMRR055DBSY100	66MB0600000010MW	66MZ0060503001FX	83C090120N0261S9
4903EJ09510CCSVF44	4REMRR065DBSY100	66MC****	66MZ0060861852FY	83C090120N0561S9
4903EK07010CL6VM37	4REMRR075DBSY100	66MD****	66MZ006086185AFY	83C090120N0961S9
4910NP15514EL6VM37	4REMRR085DBSY100	66ME****	66MZ0061004007FW	83C110140N056199
4911NP01006CL6H0	4REMRR090DBSY100	66MF****	66MZ0061004007FX	83C120150N056199
4911NP01006CL6MF	4REMRR120DBSY100	66MG****	66MZ006-100402FW	83C120150N096199
4911NP01006CUSV0	5MA3SPF070F18500	66MH****	66MZ006-100402FX	83C130160N056199
4911NP03806CCSV037	5MA3SPF077F18500	66MI****	66MZ0061005007FW	83C130160N096199
4911NP03806CCSVM37	5MA3SPF084F18500	66MJ****	66MZ0061005007FX	85080QB6610TF000
4911NP03806CL6V037	5MA3SPF091F18500	66MK****	66MZ0061005009LW	85080QB66BETF000
4911NP04010DCSV037	5MA3SPF096F18500	66ML****	66MZ0061005009LX	85090QB6610TF000
4911NP04010DCSVM37	5MA3SPF106F18500	66MM****	66MZ006-350352FW	85100QB6610TF000
4911NP05010CL6H037	5MA3SPF109F18500	66MM006000102FB	66MZ006-350352FX	85130QB6510TF000
4911NP05010CL6HF39	5MA3SPF121F18500	66MM0060040402FB	66MZ006-350357FW	85150QB6510TF000
4911NP05510DL6HF37	5MA3SPF129F18500	66MM0060040402FY	66MZ006-350357FX	85175QB4410TF000
4911NP06010CL6H037	5MA3SPF139F18500	66MM0060300901FB	66RCM	85220QB4410TF000
4911NP07010DCSV037	5MA3SPF152F18500	66MM0060300901FY	66RCM2B00010N1C0	85270QB4410TF000
4911NP07010DCSVM37	5MA3SPF165F18500	66MM0060503001FB	66RCM2F00010N1C0	85300QB4410TF000
4911NP07010DL6H037	5MA3SPF169F18500	66MM0060503001FY	66RF0231M12	86080QB6610TF000
4911NP07010DL6HF39	5MA3SPF182F18500	66MN****	66RF07015	86080QB66BETF000
4911NP07510DCSV037	5MA3SPF188F18500	66MP****	6Y4903RESET90	86090QB6610TF000
4911NP07510DCSVM37	5MA3SPF216F18500	66MQ****	6YBUR001	86100QB6610TF000
4911NP08010DL6H037	5MA3SPF227F18500	66MR****	6YEBSG002	86130QB6510TF000
4911NP09015DCSVF39	5MA3SPF240F18500	66MS****	820060090AI610F1	86150QB6510TF000

References list



Reference	Reference	Reference	Reference	Reference
86175QB4410TF000	8GB000060AA80001	8IAA70B90M005B0S	8XA080110N096199	9BBZM1000210003A
86220QB4410TF000	8GB000060AO60001	8IAA70B90M002B0S	8XA090120N026199	KOA000060620V
86270QB4410TF000	8GB000090AO60001	8IAC70B90M009B0S	8XA090120N056199	KOA000100820V
86300QB4410TF000	8GB004040AA60001	8IAC70B90M005B0S	8XA090120N096199	KOA000200A20V
87080VB6610QF000	8GB004040AA80001	8IAC70B90M002B0S	8XA110140N056199	KOA000300C20V
87080VB66BEQF000	8GB004040AO60001	8IA075B98M009B0S	8XA110140N096199	KOA004040420V
87090VB6610QF000	8GB004040AQ30001	8IA075B98M005B0S	8XA120150N056199	KOA004040520V
87100VB6610TF000	8GB030090AA80001	8IA075B98M002B0S	8XA120150N096199	KOA030090700V
87130VB6F10TF000	8GB030090AO60001	8IAA80B98M009B0S	8XA130160N056199	KOA030110900V
87150VB6F10TF000	8GB030110AA80001	8IAA80B98M05B0S	8XA130160N096199	KOA050200B00V
87175VB4E10TF000	8GB030110AO60001	8IAA80B98M02B0S	8XC060090N0261S9	KOA050300D00V
87220VB4410TF000	8GB050200AO60001	8IAC85BJ5M09B0S	8XC060090N0561S9	KOA050400E00V
87270VB4410TF000	8GB050300AO30001	8IAC85BJ5M05B0S	8XC060090N0961S9	KOA060500F00V
87300VB4410TF000	8GB060500AE40000	8IAC85BJ5M02B0S	8XC060100N0261S9	KOA-10040220V
8AC1-----615004**	8GB060500AG40000	8L0070105AG60000	8XC060100N0561S9	KOA-20050320V
8AC1-----609004**	8GB060500AN40000	8L0080105AG60000	8XC060100N0961S9	KOA-35035120V
8AC1-----602504**	8GB100400AO30001	8L0090115AG60000	8XC080110N0261S9	KQA0000606200
8AC1-----C15034**	8GB-10040AA60001	8L0100120AG60000	8XC080110N0561S9	KQA0001008200
8AC1-----C09034**	8GB-10040AO60001	8L0110135AG60000	8XC080110N0961S9	KQA000200A200
8AC1-----C02534**	8GB100500AE40000	8L0120145AG60000	8XC090120N0261S9	KQA000300C200
8AT1-----615004**	8GB100500AG40000	8L0130155AG60000	8XC090120N0561S9	KQA0040404200
8AT1-----609004**	8GB100500AN40000	8L0150175AG60000	8XC090120N0961S9	KQA0040405200
8AT1-----602504**	8GB-35035AA60001	8L0170195AG50000	8XC110140N056199	KQA0300907000
8AT1-----C15034**	8GB-35035AO60001	8L0190215AG50000	8XC120150N056199	KQA0301109000
8AT1-----C09034**	8HAA70B90M026099	8L0210235AG40000	8XC120150N096199	KQA050200B000
8AT1-----C02534**	8HAA70B90M056099	8L0230255AG40000	8XC130160N056199	KQA050300D000
8CB004040AA60001	8HAA70B90M096099	8L1070105AG60000	8XC130160N096199	KQA050400E000
8CB004040AO60001	8HAA80B98M026099	8L1080105AG60000	9BBAE1000000011C	KQA060500F000
8CB030090AO60001	8HAA80B98M056099	8L1090115AG60000	9BBAE1000000015A	KQA-100402200
8CB030110AO60001	8HAA80B98M096099	8L1100120AG60000	9BBAE1000000017A	KQA-200503200
8CB050200AO60001	8HAC85BJ5M026099	8L1110135AG60000	9BBAE1000000017A	KQA-350351200
8CB050300AO30001	8HAC85BJ5M056099	8L1120145AG60000	9BBAE1000000018A	LS12190259025160
8CB-35035AA60001	8HAC85BJ5M096099	8L1130155AG60000	9BBAE1000000019A	LS12290259025160
8CB-35035AO60001	8HCA70B90M026099	8L1150175AG60000	9BBAE1000000040A	LS12390259025160
8DB004040AO600010	8HCA70B90M056099	8L1170195AG50000	9BBAE1000000041A	LS12490259025160
8DB004040AA600010	8HCA70B90M096099	8L1190215AG50000	9BBBT1000000006A	TNR60030C20001F6
8DB004040AF600010	8HCA80B98M026099	8L1210235AG40000	9BBBT1M00ELH025D	TSR50030I2000BK6
8DB004040AJ600010	8HCA80B98M056099	8L1230255AG40000	9BBJ01000004015A	TSS40500I2000BK6
8DB030090AA600010	8HCA80B98M096099	8L2070105AG60000	9BBJ01000004017A	WQD0440AC60080G0
8DB030090AF600010	8HCC85BJ5M026099	8L2080105AG60000	9BBJ0100004008A	WQD0440AC600C0G0
8DB030090AJ600010	8HCC85BJ5M056099	8L2090115AG60000	9BBJ01000ELH058A	WQD0440AC80080G0
8DB030090AO600010	8HCC85BJ5M096099	8L2100120AG60000	9BBJ01000ELH095A	WQD0440AC800C0G0
8DB030110AA600010	8IAA70B90M009B04	8L2110135AG60000	9BBJ01000004010A	WQD0440AO60080G0
8DB030110AF600010	8IAA70B90M005B04	8L2120145AG60000	9BBJ01000004011A	WQD0440AO600C0G0
8DB030110AJ600010	8IAA70B90M002B04	8L2130155AG60000	9BBJ01000004012A	WQD0440AO80080G0
8DB030110AO600010	8IAC70B90M009B04	8L2150175AG60000	9BBJ01000004019A	WQD0440AO800C0G0
8DB050200AA600010	8IAC70B90M005B04	8L2170195AG50000	9BBJ01000004033A	WQD3090AC60080G0
8DB050200AF600010	8IAC70B90M002B04	8L2190215AG50000	9BBJ010000ELH024A	WQD3090AC600C0G0
8DB050200AJ600010	8IA075B98M009B04	8L2210235AG40000	9BBJ01000ELH025A	WQD3090AO60080G0
8DB050200AO600010	8IA075B98M005B04	8L2230255AG40000	9BBJ01000SPH002A	WQD3090AO600C0G0
8DB050300AA300010	8IA075B98M002B04	8XA060090N026199	9BBJ01000SPH006A (F5)	WQD50C0AC30080G0
8DB050300AF300010	8IAA80B98M009B04	8XA060090N056199	9BBJ01000SPH008A (F2)	WQD50C0AC300C0G0
8DB050300AJ300010	8IAA80B98M005B04	8XA060090N096199	9BBJ01000SPH012A	WQD50C0AO30080G0
8DB050300AO300010	8IAA80B98M002B04	8XA070100N026199	9BBJ01000SPH016A (F1)	WQD50C0AO300C0G0
8DB-35035AA600010	8IAC85BJ5M009B04	8XA070100N056199	9BBJ01000SPH018A (F6)	WQD50C0AO300C0G0
8DB-35035AF600010	8IAC85BJ5M005B04	8XA070100N096199	9BBJ03000RSI001A	
8DB-35035AJ600010	8IAC85BJ5M002B04	8XA080110N026199	9BBSI151SPH020A	
8DB-35035AO600010	8IAA70B90M009B0S	8XA080110N056199	9BBVE3000000048A	

Update 2026/05/09

Because of permanent improvement of our products, drawings, descriptions, features used on these data sheets are for guidance only and can be modified without prior advice



Because of permanent improvement of our products, drawings, descriptions, features used on these data sheets are for guidance only and can be modified without prior advice

Control Thermostats



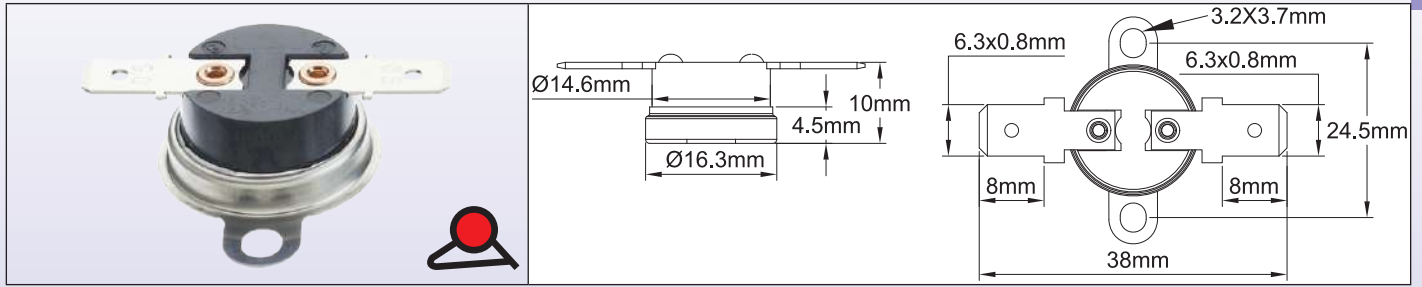
Because of permanent improvement of our products, drawings, descriptions, features used on these data sheets are for guidance only and can be modified without prior advice



Control Thermostats

Snap action bimetal disc thermostat, 1/2" disc, reduced 6mm thickness, 10A 250V. Type 4911

Dimensions



Main bracket types

1 No bracket	2 Loose bracket	3 Flat fixed bracket	4 Extended cup bracket

Main terminal types

A 6.3 vertical	B 6.3 horizontal	C 4.8 vertical	D 4.8 horizontal
E Vertical solder, radius output	F Horizontal solder	G Open vertical solder	H 6.3 vertical downside

Angle between terminals and bracket

30°	45°	60°	90°

Because of permanent improvement of our products, drawings, descriptions, features used on these data sheets are for guidance only and can be modified without prior advice



Control Thermostats

Technical features

Case: Phenolic resin (ceramic on request).

Sensing element: Bimetal disc.

Calibration: Factory fixed setting, from -15 to +150°C, 5 to 302°F (200°C, 392°F with ceramic body). Not adjustable. Standard calibration tolerances ±4°C to ±6°C, ±7.2°F to 10.8°F upon models.

Terminals: 6.3 or 4.8 quick connect, or welding terminals.

Differential: Factory set, from 10°C to 25°C, 50°F to 77°F

Mounting: With or without bracket.

Main bracket models:

- Loose bracket, two oval holes 3.2 × 3.5, for M3 screws, 24.5mm distance.
- Flat fixed bracket, two oval holes 3.2 × 3.5, for M3 screws, 24.5mm distance.
- Flat cup bracket, two oval holes 3.2 × 4.2, for M3 screws, 24mm distance.
- M4 or M5 center stud on request.

Cap materials: Stainless steel (SS) or aluminum (AL).

Ratings: 15A 125VAC, 10A 240VAC

Main references (usually available from stock*)

References	Open** °C/ °F	Tolerance ±°C/ ±°F	Close °C/ °F	Tolerance ±°C/ ±°F	Bracket Nr	Bracket material	Terminal Nr	Angle terminal- bracket
4911NP03308CL6HF39	33/ 91.4	3/ 5.4	25/ 77	4/ 7.2	4	AL	B	90
4911SU04511CL6HF39	34/ 93.2	3/ 5.4	45/ 113	4/ 7.2	4	AL	B	90
4911SU04511CL6HM37	34/ 93.2	3/ 5.4	45/ 113	4/ 7.2	2	AL	B	N/A
4911NP03806CL6V037	38/ 100.4	3/ 5.4	32/ 89.6	4/ 7.2	1	AL	A	N/A
4911NP03806CCSV037	38/ 100.4	3/ 5.4	32/ 89.6	4/ 7.2	1	AL	E	N/A
4911NP03806CCSVM37	38/ 100.4	3/ 5.4	32/ 89.6	4/ 7.2	2	AL	E	N/A
4911NP04010DCSV037	40/ 104	3/ 5.4	30/ 86	4/ 7.2	1	AL	E	N/A
4911NP04010DCSVM37	40/ 104	3/ 5.4	30/ 86	4/ 7.2	2	AL	E	N/A
4911NP05010CL6HF39	50/ 122	3/ 5.4	40/ 104	4/ 7.2	4	AL	B	90
4911NP05010CL6H037	50/ 122	3/ 5.4	40/ 104	4/ 7.2	1	AL	B	N/A
4911NP05510DL6HF37	55/ 131	4/ 7.2	45/ 113	5/ 9	4	AL	B	90
4911NP06010CL6H037	60/ 140	3/ 5.4	50/ 122	4/ 7.2	1	AL	B	N/A
4911NP07010DL6H037	70/ 158	4/ 7.2	60/ 140	5/ 9	1	AL	B	N/A
4911NP07010DL6HF39	70/ 158	4/ 7.2	60/ 140	5/ 9	4	AL	B	90
4911NP07010DCSV037	70/ 158	4/ 7.2	60/ 140	5/ 9	1	AL	E	N/A
4911NP07010DCSVM37	70/ 158	4/ 7.2	60/ 140	5/ 9	2	AL	E	N/A
4911NP07510DCSV037	75/ 167	4/ 7.2	65/ 149	5/ 9	1	AL	E	N/A
4911NP07510DCSVM37	75/ 167	4/ 7.2	65/ 149	5/ 9	2	AL	E	N/A
4911NP08010DL6H037	80/ 176	3/ 5.4	70/ 158	5/ 9	1	AL	B	N/A
4911NP09015DCSVF39	90/ 194	4/ 7.2	75/ 167	5/ 9	4	AL	E	90
4911NP12514DL6VM37	125/ 257	5/ 9	111/ 231.8	6/ 10.8	2	AL	A	N/A
4911NP15023EL6VM37	150/ 302	6/ 10.8	141/ 285.8	7/ 12.6	2	AL	A	N/A
4910NP15514EL6VM37***	155/ 311	6/ 10.8	141/ 285.8	7/ 12.6	2	AL	A	N/A

* Products usually available from stock in one of the Ultimheat Alliance members.

** Temperature in red= close on rise model.

*** Ceramic body.

These thermostats can be fitted inside various housings, overmolded and wired. Some examples:

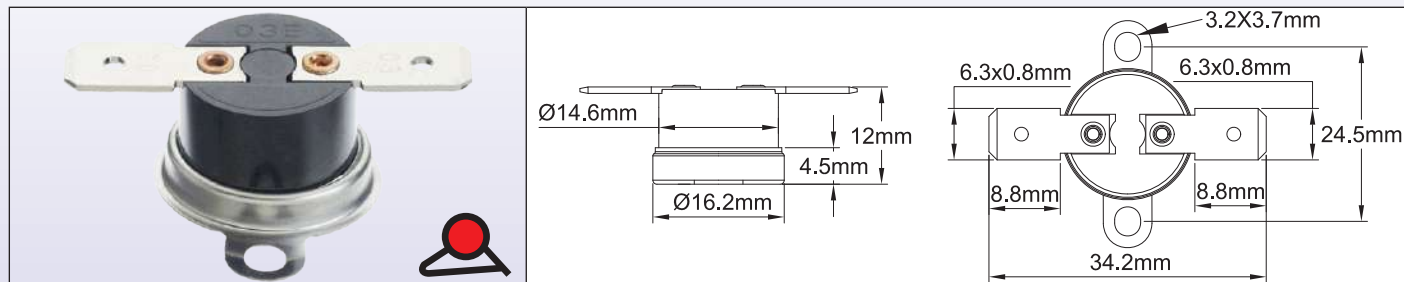
									
Dia 18mm tubular pocket	Waterproof tube mounting	Waterproof, with electrical contact protection	Waterproof, with M6 thread	Waterproof, ½" fitting	Waterproof, M20 fitting	Waterproof, Cnomo connector	Waterproof, automotive connector	Pipe mounting with connection box	Cable output, with flexible boot



Control Thermostats

Snap action bimetal disc thermostat, 1/2" disc, 12mm thickness, 16A 250V. **Type 4903**

Dimensions



Main bracket types

1 No bracket	2 Loose bracket	3 Flat fixed bracket	4 Extended cup bracket

Main terminal types

A 6.3 vertical	B 6.3 horizontal	C 4.8 vertical	D 4.8 horizontal
E Vertical solder, radius output	F Horizontal solder	G Open vertical solder	H 6.3 vertical downside

Angle between terminals and bracket

30°	45°	60°	90°

Because of permanent improvement of our products, drawings, descriptions, features used on these data sheets are for guidance only and can be modified without prior advice



Control Thermostats

Technical features

Case: Phenolic resin (ceramic on request).

Sensing element: Bimetal disc.

Calibration: Factory fixed setting, from -15°C to 150°C, 5 to 302°F (200°C, 392°F with ceramic body). Not adjustable. Standard calibration tolerances ±4°C to ±6°C, ±7.2°F to 10.8°F upon models.

Terminals: 6.3 or 4.8 quick connect, or welding terminals.

Differential: Factory set, from 10°C to 25°C, 50°F to 77°F.

Mounting: With or without bracket.

Main Bracket models:

- Loose bracket, two oval holes 3.2 × 3.5, for M3 screws, 24.5mm distance.
- Flat fixed bracket, two oval holes 3.2 × 3.5, for M3 screws, 24.5mm distance.
- Flat cup bracket, two oval holes 3.2 × 3.5, for M3 screws, 24.5mm distance
- M4 or M5 center stud on request.

Cap materials: Stainless steel (SS) or aluminum (AL).

Ratings:

UL: AC120V/ 15A, AC240V/ 10A

CSA: AC 125V/ 15A, AC250V/ 8A

VDE: AC 250V/ 16A

Main references (usually available from stock*)

References	Open** °C/ °F	Tolerance ±°C/ ±°F	Close °C/ °F	Tolerance ±°C/ ±°F	Bracket Nr	Bracket material	Terminal Nr	Angle terminal- bracket
4903EJ00905CCSV037	10/ 50	3/ 5.4	5/ 41	4/ 7.2	1	AL	E	N/ A
4903EJ00905CCSVM37	10/ 50	3/ 5.4	5/ 41	4/ 7.2	2	AL	E	N/ A
4903EJ01808CL6VM37	18/ 64.4	3/ 5.4	10/ 50	4/ 7.2	2	AL	A	N/ A
4903EJ04010CCSVF44	40/ 104	3/ 5.4	30/ 86	3/ 5.4	4	SS	G	45°
4903EJ04512CL6V037	45/ 113	3/ 5.4	33/ 91.4	4/ 7.2	1	AL	A	N/ A
4903EJ04512CL6VM37	45/ 113	3/ 5.4	33/ 91.4	4/ 7.2	2	AL	A	N/ A
4903EJ05010DL6VM39	50/ 122	4/ 7.2	40/ 104	5/ 9	2	AL	A	90°
4903EJ05010DCSVF47	50/ 122	4/ 7.2	40/ 104	3/ 5.4	1	SS	G	N/ A
4903EJ05510DCSVF44	55/ 131	4/ 7.2	45/ 113	3/ 5.4	4	SS	G	45°
4903EJ06010CL6HM37	60/ 140	4/ 7.2	50/ 122	5/ 9	2	AL	B	N/ A
4903EJ06010CL6VM37	60/ 140	4/ 7.2	50/ 122	5/ 9	2	AL	A	N/ A
4903EJ06010DCSV037	60/ 140	4/ 7.2	50/ 122	5/ 9	1	AL	E	N/ A
4903EJ06010DCSVM37	60/ 140	4/ 7.2	50/ 122	5/ 9	2	AL	E	N/ A
4903EK07010CL6VM37	60/ 140	4/ 7.2	70/ 158	5/ 9	2	AL	A	N/ A
4903EJ06010DCSVF34	60/ 140	4/ 7.2	50/ 122	3/ 5.4	4	AL	G	45°
4903EJ06015DCSVF34	60/ 140	4/ 7.2	45/ 113	4/ 7.2	4	AL	G	45°
4903EJ06510CL6V037	65/ 149	4/ 7.2	55/ 131	5/ 9	1	AL	A	N/ A
4903EJ06510DL6VF39	65/ 149	4/ 7.2	55/ 131	5/ 9	4	AL	A	90°
4903EJ06510DCSVF47	65/ 149	4/ 7.2	55/ 131	3/ 5.4	1	SS	G	N/ A
4903EJ07020DL6VM37	70/ 158	4/ 7.2	50/ 122	5/ 9	2	AL	A	N/ A
4903EJ07010CL6VF37	70/ 158	4/ 7.2	60/ 140	5/ 9	4	AL	A	90°
4903EJ07010DCSVF34	70/ 158	4/ 7.2	60/ 140	3/ 5.4	4	AL	G	45°
4903EJ07510DCSVF44	75/ 167	4/ 7.2	65/ 149	3/ 5.4	4	SS	G	45°
4903EJ07510DCSVF34	75/ 167	4/ 7.2	65/ 149	3/ 5.4	4	AL	G	45°
4903EJ08016DL6HM37	80/ 176	4/ 7.2	64/ 147.2	5/ 9	2	AL	B	N/ A
4903EJ08818DL6VM37	88/ 190.4	4/ 7.2	70/ 158	5/ 9	2	AL	A	N/ A
4903EJ09510CCSVF44	95/ 203	3/ 5.4	85/ 185	3/ 5.4	4	SS	G	45°

* Products usually available from stock in one of the Ultimheat Alliance members.

** Temperature in red= close on rise model.

**These thermostats can be fitted inside various housings, overmolded and wired.
Some examples:**

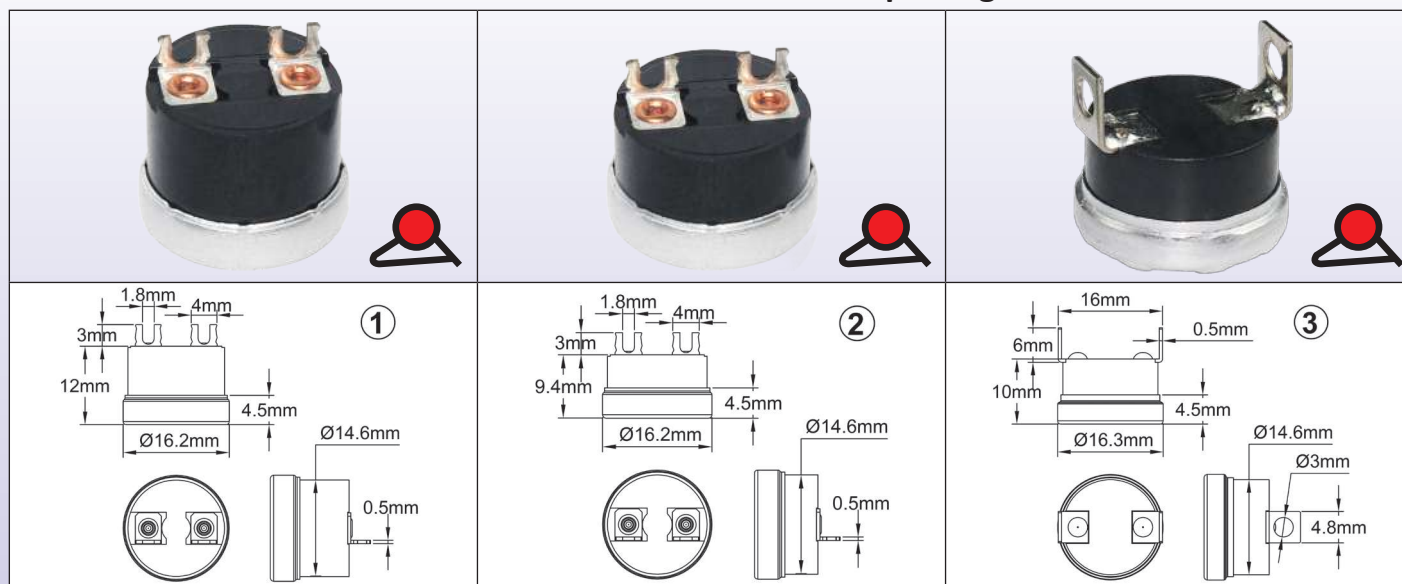
Dia. 18mm tubular pocket	Waterproof tube mounting	Waterproof, with electrical contact protection	Waterproof, epoxy resin potted, 2 thermostats with the same bracket	Waterproof, 1/2" fitting	Waterproof, M20 fitting	Waterproof, Cnomo connector	Waterproof, automotive connector	Pipe mounting with connection box	Cable output, with flexible boot



Control Thermostats

Setion of antifreeze or defrost applicaton disc thermostat

Thermostats for RTV silicone potting

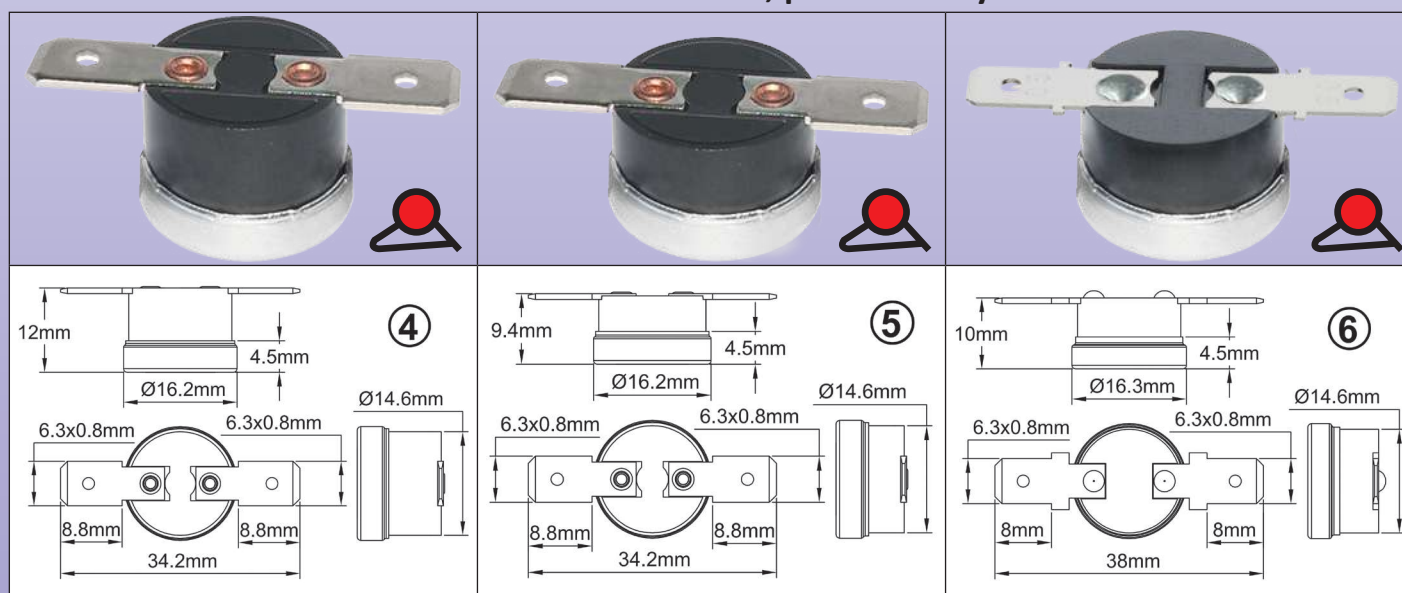


This disc thermostat is adapted to cable end mounting, with small size solder terminals and aluminum cup. It withstands silicone or epoxy filling. Thermostat opens on temperature rise.

References	Open °C(°F)	Close °C(°F)	Rating (250VAC)	Type
4903EJ01006CUSV0	10±3(50±5.4 °F)	4±3(39.2±5.4 °F)	16A	1
4911NP01006CUSV0	10±3(50±5.4 °F)	4±3(39.2±5.4 °F)	10A	2
4993AJ00805HCSV0	8±2.5(46.4±4.5 °F)	3±2.5(37.4±5.5 °F)	8A *	3

* Other set points, terminals or brackets: Contact us.

Thermostat for end of cable connection, protection by shrinkable sleeve



Anti-freeze thermostat, for mounting on heating cable end under double wall shrinkable sleeve, with 6.3 × 0.8 horizontal tab terminals, for fast-on connectors or soldering. Aluminum temperature sensing cup. Contact opens on temperature rise.

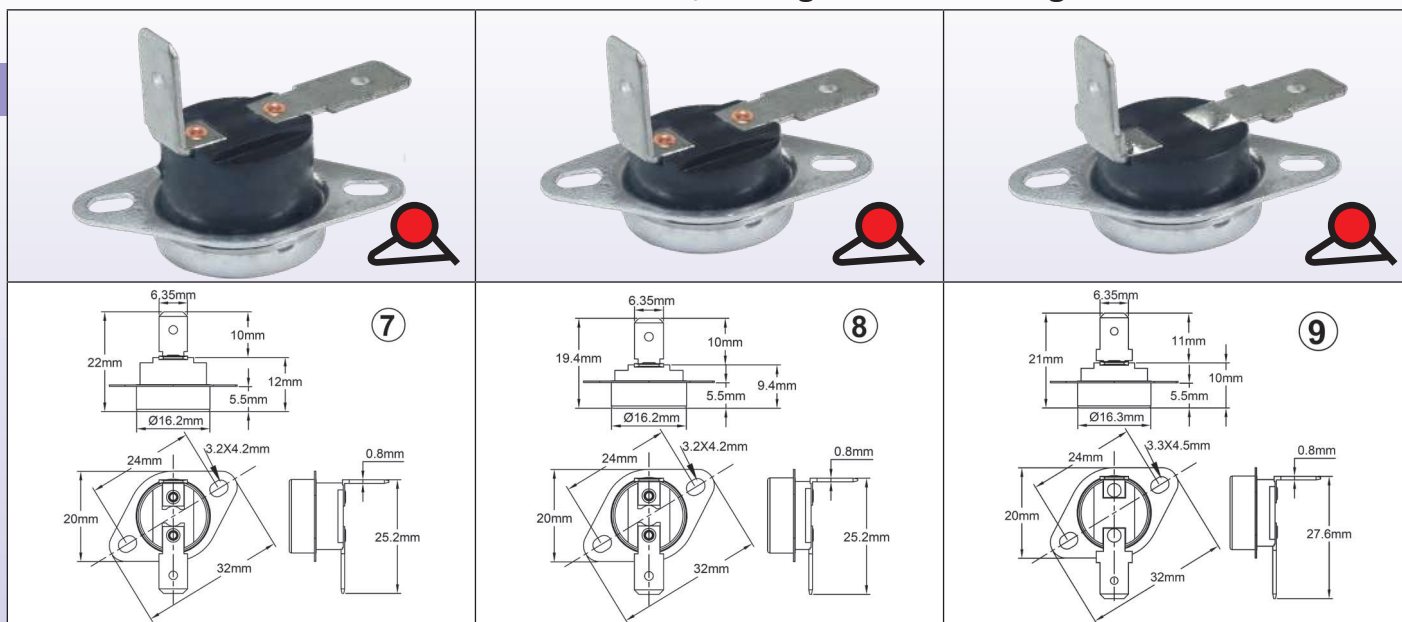
References	Open °C(°F)	Close °C(°F)	Rating (250VAC)	Type
4903EJ01006CL6H0	10±3(50±5.4 °F)	4±3(39.2±5.4 °F)	16A	4
4911NP01006CL6H0	10±3(50±5.4 °F)	4±3(39.2±5.4 °F)	10A	5
4993AZ00805HL6H0	8±2.5(46.4±4.5 °F)	3±2.5(37.4±5.5 °F)	8A *	6

* Other set points, terminals or brackets: Contact us.



Control Thermostats

Antifreeze thermostat, through wall mounting



Anti-freeze thermostat, for through wall mounting on junction or connection boxes, 6.3 × 0.8 tab terminals. Aluminum temperature sensing extended cup. Contact opens on temperature rise. The temperature sensing part of the thermostat is located outside the box, and the electrical connection remains inside. Hole drill: Dia 16.4mm.

References	Open °C(°F)	Close °C(°F)	Rating (250VAC)	Type
4903EJ01006CL6MF	10±3 (50±5.4°F)	4±3 (39.2±5.4°F)	16A	7
4911NP01006CL6MF	10±3 (50±5.4°F)	4±3 (39.2±5.4°F)	10A	8
4993AZ01006CL6MF	8±3 (46.4±4.5°F)	3±2.5 (37.4±4.5°F)	8A *	9

Other set points, terminals or brackets: Contact us.

* 8A 250V 100000 cycles, 10A 250V, 20,000 cycles.

These thermostats can be fitted inside various housings. Some have been specially designed for freeze protection

Dia 18mm aluminum tubular pocket	Waterproof tube mounting	Waterproof, with electrical contact protection	Waterproof, over-molded silicone boot, for heat tracing line and flat valve	Waterproof, over-molded silicone boot, on electrical cord end	Waterproof, M20 × 1.5 fitting, mounting at ISO cable gland place	Waterproof, wall mounting connection box	Waterproof, plastic housing, cable output	Pipe mounting with connection box	Cable output, with flexible silicone boot

Because of permanent improvement of our products, drawings, descriptions, features used on these data sheets are for guidance only and can be modified without prior advice

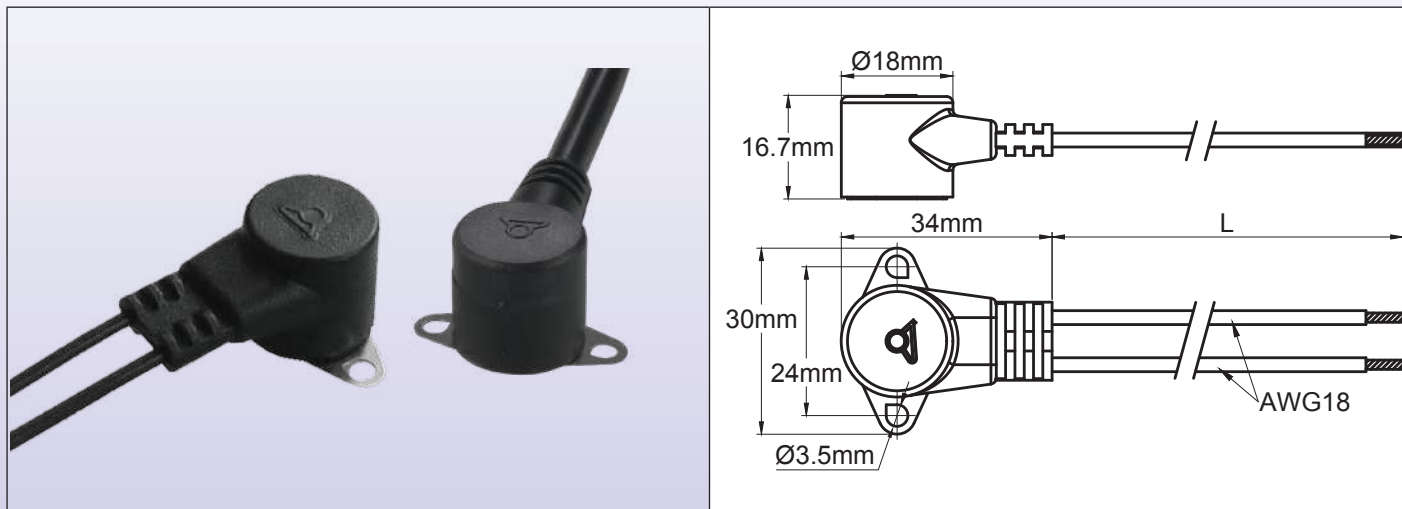


Control Thermostats

Technical over-molding of thermostats.

Type 49JE

Dimensions



Technical features

The assembly is waterproof, frost proof, short immersion proof, protects the connection of the power cord to the thermostat, protects the thermostat housing and is terminate the defrost when the temperature rise to a warm temperature. The thermostat is mounted on a heat exchanger or on a pipe, with its sensitive disc located thereon. He is secured there with a spring or with a bracket.

The temperature sensitive cup is made in stainless steel and is not covered by the over-molding, to optimize the temperature measurement and the response time.

This type of assembly is cost saving, but requires MOQ of 500 pieces.

The designs and quotations of this product are only made on the basis of customer's specs, and depend on the thermostat open and close temperatures, and type, gauge and length of the cord.

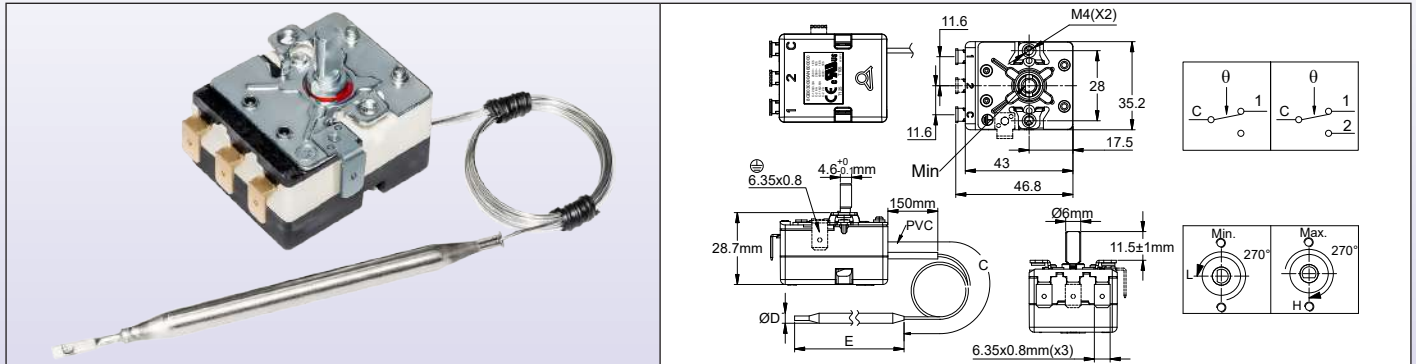
Because of permanent improvement of our products, drawings, descriptions, features used on these data sheets are for guidance only and can be modified without prior advice



Control Thermostats

20A 250V Single pole control thermostat Type 8G

Dimensions



Technical features

Housing dimensions: 43 × 35 × 29mm (without terminals)

Bulb and capillary: Stainless steel, with 100mm long PVC sleeve on the capillary. Capillary minimum bending radius is 5mm. No capillary sleeve for temperature ranges above 400°C (750°F). 8mm bulbs are in copper.

Temperature sensing element: Oil filled bulb and capillary.

Caution: Temperature ranges above 400°C (750°F) are filled with sodium-potassium eutectic. In case of breakage of the bulb or capillary, this liquid may self-ignite at room temperature in the presence of water or moisture.

Terminals: 6.35 × 0.8 quick connect terminals, 90° bended. Straight terminals or terminals with M4 screws also available on request. (MOQ apply). Terminal positions and alignment allow the use of a connector with flat or bended terminals.

Adjustment: Dia. 6mm shaft with 4.6mm flat, length 11.5mm. Other lengths, screw driver adjustment or fixed setting available on request.

Mounting: Front bracket with 2 × M4 threads, 28mm distance.

Grounding: 6.35 × 0.8 QC terminal on mounting bracket.

Contact: SPDT

Electrical rating:

When the rated voltage is 250V~:

- Open on temperature rise contact (C-1): 20(3.3)A 250V~, 50-60Hz
- Close on temperature rise contact (C-2): 6A 250V~, 50 ~60Hz

When the rated voltage is 400V~:

- Open on temperature rise contact (C-1): 16(2.6)A 400V~, 50-60Hz
- Close on temperature rise contact (C-2): 2A 400V~, 50 ~60Hz

Electrical life: 100,000 cycles

Max ambient temperature on body: 85°C (185°F).

Acceptable degree of pollution for use in 250V: 3

Acceptable degree of pollution for use in 400V: 2

Main references

Reference	Temperature range °C (°F)	Capillary length(C, mm)	Bulb diameter (D, mm)	Bulb length (E, mm)	Differential °C (°F)	Max temperature on bulb °C (°F)
8GB-35035AO60001	-35+35°C (-31+95°F)	1500	6	139±5	4±2°C (7.2±3.6°F)	65°C (149°F)
8GB-35035AA60001	-35+35°C (-31+95°F)	250	6	139±5	4±2°C (7.2±3.6°F)	65°C (149°F)
8GB-10040AO60001	-10+40°C (14-104°F)	1500	6	175±5	3±2°C (5.4±3.6°F)	70°C (158°F)
8GB-10040AA60001	-10+40°C (14-104°F)	250	6	175±5	3±2°C (5.4±3.6°F)	70°C (158°F)
8GB004040IA30000	4-40°C (39.2-104°F)	250	Pig tail style, dia.30mm coil	55±10	4±2°C (7.2±3.6°F)	70°C (158°F)
8GB004040AA80001	4-40°C (39.2-104°F)	250	8	86±5	4±2°C (7.2±3.6°F)	70°C (158°F)
8GB004040AO60001	4-40°C (39.2-104°F)	1500	6	135±5	4±2°C (7.2±3.6°F)	70°C (158°F)
8GB004040AA60001	4-40°C (39.2-104°F)	250	6	135±5	4±2°C (7.2±3.6°F)	70°C (158°F)
8GB000060AO60001	0-60°C (32-140°F)	1500	6	155±5	3±2°C (5.4±3.6°F)	90°C (194°F)
8GB000060AA80001	0-60°C (32-140°F)	250	8 copper	97±5	3±2°C (5.4±3.6°F)	90°C (194°F)
8GB000090AO60001	0-90°C (32-194°F)	1500	6	85±5	5±2°C (9±3.6°F)	120°C (248°F)
8GB030090AO60001	30-90°C (86-194°F)	1500	6	122±5	4±3°C (7.2±5.4°F)	120°C (248°F)
8GB030090AA80001	30-90°C (86-194°F)	250	8 copper	79±5	4±3°C (7.2±5.4°F)	120°C (248°F)
8GB030110AO60001	30-110°C (86-230°F)	1500	6	101±5	5±3°C (9±5.4°F)	140°C (284°F)
8GB030110AA80001	30-110°C (86-230°F)	250	8 copper	68±5	5±3°C (9±5.4°F)	140°C (284°F)



Control Thermostats

Because of permanent improvement of our products, drawings, descriptions, features used on these data sheets are for guidance only and can be modified without prior advice

Reference	Temperature range °C (°F)	Capillary length(C, mm)	Bulb diameter (D, mm)	Bulb length (E, mm)	Differential °C (°F)	Max temperature on bulb °C (°F)
8GB050200AO60001	50-200°C (122-392°F)	1500	6	63±5	8±5°C (14.4±9°F)	230°C (446°F)
8GB050300AO30001	50-300°C (122-572°F)	1500	3	122±5	9°C±6°C (16.2±10.8°F)	330°C (626°F)
8GB100400AO30001	100-400°C (212-752°F)	1500	3	115±5	15°C±7°C (27±12.6°F)	430°C (806°F)
8GB100500AE40000	100-500°C (212-932°F)	500	4	167±5	20°C±6°C (36±10.8°F)	550°C (1022°F)
8GB100500AG40000	100-500°C (212-932°F)	750	4	167±5	20°C±6°C (36±10.8°F)	550°C (1022°F)
8GB100500AN40000	100-500°C (212-932°F)	1400	4	167±5	20°C±6°C (36±10.8°F)	550°C (1022°F)

Other temperature ranges available on request.

Capillary stuffing box with flat fiber gasket and M14 nut. NBR, FKM or graphite gasket. Max temperature 500°C.

		<p>Nickel plated brass capillary fitting for use on liquids up to 130°C (Capillary gasket in NBR)</p> <p>66RL41LS30000000</p>
		<p>Nickel plated brass capillary fitting for use on liquids up to 230°C (Capillary gasket in FKM)</p> <p>66RL41LS20000000</p>
		<p>Stainless steel 304 capillary fitting for use on liquids up to 130°C (Capillary gasket in NBR)</p> <p>66RIMEPM9X1041C7</p>
		<p>Stainless steel 304 capillary fitting for use on liquids up to 230°C (Capillary gasket in FKM)</p> <p>66RIMEPM9X1041C8</p>
		<p>Stainless steel 304 capillary fitting for use on liquids up to 500°C (Capillary gasket in graphite)</p> <p>66RIMEVM9X1041C9</p>

3 way connector. Exists unassembled, with female terminals non-crimped, or assembled, with crimped wires, length, gauge and style upon customer request.

		<p>66KG3635*</p>
--	--	------------------

* The 16 character full reference is issued upon customer wire types and length specs.
Many other accessories are available: Pockets, flanges, fittings: See the full list in catalogue #1.

Usual knobs and bezels.

°C Printing

66MZ0000010502FW	66MZ006-350352FW	66MZ006-100402FW	66MZ0060040402FW	66MZ0060000602FW	66MZ0060000902FW
66MZ0060300901FW	66MZ0060301101FW	66MZ0060502001FW	66MZ0060503001FW	66MZ0061004007FW	66MZ0061005007FW



Control Thermostats

°F Printing

32-50°F	-30+95°F	15-105°F	40-105°F	32-140°F	32-195°F
66MZ0000010502FW	66MZ006-350352FX	66MZ006-100402FX	66MZ0060040402FX	66MZ0060000602FX	66MZ0060000902FX
85-195°F	85-230°F	120-390°F	120-570°F	210-750°F	210-930°F
66MZ0060300901FX	66MZ0060301101FX	66MZ0060502001FX	66MZ0060503001FX	66MZ0061004007FX	66MZ0061005007FX

<p>Modern design soft grip knob, dia.41mm. Polycarbonate and rubber.</p> <p>12mm, 14mm, Ø41mm, Ø6mm, 4.6mm</p>	<p>Skirt knob, dia 50mm, black ABS.</p> <p>Ø30.5mm, 6mm, 26mm, Ø6x4.6mm, 48.6mm, 50mm</p>	<p>US 2" size knob, dia 50mm. Black PA66.</p> <p>A-A, 14.3, 16.3, Ø50, Ø4.6</p>	<p>Miniature knob dia. 10mm. Black PA66.</p> <p>1.2mm, 10mm, 9mm, 8.5mm, 10.5mm, Ø10mm, 8.5mm, 6mm, 4.6mm</p>
66MZ*	66MU*	66MP*	66MQ
Black or chromed ABS bezel, for dia. 41mm knobs.	Black ABS bezel for knobs dia. 50 to 51mm	Stainless steel bezel for knobs dia. 41mm	Stainless steel bezel for knobs dia. 50 to 51mm
Black: 66EN1 Chromed: 66EN3	Black: 66EN4** Chromed: 66EN6	66EN2**	66EN5

* Full knob reference with printing has 16 characters. Many others knobs are available, see the full knob list at the end of catalogue N°1.
 ** Low cost versions also available in Nickel or Chrome plated steel.

Update 2026/05/15

Because of permanent improvement of our products, drawings, descriptions, features used on these data sheets are for guidance only and can be modified without prior advice

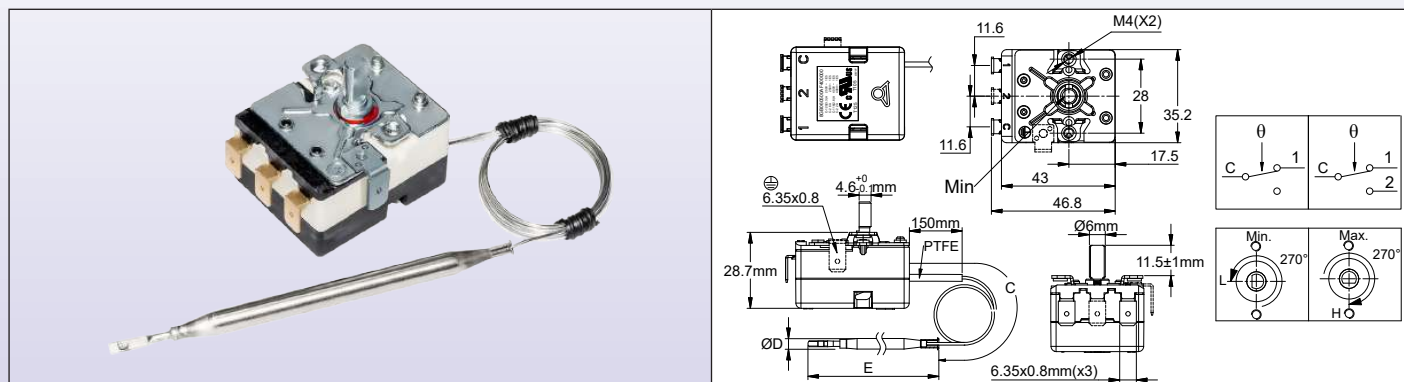


Control Thermostats

Single pole control bulb and capillary thermostat, temperature range 60-500°C

Type 8GB060500

Dimensions



Applications

Thermostats for furnaces and ovens which the operating temperature is higher than 320°C, such as pizza ovens. Their temperature resistance is outstanding.

Main features

Housing dimensions: 43 × 35 × 29mm (without terminals).

Bulb and capillary: Stainless steel. Capillary minimum bending radius 5mm.

Temperature sensing element: Liquid metalloid filled.

Terminals: 6.3 × 0.8 quick connect terminals. M4 screws also available on request.

Adjustment: Dia. 6mm shaft with 4.6mm flat, length 11.5mm. Other lengths, screw driver adjustment or fixed setting available on request.

Mounting: Front bracket with 2 × M4 threads, 28mm distance.

Contact: SPDT

Electrical rating:

When the rated voltage is 250V~:

- Open on temperature rise contact (C-1): 20(3.3)A 250V~, 50-60Hz
- Close on temperature rise contact (C-2): 6A 250V~, 50-60Hz

When the rated voltage is 400V~:

- Open on temperature rise contact (C-1): 16(2.6)A 400V~, 50-60Hz
- Close on temperature rise contact (C-2): 2A 400V~, 50-60Hz

Electrical life: 100,000 cycles

Max ambient temperature on body: 85°C (185°F).

Acceptable degree of pollution for use in 250V: 3

Acceptable degree of pollution for use in 400V: 2

Main references

Reference	Temperature range	Capillary length (C, mm)	Bulb diameter (mm)	Bulb length (mm)	Differential	Max temperature on bulb
8GB060500AD40000	60-500°C (140-930°F)	500	4	177±5	22°C±7°C (39.6±12.6°F)	550°C (1022°F)
8GB060500AF40000	60-500°C (140-930°F)	750	4	177±5	22°C±7°C (39.6±12.6°F)	550°C (1022°F)
8GB060500AM40000	60-500°C (140-930°F)	1400	4	177±5	22°C±7°C (39.6±12.6°F)	550°C (1022°F)

Other temperature ranges available on request.

Printed knobs and accessories

Knob printings		Knob sizes		Bezels		
60-500°C	140-930°F	PC + Santoprene		Black ABS	Chrome plated ABS	Stainless steel
66MZ0060605009LW	66MZ0060605009LX	66MZ006*****		66EN1	66EN3	66EN2

Update 2026/03/30

Contact us

www.ultimheat.com

Cat1-3-4-13

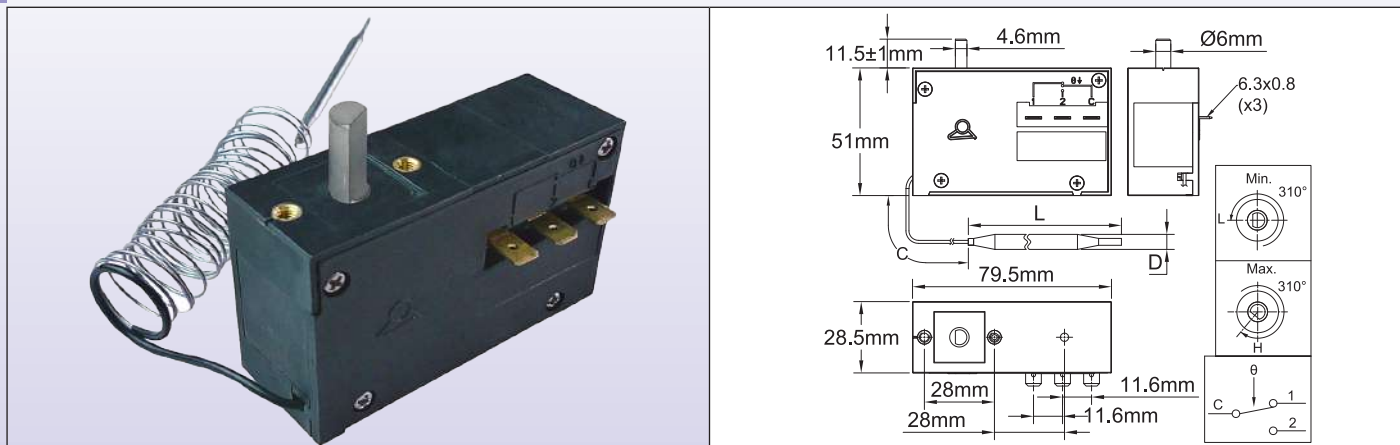
Because of permanent improvement of our products, drawings, descriptions, features used on these data sheets are for guidance only and can be modified without prior advice

Control Thermostats

Single pole control thermostat, various ranges up to 500°C

Type KQA

Dimensions



Applications

Housing dimensions: 79.5 × 51 × 28.5mm

Bulb and capillary: Copper or stainless steel depending of temperature range, standard capillary length 1500mm. Capillary minimum bending radius 5mm.

Temperature sensing element: Liquid filled bulb and capillary.

Terminals: 3 quick connect terminals 6.3 × 0.8mm.

Adjustment: Dia. 6mm shaft with 4.6mm flat, length 11.5mm.

Mounting: Front board, with 2 screws M4, 28mm distance.

Electrical Rating (upon EN61058-1):

NC contact: 25(4)A 125/250VAC (100,000 cycles); 16(4)A 400VAC (100,000 cycles)

NO contact: 15(2)A, 125/250VAC (100,000 cycles); 10(2)A, 400VAC (100,000 cycles)

Contacts: SPDT (snap action contact.)

Electrical life: >100,000 cycles at nominal rating.

Main references

References with standard differential*	Temperature range** (°C/ °F)	Capillary length (C, mm)	Bulb diameter (D, mm)	Bulb length (L, mm)	Differential (°C/ °F)	Max temperature on bulb(°C/ °F)
KQA-350351200	-35~35°C (-31~95°F)	1500	6	100	3.5±1	60°C (140°F)
KQA-100402200	-10~40°C (-14~104°F)	1500	6	130	3.5±1	70°C (158°F)
KQA-200503200	-20~50°C (-4~122°F)	1500	6	90	3.5±1	80°C (176°F)
KQA0040404200	4~40°C (39.2~104°F)	1500	6	140	2±1	70°C (158°F)
KQA0040405200	4~40°C (39.2~104°F)	1500	8	80	2±1	70°C (158°F)
KQA0000606200	0~60°C (32~140°F)	1500	6	115	3±1	90°C (194°F)
KQA0300907000	30~90°C (86~194°F)	1500	6	110	3±1	120°C (248°F)
KQA0001008200	0~100°C (32~212°F)	1500	6	80	5±1.5	130°C (266°F)
KQA0301109000	30~110°C (86~230°F)	1500	6	85	4±1.5	140°C (284°F)
KQA000200A200	0~200°C (32~392°F)	1500	4	100	10±3	230°C (446°F)
KQA050200B000	50~200°C (122~392°F)	1500	4	120	7.5±2.5	230°C (446°F)
KQA000300C200	0~300°C (32~570°F)	1500	4	70	15±5	330°C (626°F)
KQA050300D000	50~300°C (122~572°F)	1500	4	80	12±4	330°C (626°F)
KQA050400E000	50~400°C (122~752°F)	1500	4	50	18±6	430°C (806°F)
KQA060500F000	60~500°C (140~932°F)	1500	4	120	22±8	530°C (986°F)

Caution: Bulbs and capillaries of ranges above 400°C are filled with sodium potassium eutectic. If they leak or are broken, this liquid will ignite if in contact with water.

* For types with differential reduced of about 30%, replace KQA by KTA in the part number (These types cannot be used on voltages over 250VAC).

** Many other temperature ranges are available on request.

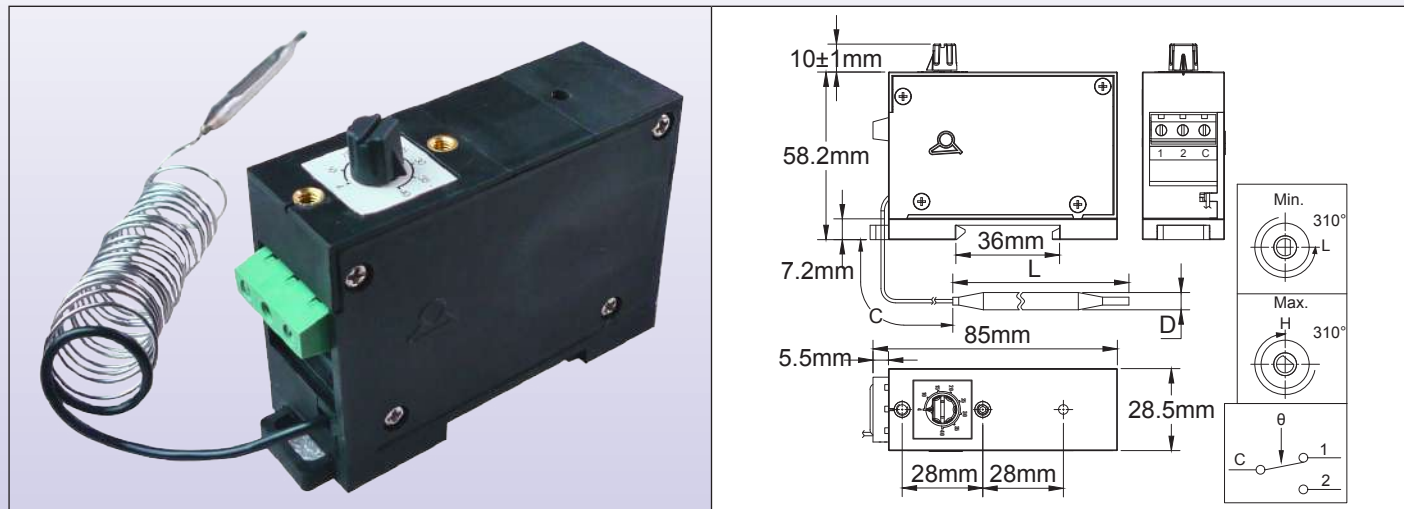


Control Thermostats

Din rail mounting bulb and capillary thermostat. Downside electrical connection block.

Type KO-V

Dimensions



Applications

Housing dimensions: 85 × 58.2 × 28.5mm (Knob not included).

Bulb and capillary: Copper or stainless steel depending of temperature range, standard capillary length 1500mm. Capillary minimum bending radius 5mm.

Temperature sensing element: Liquid filled bulb and capillary.

Terminals: 3 way screw terminal.

Adjustment: Dia. 6mm shaft with 4.6mm flat, length 10mm, equipped with miniature knob and printed dial.

Mounting: On 35mm DIN rail, upon EN500022.

Electrical Rating (upon EN61058-1):

NC contact: 25(4)A 125/250VAC (100,000 cycles); 16(4)A 400VAC (100,000 cycles)

NO contact: 15(2)A, 125/250VAC (100,000 cycles); 10(2)A, 400VAC (100,000 cycles)

Contacts: SPDT (snap action contact).

Electrical life: >100,000 cycles at nominal rating.

Main references

References with standard differential	Temperature range (°C / °F)	Capillary length (C, mm)	Bulb diameter (D, mm)	Bulb length (L, mm)	Differential (°C / °F)	Max temperature on bulb
KOA-35035120V	-35~35°C (-31~95°F)	1500	6	100	3.5±1	60°C (140°F)
KOA-10040220V	-10~40°C (-14~104°F)	1500	6	130	3.5±1	70°C (158°F)
KOA-20050320V	-20~50°C (-4~122°F)	1500	6	90	3.5±1	80°C (176°F)
KOA004040420V	4~40°C (39.2~104°F)	1500	6	140	2±1	70°C (158°F)
KOA004040520V	4~40°C (39.2~104°F)	1500	8	80	2±1	70°C (158°F)
KOA000060620V	0~60°C (32~140°F)	1500	6	115	3±1	90°C (194°F)
KOA030090700V	30~90°C (86~194°F)	1500	6	110	3±1	120°C (248°F)
KOA000100820V	0~100°C (32~212°F)	1500	6	80	5±1.5	130°C (266°F)
KOA030110900V	30~110°C (86~230°F)	1500	6	85	4±1.5	140°C (284°F)
KOA000200A20V	0~200°C (32~392°F)	1500	4	100	10±3	230°C (446°F)
KOA050200B00V	50~200°C (122~392°F)	1500	4	120	7.5±2.5	230°C (446°F)
KOA000300C20V	0~300°C (32~570°F)	1500	4	70	15±5	330°C (626°F)
KOA050300D00V	50~300°C (122~572°F)	1500	4	80	12±4	330°C (626°F)
KOA050400E00V	50~400°C (122~752°F)	1500	4	50	18±6	430°C (806°F)
KOA060500F00V	60~500°C (140~932°F)	1500	4	120	22±8	530°C (986°F)

Caution: Bulbs and capillaries of ranges above 400°C are filled with sodium potassium eutectic. If they leak or are broken, this liquid will ignite if in contact with water.

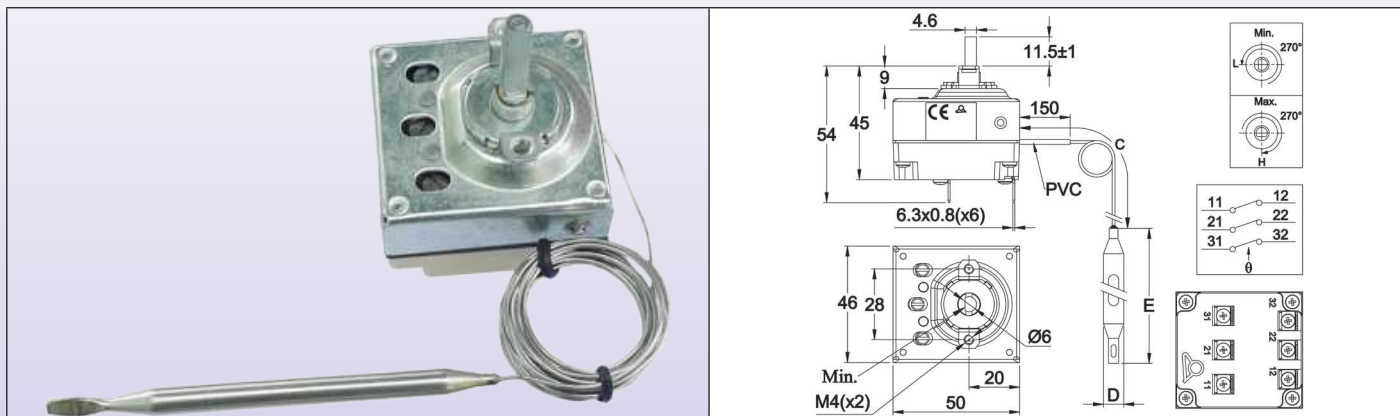
Update 2025/11/04



Control Thermostats

3 × 16A control thermostats,
staggered or almost simultaneous contacts.

Type 8C
Dimensions



Technical features

- Housing dimensions:** 46 × 50 × 45mm (without terminals.)
- Bulb and capillary:** Stainless steel, capillary length 250mm or 1500mm, 150mm long PVC sleeve on capillary. Capillary minimum bending radius 5mm.
- Temperature sensing element:** Liquid filled bulb and capillary.
- Terminals:** 6.35 × 0.8mm quick connect terminals.
- Adjustment:** Dia. 6mm shaft with 4.6mm flat, (other lengths or fixed setting available on request).
- Mounting:** Front bracket with 2 × M4 threads, 28mm distance.
- Rating:** 3 × 16A(4) 250VAC, 10A 400VAC
- Contacts:** 3 × ST with snap action contact, 3PDT available on request.
- Max ambient temperature:** 85°C (185°F).
- Acceptable degree of pollution for use in 250V:** 3
- Acceptable degree of pollution for use in 400V:** 2

Main references

Reference	Temperature range (°C/°F)	Capillary length (mm)	Bulb diameter (mm)	Bulb length (mm)	Differential (°C/°F)	Max temperature on bulb (°C/°F)
8CB-35035AO60001	-35+35°C (-30+95°F)	1500	6	95	4±2°C/ 7±3.6°F	50°C/ 122°F
8CB-35035AA60001	-35+35°C (-30+95°F)	250	6	95	4±2°C/ 7±3.6°F	50°C/ 122°F
8CB004040AO60001	4-40°C (40-105°F)	1500	6	160	4±2°C/ 7±3.6°F	50°C/ 122°F
8CB004040AA60001	4-40°C (40-105°F)	250	6	160	4±2°C/ 7±3.6°F	50°C/ 122°F
8CB030090AO60001	30-90°C (85-195°F)	1500	6	86	6±3°C/ 10.8±5.4°F	110°C/ 230°F
8CB030110AO60001	30-110°C (85-230°F)	1500	6	70	6±3°C/ 10.8±5.4°F	130°C/ 266°F
8CB050200AO60001	50-200°C (120-390°F)	1500	6	57	13±4°C/ 23.4±7.2°F	220°C/ 428°F
8CB050300AO30001	50-300°C (120-570°F)	1500	3	165	15±5°C/ 27±9°F	320°C/ 608°F

°C Printing

-35+35°C	4-40°C	30-90°C	30-110°C	50-200°C	50-300°C
66MZ006-350352FW	66MZ0060040402FW	66MZ0060300901FW	66MZ0060301101FW	66MZ0060502001FW	66MZ0060503001FW

°F Printing

30+95°F	40-105°F	85-195°F	85-230°F	120-390°F	120-570°F
66MZ006-350352FX	66MZ0060040402FX	66MZ0060300901FX	66MZ0060301101FX	66MZ0060502001FX	66MZ0060503001FX



Control Thermostats

Soft grip knob and bezel dimensions

Dimensions				
References	66MZ.....	66EN1	66EN3	66EN2
Material	PC + Santoprene	Black ABS	Chrome plated ABS	Stainless steel

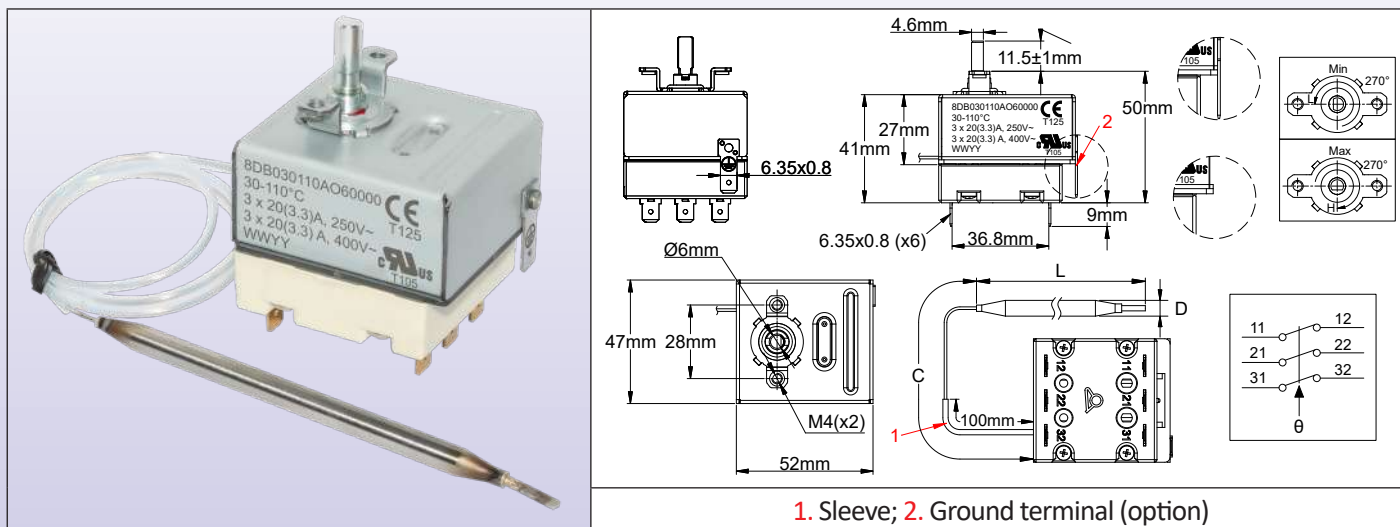
Many other knobs are available, see the full knob list at the end of this catalogue.

Because of permanent improvement of our products, drawings, descriptions, features used on these data sheets are for guidance only and can be modified without prior advice

Control Thermostats

3 × 20A control thermostats with simultaneous contacts, Simultaneous contacts Type 8D

Dimensions



1. Sleeve; 2. Ground terminal (option)

Main applications

Temperature control of thermal systems comprising three-pole heating elements

Technical features

Housing dimensions: 52 × 47 × 50mm (without terminals)

Bulb and capillary: Stainless steel, standard capillary lengths 250mm, 750mm, 1000mm, 1500mm, with 150mm long PVC sleeve on capillary. Capillary minimum bending radius 5mm.

Temperature sensing element: Liquid filled bulb and capillary.

Terminals: 6.35 × 0.8 quick connect terminals. M4 screws also available on request.

Adjustment: Dia. 6mm shaft with 4.6mm flat, length 11.5mm. Other lengths or fixed setting available on request).

Mounting: Front bracket with 2 xM4 threads, 28mm distance.

Rating: 3 × 20(3.3)A, 250VAC, 3 × 20(3.3) A, 400VAC

Contacts: 3 × Single throw with snap action contacts with simultaneous open and close action. Double throw contacts available on request.

Max ambient temperature: CE:125°C(257°F), UL:105°C(221°F).

Acceptable degree of pollution for use in 250V: 3

Acceptable degree of pollution for use in 400V: 2

Main references with open on temperature rise contacts

Reference	Temperature range* (°C/°F)	Capillary length (mm)	Bulb diameter (mm)	Bulb length (mm)	Differential (°C/°F)	Max temperature on bulb (°C/°F)
8DB-35035AO600010	-35+35°C (-30+95°F)	1500	6	95	4±2°C / 7±3.6 °F	50°C/122°F
8DB-35035AJ600010		1000				
8DB-35035AF600010		750				
8DB-35035AA600010		250				
8DB004040AO600010	4-40°C (40-105°F)	1500	6	160	4±2°C / 7±3.6 °F	50°C/122°F
8DB004040AJ600010		1000				
8DB004040AF600010		750				
8DB004040AA600010		250				
8DB030090AO600010	30-90°C (85-195°F)	1500	6	86	6±3°C/10.8±5.4°F	110°C/230°F
8DB030090AJ600010		1000				
8DB030090AF600010		750				
8DB030090AA600010		250				
8DB030110AO600010	30-110°C (85-230°F)	1500	6	70	6±3°C/10.8±5.4°F	130°C/266°F
8DB030110AJ600010		1000				
8DB030110AF600010		750				
8DB030110AA600010		250				
8DB050200AO600010	50-200°C (120-390°F)	1500	6	57	13±4°C/23.4±7.2°F	220°C/428°F
8DB050200AJ600010		1000				
8DB050200AF600010		750				
8DB050200AA600010		250				



Control Thermostats

Because of permanent improvement of our products, drawings, descriptions, features used on these data sheets are for guidance only and can be modified without prior advice

Reference	Temperature range* (°C/°F)	Capillary length (mm)	Bulb diameter (mm)	Bulb length (mm)	Differential (°C/°F)	Max temperature on bulb (°C/°F)
8DB050300AO300010	50-300°C (120-570°F)	1500	4	100	15±5°C/27±9°F	320°C/608°F
8DB050300AJ300010		1000				
8DB050300AF300010		750				
8DB050300AA300010		250				

* Temperature ranges 10-400°C and 100-500°C available on request, ask for special data sheet (MOQ apply)

°C Printing

-35+35°C	4-40°C	30-90°C	30-110°C	50-200°C	50-300°C
66MZ006-350352FW	66MZ0060040402FW	66MZ0060300901FW	66MZ0060301101FW	66MZ0060502001FW	66MZ0060503001FW

°F Printing

30+95°F	40-105°F	85-195°F	85-230°F	120-390°F	120-570°F
66MZ006-350352FX	66MZ0060040402FX	66MZ0060300901FX	66MZ0060301101FX	66MZ0060502001FX	66MZ0060503001FX

Soft grip knob and bezel dimensions

Dimensions				
References	66MZ.....	66EN1	66EN3	66EN2
Material	PC + Santoprene	Black ABS	Chrome plated ABS	Stainless steel

Many other knobs are available, see the full knob list at the end of this catalogue.

Update 2026/05/11

Contact us

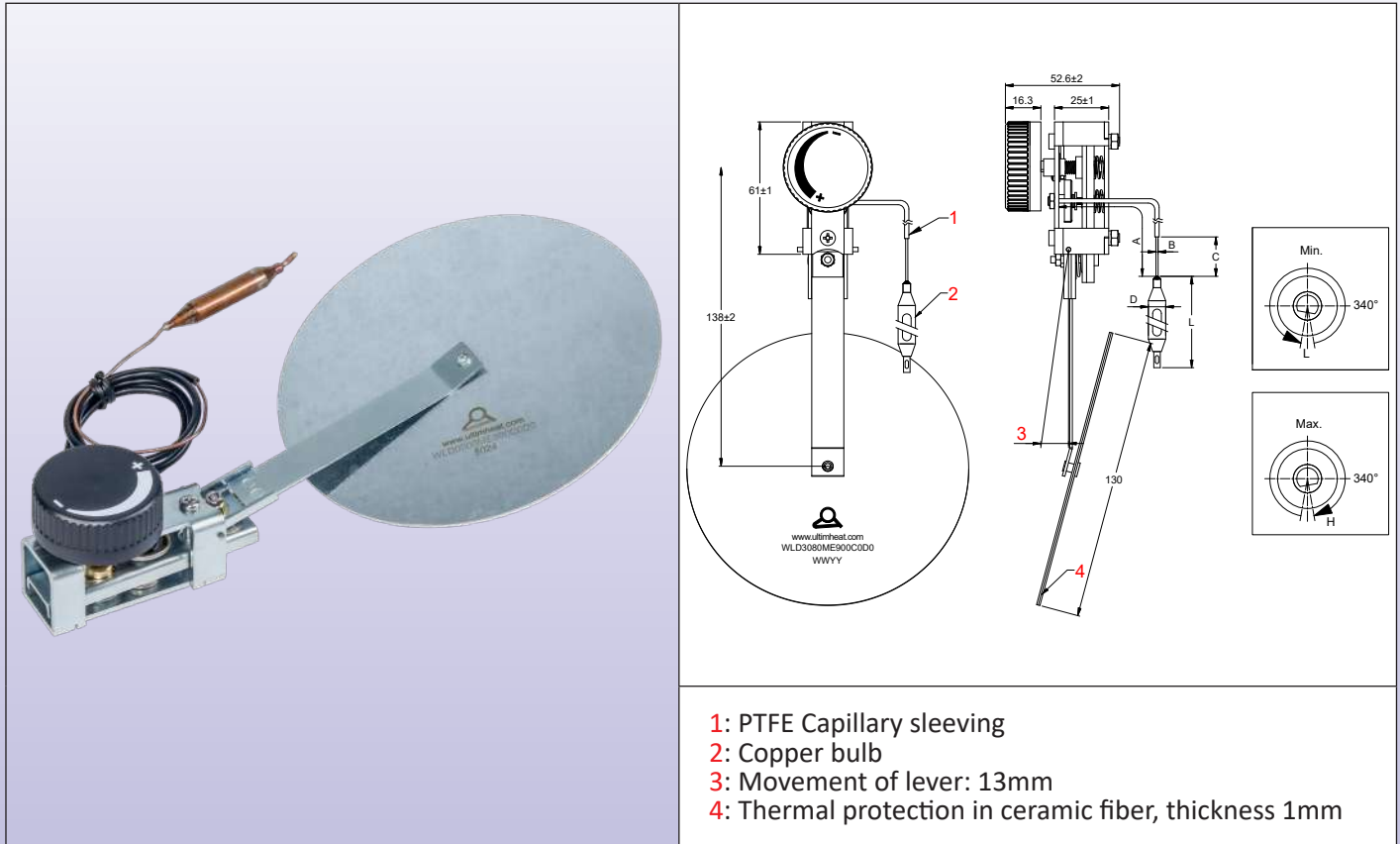
www.ultimheat.com

Cat1-3-4-19

Control Thermostats

Wood and solid fuel stove damper bulb and capillary thermostat Type WLD

Dimensions



Applications

This thermostat is an automatic control of wood, pellets, coal or anthracite fired solid fuel appliances like room heaters, boilers, stoves, central heating units. Its modulating action provides economy in fuel consumption.

Main features

Operation principle: It controls the combustion by throttling the primary air intake to the fire. A flat damper plate at the end of the control arm is moved relative to the air intake port of the appliance in response to variations of temperature at the bulb.

It is actuated by the expansion of liquid in the bulb, through capillary tubing to a diaphragm located in the body.

Body: Zinc plated steel

Shaft: Dia. 6mm, with 4.8mm flat, with 340° angular rotation, providing a 13mm displacement of the 138mm arm

Temperature ranges upon applications:

- Room Air Control 4/40°C (40/105°F).
- Hot water 30/90°C (85/195°F).
- Flue temperature 50/300°C (120/570°F).

Other temperature ranges and displacement available on request (MOQ apply)

Damper plates.

Damper plates are available in circular form in dia. 80mm and dia. 120mm. (Rectangular forms on request). They are spring mounted to permit self-alignment of the plate in the closed position.

Special arm length and damper plates may be made on request to suit application (MOQ apply).

Sensor dimensions:

Bulb and capillary are made of copper or stainless steel.

Bulb standard dia. 3, 6 or 8mm. (Depends of temperature ranges)

Standard capillary length 300mm or 1500mm.



Control Thermostats

Main references with 138mm arm

Damper disc diameter	Capillary length	Temperature ranges (°C)			
		4-40 (Copper bulb dia. 6mm)	4-40 (Copper bulb dia. 8mm)	30-90 (Stainless steel bulb dia. 6mm)	50-300 (Stainless steel bulb dia. 3mm)
80 mm	300 mm	WLD0440AC60080G0	WLD0440AC80080G0	WLD3090AC60080G0	WLD50C0AC30080G0
80 mm	1500 mm	WLD0440AO60080G0	WLD0440AO80080G0	WLD3090AO60080G0	WLD50C0AO30080G0
130 mm	300 mm	WLD0440AC600D0G0	WLD0440AC800D0G0	WLD3090AC600D0G0	WLD50D0AC300D0G0
130 mm	1500 mm	WLD0440AO600D0G0	WLD0440AO800D0G0	WLD3090AO600D0G0	WLD50D0AO300D0G0

Printed knobs

 	 	4-40°C	30-90°C	50-300°C
		66MM0060040402FB	66MM0060300901FB	66MM0060503001FB
		40-104°F	86-195°F	120-570°F
66ME0060000010SW	66MM006020150EFB	66MM0060040402FY	66MM0060300901FY	66MM0060503001FY

Many other printed knobs available, see our catalogue #1.

Because of permanent improvement of our products, drawings, descriptions, features used on these data sheets are for guidance only and can be modified without prior advice



Because of permanent improvement of our products, drawings, descriptions, features used on these data sheets are for guidance only and can be modified without prior advice



Because of permanent improvement of our products, drawings, descriptions, features used on these data sheets are for guidance only and can be modified without prior advice

Electronic thermostats



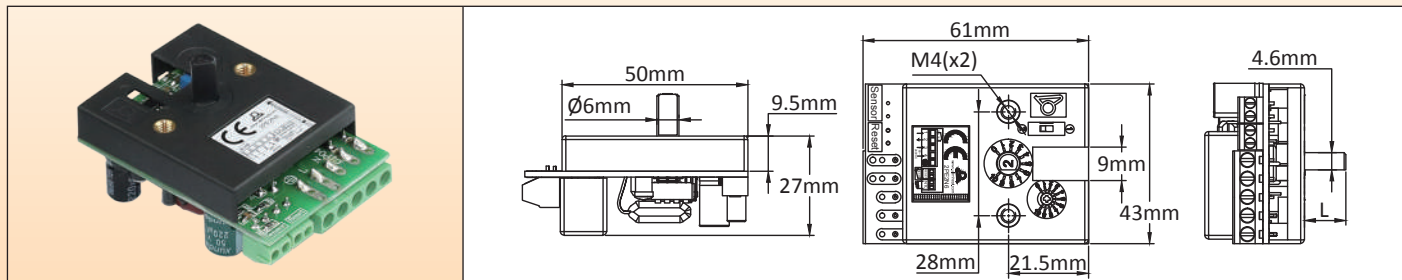
Because of permanent improvement of our products, drawings, descriptions, features used on these data sheets are for guidance only and can be modified without prior advice



Electronic thermostats

Blind electronic thermostat, 16A, NTC sensor temperature control or manual reset limiter Type 2PE2N6

Dimensions



Applications principles

This electronic thermostat for incorporation has been designed to allow a distant temperature control of flexible silicone heaters. It is mounted with two screws M4 at the same distance 28mm than bulb and capillary thermostats, uses a 6mm dia. shaft with 4.6mm flat, and its knob rotation angle is 230°. Its electrical rating is 16A 230V, identical to the electromechanical thermostats. **This is an economical solution, useful in catering equipment.**

Main features

Action: On-Off.

Size: 60 × 43 × 23mm.

Temperature sensor: NTC thermistor, 10Kohms @25°C, B(25-50)= 3380

Temperature ranges: 20-125°C (68-260°F)

Temperature differential: Adjustable, by potentiometer with front access, from 0.5 to 5.5°C (0.9 to 10°F) for other temperature ranges.

Accuracy: ±1% of scale (NTC sensor tolerances not included).

Power supply: 180 to 240V, 50Hz or 60Hz.

Relay output: 16A250V resistive, 100000 cycles.

Relay action: Open on temperature rise

Ambient: -20+50°C, 10-85% RH.

Power: <2W

Electrical connections:

- Power supply and power relay: 2.5mm² screw terminal block.

- Temperature sensor: 1.5mm² screw terminal block.

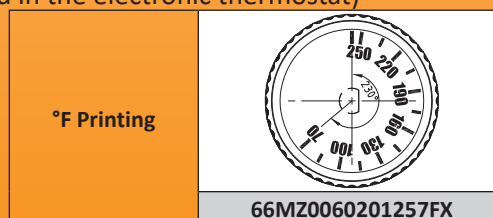
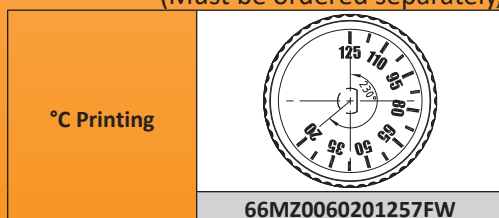
Adjustment shaft: The thermostat is shipped with a dia. 6mm with 4.6mm flat shaft, length 11mm, assembled. Included is also a set of: One 15mm shaft, one 28mm shaft and one screw driver adjustment shaft.

Options: Available with many other temperature ranges. Also available with manual reset action (Ask for full technical data sheet).

	<ol style="list-style-type: none"> 1: Cover 2: Printed circuit 3: Elastic washer 4: Screw driver shaft 5: 11mm shaft fitted in standard 6: 15mm shaft 7: 28mm shaft 8: Shaft bearing 9: Plastic spacer 10: Cover screws, (unscrew to change shaft length) 	<p>Standards: Comply with LVD and EMC (CE certificate by TÜV), upon the following standards:</p> <ul style="list-style-type: none"> EN55014-1: 2006+A1+A2; EN55014-2: 1997+A1+A2; EN61000-3-2: 2014; EN61000-3-3: 2013; EN60730-1: 2011; EN60730-2-9: 2010, and ROHS compliance certificate.
Reference: 2PE2N6		

Soft grip printed knobs references

(Must be ordered separately, not included in the electronic thermostat)

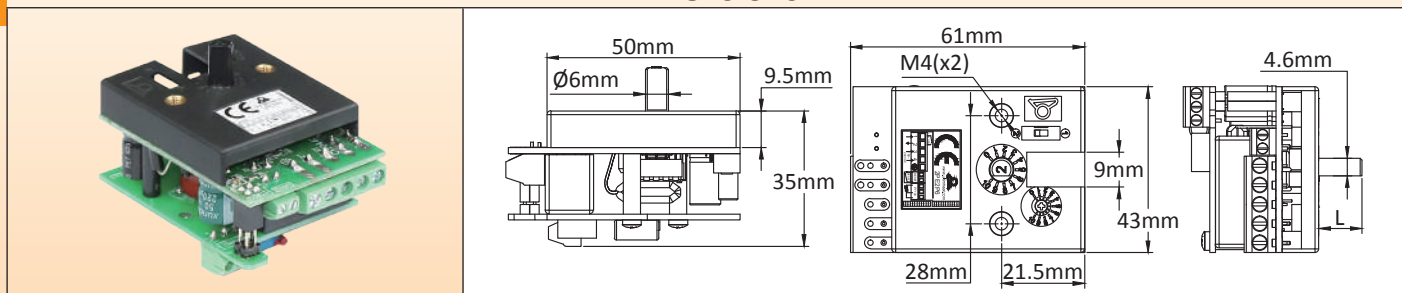




Electronic thermostats

Electronic thermostat, knob adjustment, remote sensor, Pt100 temperature sensor, temperature control or manual reset limiter Type 2PE2P6

Dimensions



Applications principles

This electronic thermostat for incorporation has been designed to allow a distant temperature control of flexible silicone heaters. It is mounted with two screws M4 at the same distance 28mm than bulb and capillary thermostats, uses a 6mm dia. shaft with 4.6mm flat, and its knob rotation angle is 230°. Its electrical rating is 16A 230V, identical to the electromechanical thermostats. **This is an economical solution, useful in catering equipment.**

Main features

Action: On-Off.

Size: 61 × 43 × 35mm.

Temperature sensor: Pt100

Temperature range: 50-200°C (120-390°F)

Temperature differential: Adjustable, by potentiometer with front access, from 0.5 to 5.5°C (0.9 to 10°F) for other temperature ranges.

Accuracy: ±1% of scale (NTC sensor tolerances not included).

Power supply: 180 to 240V, 50Hz or 60Hz.

Relay output: 16A250V resistive, 100000 cycles.

Relay action: Open on temperature rise.

Ambient: -20+50°C, 10-85% RH.

Power: <2W

Electrical connections:

- Power supply and power relay: 2.5mm² screw terminal block.
- Temperature sensor: 1.5mm² screw terminal block.

Adjustment shaft: The thermostat is shipped with a dia. 6mm with 4.6mm flat shaft, length 11mm, assembled. Included is also a set of: One 15mm shaft, one 28mm shaft and one screw driver adjustment shaft.

Options: Available with many other temperature ranges. Also available with manual reset action (Ask for full technical data sheet).

	<ol style="list-style-type: none"> 1: Cover 2: Main printed circuit board 3: Elastic washer 4: Screw driver shaft 5: 11mm shaft fitted in standard 6: 15mm shaft 7: 28mm shaft 8: Shaft bearing 9: Plastic spacer 10: Cover screws, (unscrew to change shaft length) 11: Pt100 input printed circuit board 	<p>Standards: Comply with LVD and EMC (CE certificate by TÜV), upon the following standards: EN55014-1:2006+A1+A2; EN55014-2: 1997+A1+A2; EN61000-3-2:2014; EN61000-3-3:2013; EN60730-1:2011; EN60730-2-9:2010, and ROHS compliance certificate.</p>
Part number: 2PE2P6		

Soft grip printed knobs and bezels part numbers

(Must be ordered separately, not included in the electronic thermostat)

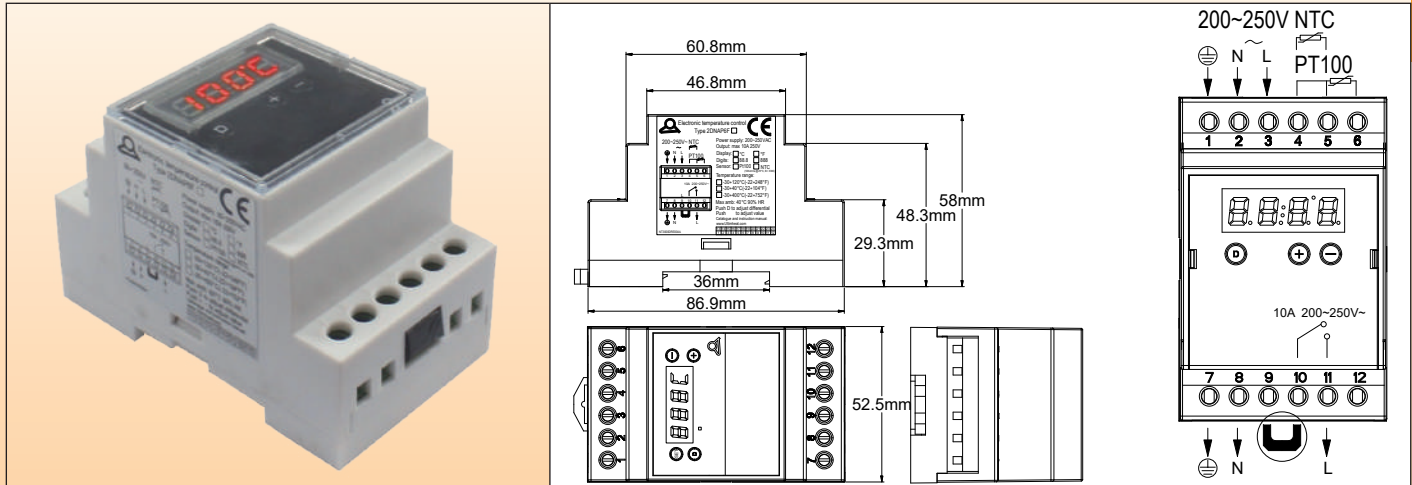
°C Printing	°F Printing	Black ABS bezel	Chrome plated ABS Bezel
66MZ0060502001FW	66MZ0060502001FX	66EN1	66EN3



Electronic thermostats

Digital display electronic thermostat, 10A. Type 2DNAP6

Dimensions



Applications

This electronic temperature controller with **the simplest and the most instinctive setting by end user** was designed for easy incorporation inside cabinets with DIN rail mounting. It can be used by untrained operators. It provides simple On Off action temperature control.

End user has access to set point and differential setting only.

Adjustment of maximum temperature can be set.

Main features

Dimensions: 86.9 × 58 × 52.5mm

Display: 3+1 digit LED. The fourth digit is used to display °C or °F.

Set point setting: In normal use, the display shows the measured temperature. Push “+” or “-” keys will display the set point value, and at that time it can be adjusted with “+” and “-” keys. No action during 5 seconds will register the new set point value and bring back display to measured value.

Temperature differential setting: In normal use, the display shows the measured temperature. Push “D” key will display the differential value, at that time it can be adjusted with “+” and “-” keys. Push “D” again or no action during 5 seconds will register the new differential value and bring back display to the measured value.

Action: On-Off

Temperature sensor: Pt100 (2 or 3 wires) or NTC 10Kohms @25°C, B= 3380 (2 wires).

Accuracy: ±1% of scale

Temperature adjustment ranges:

-30+120°C (-20+250°F), with 1° display

-30+200°C (-20+390°F), with 1° display

Power supply: 200 to 250V, 50Hz or 60Hz

Relay output: 10A 200~250V res., 100,000 cycles. Output LED displays relay position.

Maximum possible set point adjustment by user: Push “D” button more than 10 seconds, display shows the maximum temperature that can be set by the user. Then it is possible to adjust this value with “+” and “-”. Push again on “D” or do nothing during 5 seconds will register the maximum possible setting value and control will come back to the measured valued.

Ambient: -20+60°C, 10-90% RH

Power: <4W

Fail-safe safety:

- If no power supply, relay output contact will open.
- If Pt100 sensor or NTC is broken or not connected properly, relay output contact will open and display will show “EEE”.
- If measured temperature is higher than allowed by the set range, display will show HHH.
- If measured temperature is lower than -30.0°C or -20.0°F, display will show LLL.

Electrical connections:

- Power input: Neutral, phase, ground, with 2.5mm² terminals.
- Power output: Neutral, phase, ground, with 2.5mm² terminals for direct connection to the load.
- Temperature sensor: Three 2.5mm² screw terminal.

Because of permanent improvement of our products, drawings, descriptions, features used on these data sheets are for guidance only and can be modified without prior advice



Electronic thermostats

One removable jumper provides a potential free relay output for applications needing a separate circuit for relay, external timer or other.

Standards: Comply with LVD, EMC (CE certificate by TUV), ROHS and Reach.

Main references

References	Temperature range	Sensor	Display
2DNAP6FA	-30+120°C	NTC	°C
2DNAP6FB	-20+250°F	NTC	°F
2DNAP6FI	-30+200°C*	Pt100	°C
2DNAP6FJ	-20+390°F*	Pt100	°F

* It is possible to unlock this value up to 400°C (750°F).

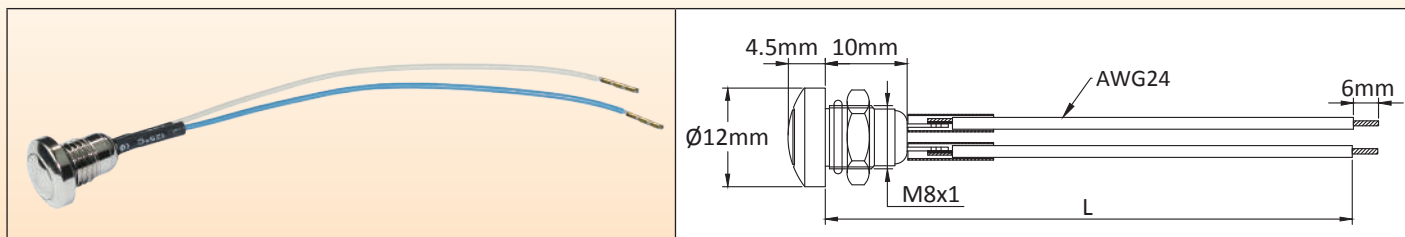
Because of permanent improvement of our products, drawings, descriptions, features used on these data sheets are for guidance only and can be modified without prior advice



Electronic thermostats

Accessories for 2PE2N6 and 2PE2P6 (Must be ordered separately, not included in the electronic thermostat)

Manual reset switch



Wired switch for manual reset. Needs a 8mm dia. hole in the mounting board. Wires length 100mm. Other length on request.

Reference	2PMR100
-----------	---------

66MZ Soft grip printed knobs

°C Printing

-35+35°C	0-10°C	4-40°C	30-90°C	30-110°C
66MZ006-350357FW	66MZ0060000107FW	66MZ0060040407FW	66MZ0060300901FW	66MZ0060301101FW
20-125°C	50-200°C	50-300°C	100-400°C	100-500°C
66MZ0060201257FW	66MZ0060502001FW	66MZ0060503001FW	66MZ0061004007FW	66MZ0061005007FW

°F Printing

-31+95°F	32-50°F	39-104°F	86-194°F	86-230°F
66MZ006-350357FX	66MZ0060000107FX	66MZ0060040407FX	66MZ0060300901FX	66MZ006031101FX
68-257°F	122-392°F	122-512°F	210-750°F	210-930°F
66MZ0060201257FX	66MZ0060502001FX	66MZ0060503001FX	66MZ0061004007FX	66MZ0061005007FX

Electronic thermostats



Knobs and bezels

Dimensions				
References	66MZ.....	66EN1	66EN3	66EN2
Material	PC + Santoprene	Black ABS	Chrome plated ABS	Stainless steel

Many other knobs are available, see last section of catalogue 1.

Standard temperature sensors

NTC Thermistor	Pt100, 3 wires, 200°C	Pt100, 3 wires, 400°C
<p>Value: 10Kohms @25°C, B= 3380 Accuracy: ±1% on R25 and ±1% on B Temperature range: -20°C+120°C Probe: Nickel plated copper, 6 × 30mm Cable: AWG24, FEP + silicone insulation, dia. 3.3mm, standard length 2m. Character 10 in the reference provides sensor cable length in meters (2=2m, 3= 3m, 4=4m)</p>	<p>Accuracy and tolerances: Class B, ±0.3°C @ 0°C. (±0.12 Ω @ 0°C). Temperature range: -50°C, +200°C Probe: Stainless Steel 304, dia. 5mm × 30mm Cable: 3 × AWG24, FEP insulation, + metal braid + FEP, T 200°C, dia. 3mm, standard length 2m. Character 10 in the reference provides sensor cable length in meters (2=2m, 3= 3m, 4=4m)</p>	<p>Accuracy and tolerances: Class B, ±0.3°C @ 0°C. (±0.12 Ω @ 0°C). Probe temperature range: -50°C, +400°C Probe: Stainless Steel 304, dia. 4mm × 500mm. Cable: 3 × AWG24, FEP insulation, + metal braid + FEP, T 200°C, dia. 2.7mm, standard length 2m. Character 10 in the reference provides sensor cable length in meters (2=2m, 3= 3m, 4=4m)</p>
References: TNR60030C20001F6	References: TSR50030I2000BK6	References: TSS40500I2000BK6

Because of permanent improvement of our products, drawings, descriptions, features used on these data sheets are for guidance only and can be modified without prior advice



Because of permanent improvement of our products, drawings, descriptions, features used on these data sheets are for guidance only and can be modified without prior advice

Manual reset and thermal cut-outs



Because of permanent improvement of our products, drawings, descriptions, features used on these data sheets are for guidance only and can be modified without prior advice

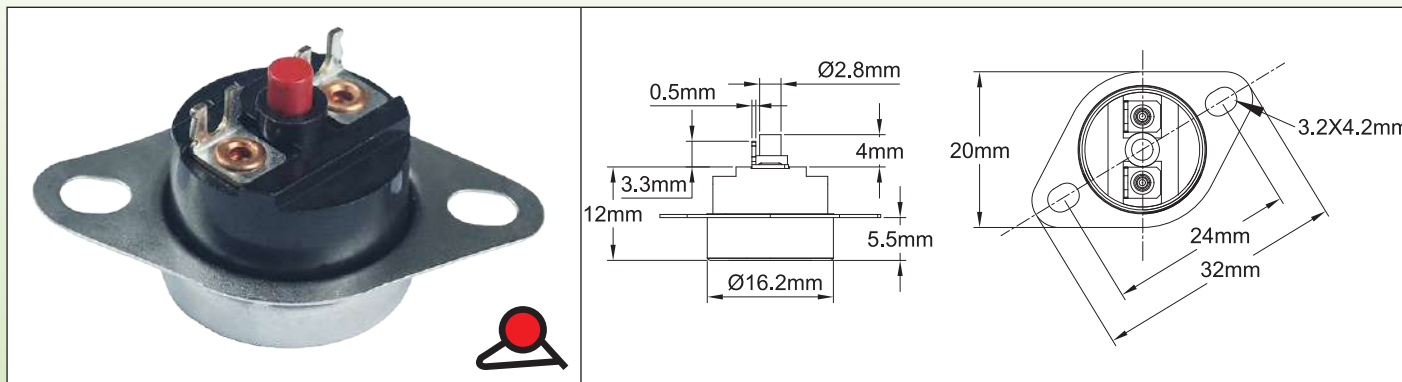


Manual reset and thermal cut-out

Manual reset snap action bimetal disc thermostat, 1/2" disc.

Type 4R05

Dimensions



Technical features

Case: Phenolic resin (ceramic on request).

Sensing element: Bimetal disc.

Calibration: Factory fixed setting, from 30°C to 150°C (86 to 302°F). Not adjustable. Standard calibration tolerances $\pm 4^\circ\text{C}$ to $\pm 6^\circ\text{C}$ (± 7.2 to $\pm 10.8^\circ\text{F}$) upon models.

Terminals: 6.3 or 4.8 quick connect, or welding terminals.

Differential: Manual reset.

Mounting: With or without bracket.

Main bracket models:

- Loose bracket, two oval holes 3.2 × 3.5, for M3 screws, 24.5mm distance.
- Flat fixed bracket, two oval holes 3.2 × 3.5, for M3 screws, 24.5mm distance.
- Flat cup bracket, two oval holes 3.2 × 4.2, for M3 screws, 24mm distance.
- M4 or M5 center stud on request.

Cap materials: Stainless steel (SS) or aluminum (AL).

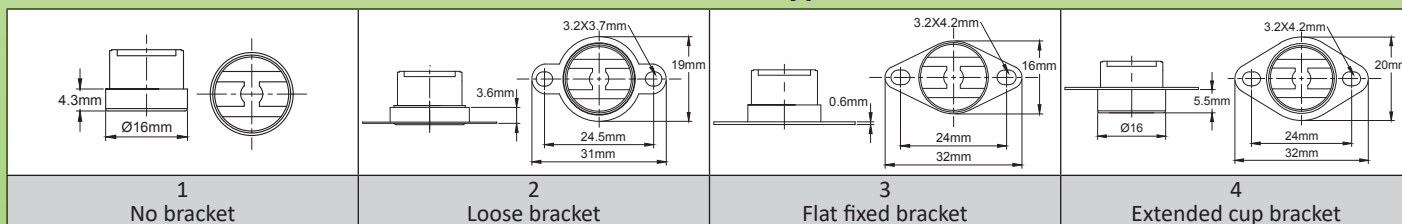
Ratings:

UL: AC120V/ 15A, AC240V/ 10A.

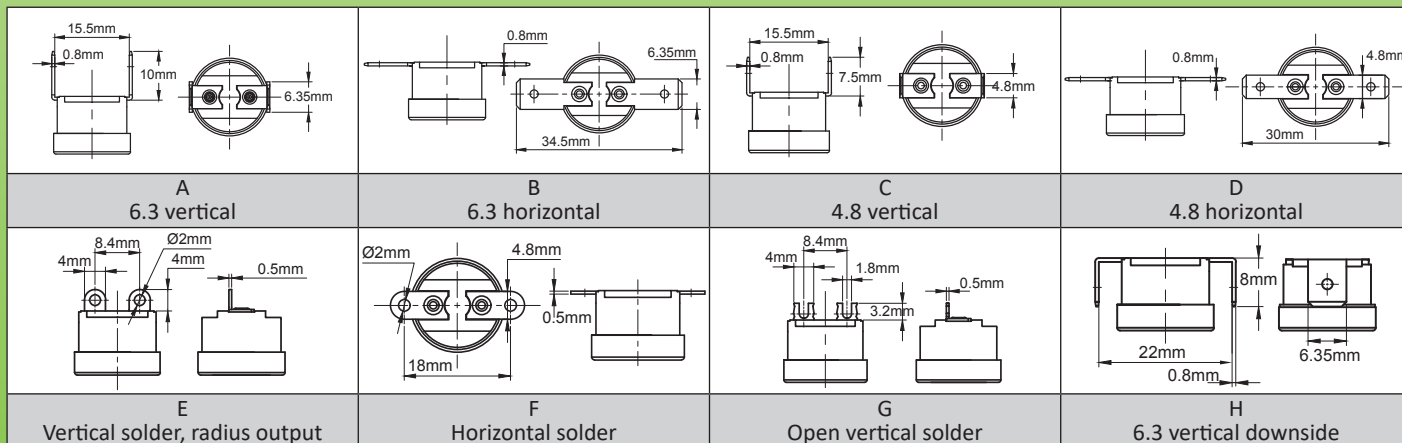
CSA: AC 125V/ 15A, AC250V/ 8A.

VDE: AC 250V/ 16A.

Main bracket types



Main terminal types





Manual reset and thermal cut-out

Angle between terminals and bracket

30°	45°	60°	90°

Accessories (See more at the end of this catalogue)

Boot without bracket (Can be used with terminals type E and G), for flat cable or 2 conductors	Boot without bracket (Can be used with terminals type E and G), for round cable dia. 6 to 8mm	Boot with stainless steel bracket (can be used with terminals type E and G, thermostat bracket type 4 with 45° angle), for flat cable or 2 conductors	Allows to mount a manual reset disc thermostat with side actuated button. Needs a 10mm drill on the side mounting wall.
Reference 9BBJO1000004011A	Reference 9BBJO1000004019A	Reference 9BBJO1000004012A (Silicone boot) 9BBAE1000000017A (Bracket)	Reference 6Y4903RESET90

Main references (usually available from stock*)

References	Open (°C/ °F)	Tolerance (°C/ °F)	Bracket style	Bracket material	Terminal style	Terminal to bracket hole angle
4R05EJ050RMDCSV047	50°C/ 122°F	±4°C/ ±7.2°F	1	SS	G	N/ A
4R05EJ055RMCCSVF44	55°C/ 131°F	±3°C/ ±5.4°F	4	SS	G	45°
4R05EJ055RMCCSVF41	55°C/ 131°F	±3°C/ ±5.4°F	4	SS	G	135°
4R05EJ065RMDCSVF44	65°C/ 149°F	±4°C/ ±7.2°F	4	SS	G	45°
4R05EJ070RMDCSV47	70°C/ 158°F	±4°C/ ±7.2°F	2	SS	G	N/ A
4R05EJ075RMDCSV47	75°C/ 167°F	±4°C/ ±7.2°F	2	SS	G	N/ A
4R05EJ075RMDCSVF44	75°C/ 167°F	±4°C/ ±7.2°F	4	SS	G	45°
4R05EJ085RMDCSVF44	85°C/ 185°F	±4°C/ ±7.2°F	4	SS	G	45°
4R05EJ090RMDL6VM37	90°C/ 194°F	±4°C/ ±7.2°F	2	AL	A	N/ A
4R05EJ090RMDCSVF44	90°C/ 194°F	±4°C/ ±7.2°F	4	SS	G	45°
4R05EJ120RMDCSVF44	120°C/ 248°F	±4°C/ ±7.2°F	4	SS	G	45°
4R05NJ150RMEL6HM37	150°C/ 302°F	±6°C/ ±10.8°F	2	AL	B	N/ A

* Products usually available from stock in one of the Ultimheat Alliance members.

Because of permanent improvement of our products, drawings, descriptions, features used on these data sheets are for guidance only and can be modified without prior advice

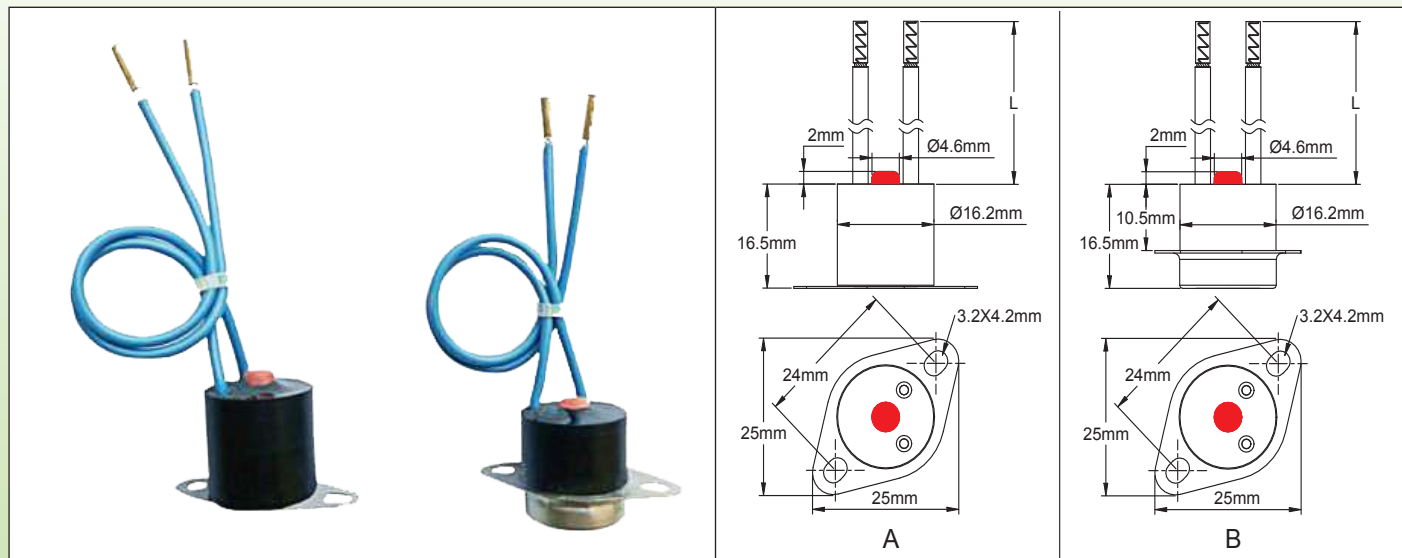


Manual reset and thermal cut-out

Epoxy potted waterproof manual reset disc thermostat, 2 wire output.

Type 4REMR

Dimensions



Applications

Manual reset safety thermostats, for applications where there are risks of condensation or water drops. The thermostat body, including the cup crimping zone, is inside an epoxy potting. The manual reset button is accessible by a small silicone cap partially embedded in the epoxy resin. The 2 wire output, in addition to protection against ingress of water, also protects users against accidental contact with live terminals.

Main features

Thermostat Housing: High temperature black epoxy, diameter 16.2mm. Good UV resistance. Excellent wire pull strength. Maximum ambient temperature 120°C.

Temperature sensing cup: Stainless steel, not over-molded to improve temperature measurement. (Achievable in aluminum on request)

Contact: SPNC, open on temperature rise.

Reset: Manual

Electrical rating: 10A resistive, 250VAC, 1000 cycles.

Wires: XLPE insulated, 300V, AWG16 (1.5mm²), stranded, temperature resistance 125°C, according to UL3266.

Wire terminations: Stripped on 6mm (wire end terminals or other terminals on request)

Calibration temperatures: Available on request from 40 to 120°C. Standard tolerances ±5°C. MOQ 1000 pieces applicable for specific values.

Product identification: Reference label on the wires and coded date on the thermostat cup

Mounting: Two modes: Flat bracket (type A) for measuring surface temperature, or extended cup bracket (type B) for through wall measurement.

Main references with 1 meter wires, T125°C XLPE, AWG16 (1.5mm²)

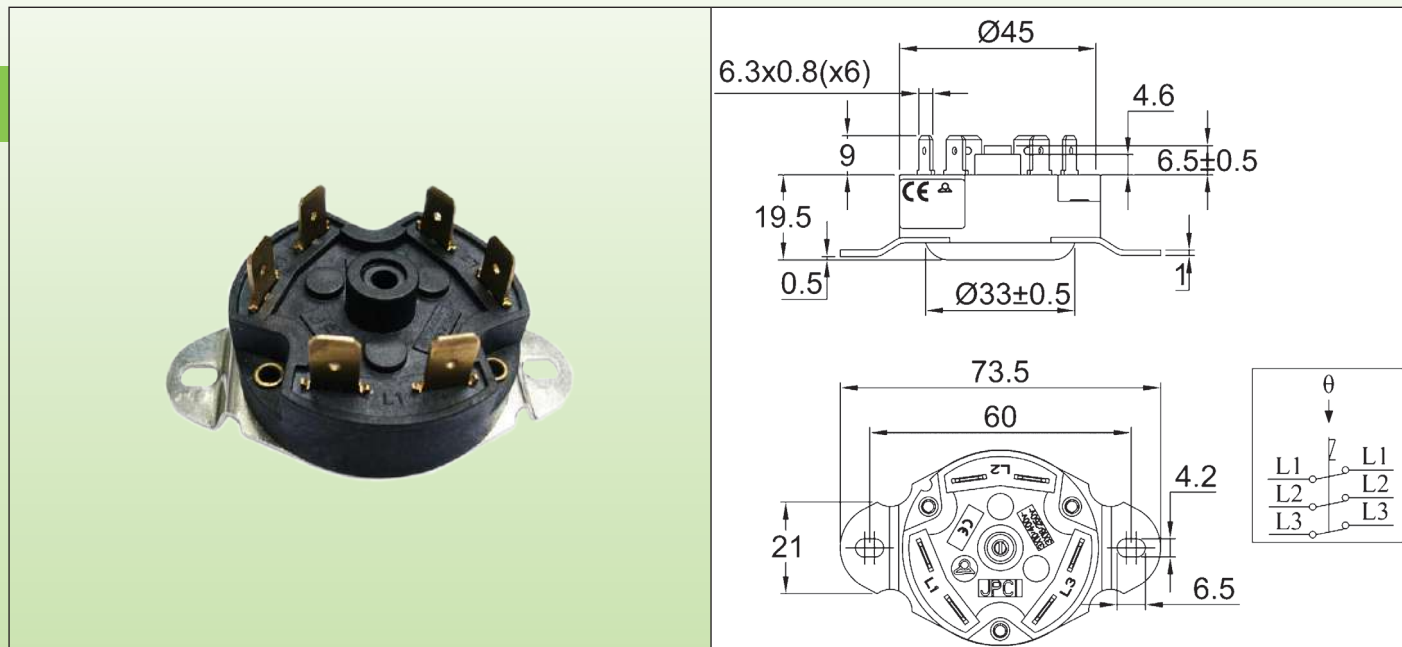
References	Open	Tolerance	Bracket style	Bracket material
4REMR055DBSY100	55°C/ 131°F	±3°C/ ±5.4°F	B	Stainless steel
4REMR065DBSY100	65°C/ 149°F	±4°C/ ±7.2°F	B	Stainless steel
4REMR075DBSY100	75°C/ 167°F	±4°C/ ±7.2°F	B	Stainless steel
4REMR085DBSY100	85°C/ 185°F	±4°C/ ±7.2°F	B	Stainless steel
4REMR090DBSY100	90°C/ 194°F	±4°C/ ±7.2°F	B	Stainless steel
4REMR120DBSY100	120°C/ 248°F	±4°C/ ±7.2°F	B	Stainless steel

Manual reset and thermal cut-out

3 poles manual reset disc thermostat.

Type 4C

Dimensions



Technical features

Applications: Temperature limit of heaters, instant water heaters, saunas steam generators, industrial heaters

Housing dimensions: Diameter 45mm, height 20mm (28mm with terminals)

Body material: High temperature PPS

Temperature sensing element: Bimetal disc

Terminals: 6.35 × 0.8mm quick connect

Set point temperature range: +40°C to +180°C (Factory fixed setting only)

Mounting: Surface mounting fixed bracket, 2 holes 4.4 × 6.4mm, 60mm distance

Rating: 3 × 16A 250VAC, 3 × 10A 400VAC, resistive (10000 cycles)

3 × 25A 250VAC, 3 × 16A 400VAC (300 cycles)

Contact: 3 snap action contacts, double break, open on temperature rise.

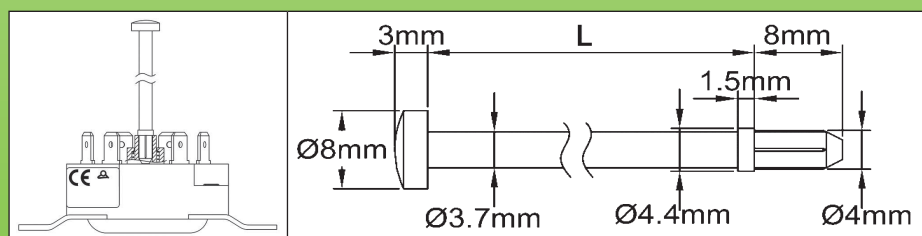
Max ambient temperature: 180°C(356°F)

Approvals: Comply with EN 60730-1 and EN 60730-2 standards (CE mark)

Main references

References	Operating Temperature (°C/ °F)	Tolerance (°C/ °F)	References	Operating Temperature (°C/ °F)	Tolerance (°C/ °F)
4C504T070RMEM60D	70°C/ 158°F	±4°C/ ±7.2°F	4C504T105RMEM60D	105°C/ 221°F	±6°C/ ±10.8°F
4C504T075RMEM60D	75°C/ 167°F	±4°C/ ±7.2°F	4C504T110RMEM60D	110°C/ 230°F	±6°C/ ±10.8°F
4C504T080RMEM60D	80°C/ 176°F	±5°C/ ±9°F	4C504T120RMEM60D	120°C/ 248°F	±6°C/ ±10.8°F
4C504T085RMEM60D	85°C/ 185°F	±5°C/ ±9°F	4C504T130RMEM60D	130°C/ 266°F	±6°C/ ±10.8°F
4C504T090RMEM60D	90°C/ 194°F	±5°C/ ±9°F	4C504T140RMEM60D	140°C/ 284°F	±7°C/ ±12.6°F
4C504T095RMEM60D	95°C/ 203°F	±5°C/ ±9°F	4C504T150RMGM60D	150°C/ 302°F	±7°C/ ±12.6°F
4C504T100RMEM60D	100°C/ 212°F	±5°C/ ±9°F	4C504T160RMEM60D	160°C/ 320°F	±7°C/ ±12.6°F

Accessories



Long distance manual reset rods

L	Reference
114	664CLR114
30	664CLR030

Other lengths on request

Update 2024/12/12

Manual reset and thermal cut-out

SPNC manual reset high limit, fixed or adjustable set point, fail-safe, 20A.

Type 8L

Dimensions

T85 types		
T150 types		
<p>8L0: M10 mounting, T85 8L3: M10 mounting, T150</p> <p>1: Reset button cap 2: Reset button 3: Capillary sleeving 4: Ground terminal (option)</p>	<p>8L1: 2 × M4 screws mounting, T85 8L4: 2 × M4 screws mounting, T150</p> <p>1: Reset button cap 2: Reset button 3: Capillary sleeving 4: Ground terminal (option) 5: 2xM4 mounting bracket</p>	<p>8L2: 2 × M4 screws mounting and mini adjustment dial, T85 8L5: 2 × M4 screws mounting and mini adjustment dial, T150</p> <p>1: Reset button cap 2: Reset button 3: Capillary sleeving 4: Ground terminal (option) 5: 2xM4 mounting bracket 6: Mini adjustment dial</p>

Technical features

Applications: Protection against the overheating of the heaters due to an abnormal rise of the liquid temperature due to a flow failure. The mounting of the bulbs can be made inside standard dia. 8.5mm pockets, or in an additional thermowell added on request.

Through wall fittings on capillary are also available. The thermostat body can be installed in a protective cover of the heating elements outputs, or remotely in a separate control cabinet. They are resettable after tripping, but prior full audit of the circuit is essential to find the cause of overheating and correct it before restarting.

Because of permanent improvement of our products, drawings, descriptions, features used on these data sheets are for guidance only and can be modified without prior advice



Manual reset and thermal cut-out

Housing dimensions: 24.7 × 33 × 26mm (without terminals and reset). These thermostats exist in two ambient temperature resistance classes: T85 (cheapest) or T150

Bulb and capillary: Stainless steel, capillary length 250mm to 1500mm, 100mm long PVC sleeve on capillary. Capillary minimum bending radius 5mm.

Temperature sensing element: Liquid filled bulb and capillary.

Terminals: 6.35 × 0.8 quick connect terminals (M4 screws also available on request). Terminals can be vertical, horizontal or bended at 45°

Adjustment: Fixed setting, sealed or adjustable by mini dial

Manual reset: Fail-safe, front access reset button

Fail-safe contact action by low temperature: Temperatures under -10°C (14°F) will trigger the manual reset.

Mounting: Front bushing with M10 × 1 thread, Maximum recommended tightening torque of M10x1 nut: 1N.m (with 3.5mm thickness nut)

Rating: 20(4)A 250V/16 (4)A 400VAC

Contacts: SPNC snap action contact

Max ambient temperature on body: 85°C (185°F).

Acceptable degree of pollution for use in 250V: 3

Acceptable degree of pollution for use in 400V: 3

Main references in T85 *** with 750mm capillary* and vertical 6.35mm terminals**

References, M10 mounting	References, 2 × M4 bracket mounting	References, 2 × M4 bracket mounting and mini dial	Calibration temperature (°C/°F)	Bulb diameter (D, mm)	Bulb length (E, mm)	Max temperature on bulb (°C/°F)
8L0070105AG60000	8L1070105AG60000	8L2070105AG60000	70 +0/-8°C (158 +0/-14.4°F)	6	77	105°C/221°F
8L0080105AG60000	8L1080105AG60000	8L2080105AG60000	80 +0/-8°C (176 +0/-14.4°F)	6	77	105°C/221°F
8L0090115AG60000	8L1090115AG60000	8L2090115AG60000	90 +0/-8°C (194 +0/-14.4°F)	6	77	115°C/239°F
8L0100120AG60000	8L1100120AG60000	8L2100120AG60000	100 +0/-8°C (212 +0/-14.4°F)	6	77	120°C/248°F
8L0110135AG60000	8L1110135AG60000	8L2110135AG60000	110 +0/-8°C (230 +0/-14.4°F)	6	77	135°C/275°F
8L0120145AG60000	8L1120145AG60000	8L2120145AG60000	120 +0/-8°C (248 +0/-14.4°F)	6	77	145°C/293°F
8L0130155AG60000	8L1130155AG60000	8L2130155AG60000	130 +0/-8°C (266 +0/-14.4°F)	6	74	155°C/311°F
8L0150175AG60000	8L1150175AG60000	8L2150175AG60000	150 +0/-8°C (302 +0/-14.4°F)	6	74	175°C/347°F
8L0170195AG50000	8L1170195AG50000	8L2170195AG50000	170 +0/-10°C (338 +0/-18°F)	5	70	195°C/383°F
8L0190215AG50000	8L1190215AG50000	8L2190215AG50000	190 +0/-10°C (374 +0/-18°F)	5	70	215°C/419°F
8L0210235AG40000	8L1210235AG40000	8L2210235AG40000	210 +0/-12°C (410 +0/-22°F)	4	65	235°C/455°F
8L0230255AG40000	8L1230255AG40000	8L2230255AG40000	230 +0/-12°C (446 +0/-22°F)	4	65	255°C/490°F

* Capillary 250mm: replace G by A in the reference; Capillary 1m: replace G by J in the reference; Capillary 1.5m: replace G by O in the reference.

** Horizontal 6.35 terminals, replace 0000 by 2000 in the reference; 45° bended 6.35 terminals, replace 0000 by 1000 in the reference. Screw terminals, ask for data sheet.

*** Ground terminal option: replace 0000 at the end of references by 0G00

**** T150 types, replace 8L0 by 8L3, 8L1 by 8L4, 8L2 by 8L5.

Set point temperature up to 500°C can be made, without fail safe action for calibration higher than 400°C. Ask for specific data sheet.

Accessories (Must be ordered separately, shipped assembled on capillary)

		Nickel plated brass capillary fitting for use on liquids up to 130°C (Capillary gasket in NBR)	66RL41LS30000000
		Nickel plated brass capillary fitting for use on liquids up to 230°C (Capillary gasket in FKM)	66RL41LS20000000
		Stainless steel 304 capillary fitting for use on liquids up to 130°C (Capillary gasket in NBR)	66RIMEPM9X1041C7
		Stainless steel 304 capillary fitting for use on liquids up to 230°C (Capillary gasket in FKM)	66RIMEPM9X1041C8
		Stainless steel 304 capillary fitting for use on liquids up to 500°C (Capillary gasket in graphite)	66RIMEVM9X1041C9

Update 2026/05/15

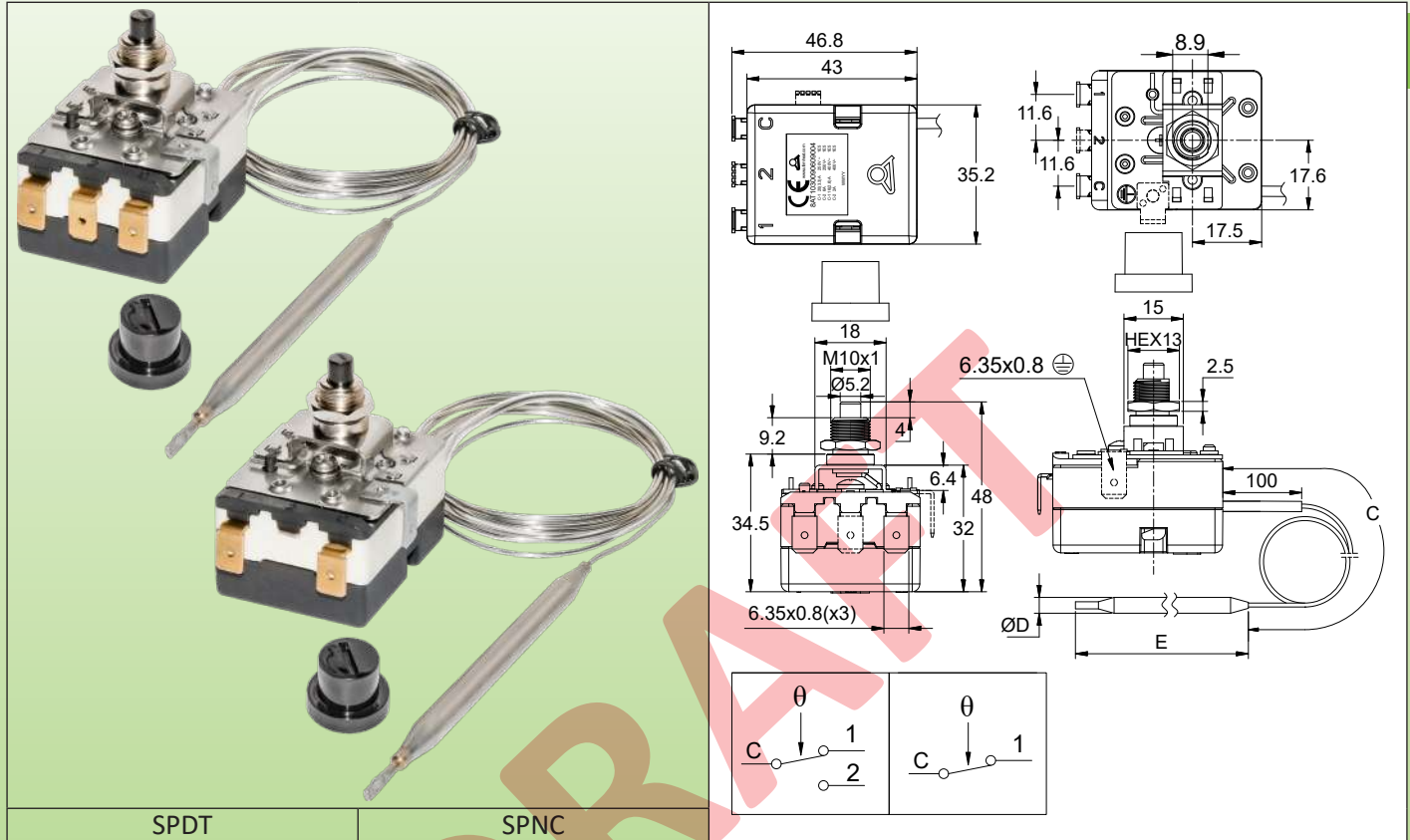


Manual reset and thermal cut-out

Single pole manual reset fixed setting limiter 20A 250V, 16A 400V. Set point up to 550°C

Type 8A

Dimensions



Technical features

Housing dimensions: 43 × 35,2 × 34.5mm (without terminals and bush thread)

Bulb and capillary: stainless steel, with 100 mm long PVC sleeve on the capillary. PTFE sleeving for ranges 300°C and above. Other sleeving lengths on request. Capillary minimum bending radius is 5 mm. Capillary for temperature ranges above 300°C (750°F) has PTFE sleeve on its full length excepted 150mm on bulb side

Temperature sensing element: Oil filled bulb and capillary.

Caution: Temperature ranges above 400°C (750°F) are filled with sodium-potassium eutectic. In case of breakage of the bulb or capillary, this liquid may self-ignite at room temperature in the presence of water or moisture.

Terminals: 6.35 × 0.8 quick connect terminals, 90° bended. Straight terminals or 30 or 60° bended terminals also available on request. (MOQ apply). Terminal positions and alignment allow the use of a connector with flat or bended terminals.

Adjustment: Factory fixed setting, up to 550°C

Mounting: M10×1 center bush (M8 on request)

Grounding: 6.35×0.8 QC terminal in option

Contact: SPDT or SPNC

Electrical rating:

When the rated voltage is 250V~:

- Open on temperature rise contact (C-1): 20(3.3)A 250V~, 50-60Hz
- Close on temperature rise contact (C-2): 3A 250V~, 50 ~60Hz

When the rated voltage is 400V~:

- Open on temperature rise contact (C-1): 16(2.6)A 400V~, 50-60Hz
- Close on temperature rise contact (C-2): 2A 400V~, 50 ~60Hz

Electrical life: 6,000 cycles

Max ambient temperature on body: 150°C (302°F)

Acceptable degree of pollution for use in 250V: 3

Acceptable degree of pollution for use in 400V: 2

Because of permanent improvement of our products, drawings, descriptions, features used on these data sheets are for guidance only and can be modified without prior advice



Manual reset and thermal cut-out

Main references (M10×1 bush mounting) *

References with NC contact	References with SPDT contact	Set point range limits °C (°F)	Capillary length (mm)	Bulb diameter (mm)
8AC1-----615004**	8AT1-----615004**	Up to 300°C (570°F)	1500	6mm standard, 4, 5, mm in option
8AC1-----609004**	8AT1-----609004**	Up to 300°C (570°F)	900	6mm standard, 4, 5, mm in option
8AC1-----602504**	8AT1-----602504**	Up to 300°C (570°F)	250	6mm standard, 4, 5, mm in option
8AC1-----C15034**	8AT1-----C15034**	From 300 to 550°C (570°F to 1020°F)	1500	4mm in standard, 3mm in option
8AC1-----C09034**	8AT1-----C09034**	From 300 to 550°C (570°F to 1020°F)	900	4mm in standard, 3mm in option
8AC1-----C02534**	8AT1-----C02534**	From 300 to 550°C (570°F to 1020°F)	250	4mm in standard, 3mm in option

* M8 bush mounting: replace 8AC1 by 8AC8 or 8AT1 by 8AT8 in the reference.

** ----- is the calibration temperature followed by maximum overheat allowed on the bulb (°C).

Capillary fittings options (shipped assembled on capillary)

		Nickel plated brass capillary fitting for use on liquids up to 130°C (Capillary gasket in NBR)	66RL41LS30000000
		Nickel plated brass capillary fitting for use on liquids up to 230°C (Capillary gasket in FKM)	66RL41LS20000000
		Stainless steel 304 capillary fitting for use on liquids up to 130°C (Capillary gasket in NBR)	66RIMEPM9X1041C7
		Stainless steel 304 capillary fitting for use on liquids up to 230°C (Capillary gasket in FKM)	66RIMEPM9X1041C8
		Stainless steel 304 capillary fitting for use on liquids up to 500°C (Capillary gasket in graphite)	66RIMEVM9X1041C9

3 way connector. Exists unassembled, with female terminals non-crimped, or assembled, with crimped wires, length, gauge and style upon customer request.

		66KG3635*
--	--	-----------

* The 16 character full reference is issued upon customer wire types and length specs.

Many other accessories are available: pockets, flanges, fittings: see the full list in catalogue #1.

Because of permanent improvement of our products, drawings, descriptions, features used on these data sheets are for guidance only and can be modified without prior advice



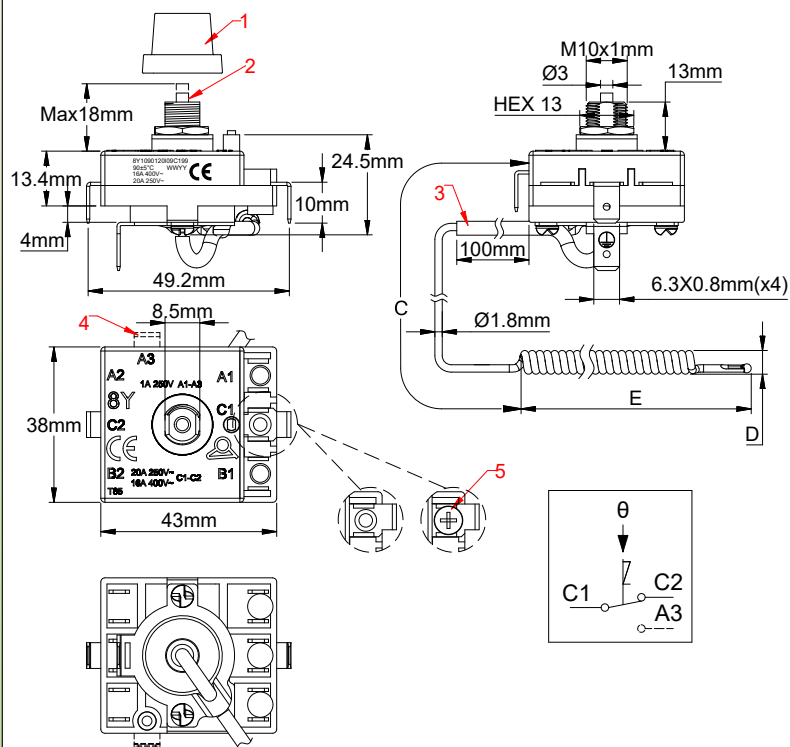
Manual reset and thermal cut-out

SPNC (8Y) and DPNC (8X) manual reset high limit, fail-safe, 20A, with single pole change over contact in option. Front mounting, small footprint.

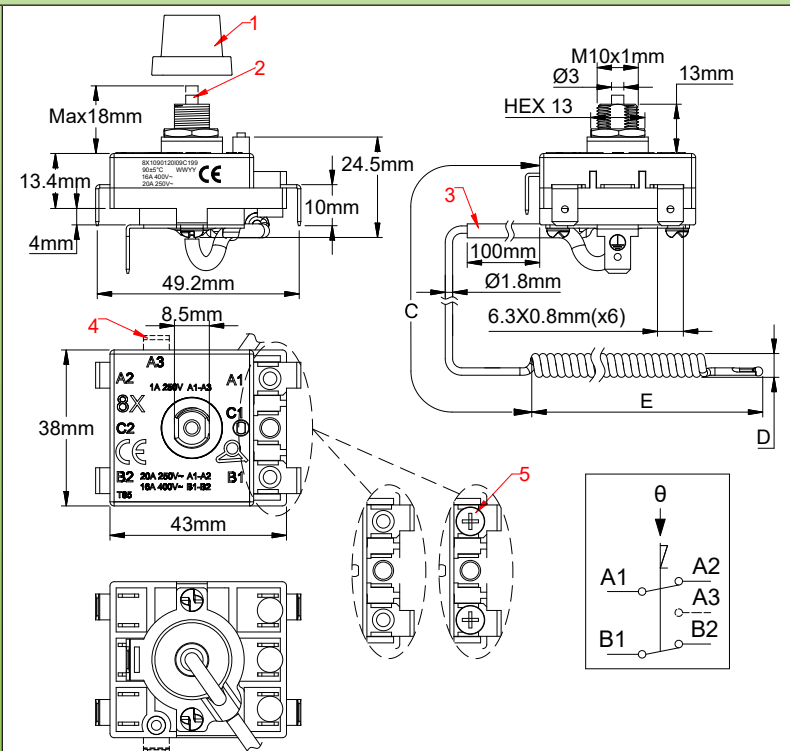
Type 8X and 8Y

Dimensions

8Y



8X



1: Manual reset plastic cap (Black); 2: Reset button; 3: PVC sleeved copper capillary; 4: Terminal of the SPNO contact (Option); 5: Screws on terminals A1 and B1 (option)

Because of permanent improvement of our products, drawings, descriptions, features used on these data sheets are for guidance only and can be modified without prior advice



Manual reset and thermal cut-out

Main applications

Temperature safety on hot water tanks, electric radiators, electro-thermal heating equipment.

Technical features

Housing dimensions: 42.3 × 37.3 × 23mm (without terminals and diaphragm)

Capillary: Copper, capillary length 250mm, 500 or 900mm. Black PVC sleeve on capillary. Capillary minimum bending radius 5mm.

For technical reasons, we do not recommend to use capillary length longer than 900mm. We don't recommend 250mm long capillary for calibration temperature above 90°C (194°F)

Special lengths on request.

Bulb: Copper, corkscrew type for temperatures from 60 to 212°C (140 to 414°F).

Straight uncoiled capillary available on request

Temperature sensing element: Liquid-filled thermostatic assembly whose boiling causes tripping of the contact. Therefore, unlike liquid filled systems, these thermostats are sensitive to atmospheric pressure, and their reaction time is faster.

Terminals: Four 6.35 × 0.8 quick connect terminals, or two M4 input screw terminals and two 6.35 × 0.8 tab terminals for connection to heater. (Two 6.35 × 0.8 quick connect terminals, or one M4 input screw terminal and one 6.35 × 0.8 tab terminals for connection to heater in the 8Y version). In the model with one auxiliary close on rise terminal, this output connection is mandatory 6.35 × 0.8 tab.

6.35 × 0.8 tabs can have different bending angle. References on request. (MOQ apply)

Adjustment: Fixed setting

Mounting: Front bushing, with M10×1, maximum recommended tightening torque of M10x1 nut: 1N.m (with 3.5mm thickness nut)

Manual reset: Fail-safe action, front access button

Contacts: Double pole single throw 20A 250V snap action contact.(One SPNC contact in 8Y version). In option: DPST + 1 close on rise auxiliary contact with 1A 250V rating. (One SPNC contact in 8Y version). One SPNC+ 1 close on rise auxiliary contact with 1A 250V rating in 8Y version.

Max ambient temperature on head: 85°C (185°F). Must not be higher than calibration temperature -10°C (-18°F).

Acceptable degree of pollution for use in 250V: 3

Not to be used in 400V

Main references with 90° bended QC terminals *, 2 pole contacts **

References with four 6.35 terminals	References with two 6.35 terminals and two M4 screw terminals	Calibration temperature (°C/°F)	Minimum resettable temperature (°C/°F)	Capillary length (C, mm)	Bulb diameter (D, mm)	Bulb length (E, mm)	Max temperature on bulb (°C/°F)
8XA060090N096199	8XC060090N0961S9	60±5°C/ 140±9°F	20°C/ 68°F	900	6	50	90°C/ 194°F
8XA060090N056199	8XC060090N0561S9			500			
8XA060090N026199	8XC060090N0261S9			250			
8XA070100N096199	8XC060100N0961S9	70±5°C/ 158±9°F	30°C/ 86°F	900	6	50	100°C/ 212°F
8XA070100N056199	8XC060100N0561S9			500			
8XA070100N026199	8XC060100N0261S9			250			
8XA080110N096199	8XC080110N0961S9	80±5°C/ 176±9°F	40°C/ 104°F	900	6	50	110°C/ 230°F
8XA080110N056199	8XC080110N0561S9			500			
8XA080110N026199	8XC080110N0261S9			250			
8XA090120N096199	8XC090120N0961S9	90±5°C/ 194±9°F	50°C/ 122°F	900	6	50	120°C/ 248°F
8XA090120N056199	8XC090120N0561S9			500			
8XA090120N026199	8XC090120N0261S9			250			
8XA110140N096199	8XC090120N0961S9	110±5°C/ 230±9°F	70°C/ 158°F	900	6	50	140°C/ 284°F
8XA110140N056199	8XC110140N056199			500			
8XA120150N096199	8XC120150N096199	120±6°C/ 248±10.8°F	80°C/ 176°F	900	6	60	150°C/ 302°F
8XA120150N056199	8XC120150N056199			500			
8XA130160N096199	8XC130160N096199	130±6°C/ 266±10.8°F	90°C/ 194°F	900	6	60	160°C/ 320°F
8XA130160N056199	8XC130160N056199			500			

* With 1A 250V auxiliary close on temperature rise contact, replace 8XA by 8XB or 8XC by 8XD in the reference.

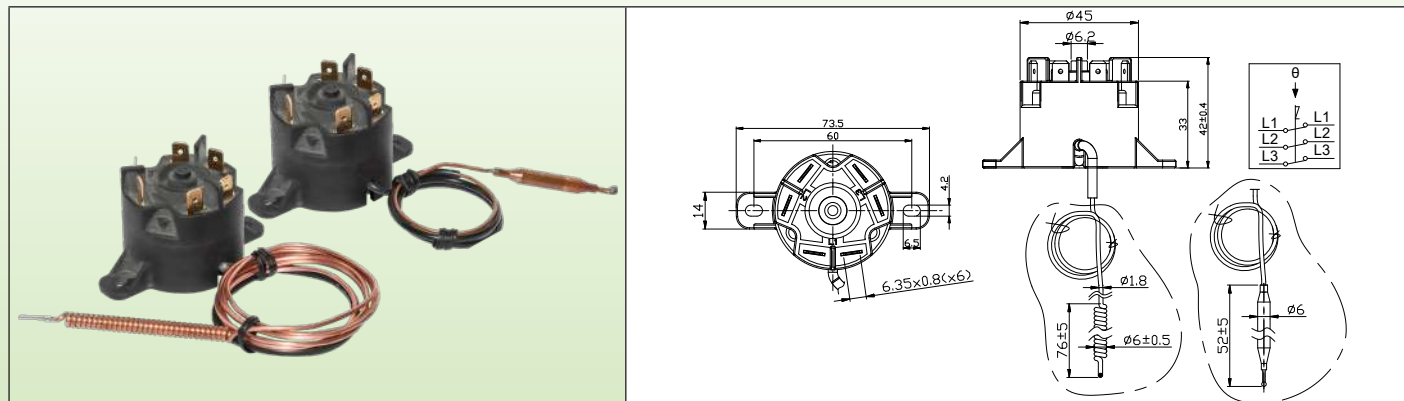
** For single pole contact, replace 8X by 8Y.

- Maximum manual reset set point is 212°C ±12°C. Ask for specific data sheets.



Manual reset and thermal cut-out

3 poles manual reset high limit, fail safe, 25A 250V, 20A 400V, rear mounting Type 82



Technical features

Applications: Protection against the overheating of the heaters due to an abnormal rise of the liquid temperature due to a flow failure. The mounting of the bulbs can be made inside standard dia. 8.5mm pockets, or in an additional thermowell added on request. The thermostat body can be installed in a protective cover of the heating elements outputs, or remotely in a separate control cabinet. They are resettable after tripping, but prior full audit of the circuit is essential to find the cause of overheating and correct it before restarting.

Housing dimensions: dia. 45 × 42 mm

Capillary: copper, capillary length 250mm or 900 mm, 150 mm long PVC sleeve on capillary. Capillary minimum bending radius 5 mm.

For technical reasons, we do not recommend to use capillary length longer than 900 mm.

Bulb or helicoid capillary: copper, dia. 6 mm

Temperature sensing element: Liquid-filled thermostatic assembly whose boiling causes tripping of the contact. Therefore, unlike liquid filled systems, these thermostats are little sensitive to atmospheric pressure.

Terminals: 6.35 × 0.8 quick connect terminals

Adjustment: factory fixed setting available between 50°C and 212°C

Mounting: Backside legs, 2 M4 screws, holes distance 60 mm

Manual reset: fail safe action, center button

Rating: 3 × 25A 250VAC, 3 × 20A 400VAC, resistive (6000 cycles), UL, CUL, CE (T85).

Contacts: three poles, open on temperature rise (snap action contact), double break.

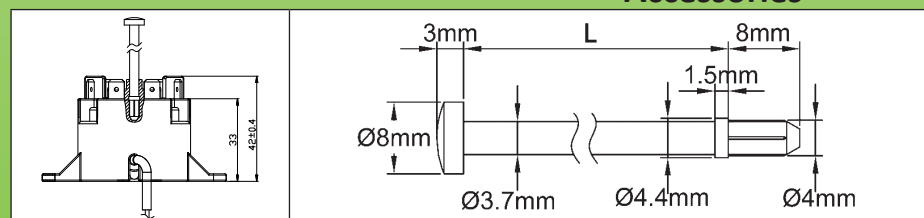
Max ambient temperature on head: 150°C (302°F).

Main references with helicoid bulb

Reference	Calibration Temperature (°C/ °F)	Minimum resettable temperature (°C/ °F)	Capillary length (C, mm)	Bulb diameter (D, mm)	Bulb length (L, mm)	Max temperature on bulb (°C/ °F)
820060090AI610F1	60±5°C/140±9°F	20°C/68°F	900	6	50	90°C/ 194°F
820060090AI610F1	60±5°C/140±9°F	20°C/68°F	250	6	50	90°C/ 194°F
820070100AI610F1	70±5°C/158±9°F	30°C/86°F	900	6	50	100°C/ 212°F
820080110AI610F1	80±5°C/176±9°F	40°C/104°F	900	6	50	110°C/ 230°F
820090120AI610F1	90±5°C/194±9°F	50°C/122°F	900	6	50	120°C/ 248°F
820110140AI610F1	110±5°C/230±9°F	70°C/158°F	900	6	50	140°C/ 284°F
820130160AI610F1	130±6°C/266±11°F	90°C/194°F	900	6	60*	160°C/ 320°F
820150180AI610F1	150±7°C/302±13°F	110°C/230°F	900	6	60*	180°C/ 356°F
820170200AI610F1	170±7°C/338±13°F	130°C/266°F	900	6	60*	200°C/ 392°F

- Maximum manual reset set point is 212°C ±12°C. Ask for specific data sheets

Accessories



Long distance manual reset rods

L	Reference
114	664CLR114
30	664CLR030

Other lenght on request

Update 2026/03/26

Contact us

www.ultimheat.com

Cat1-3-6-13

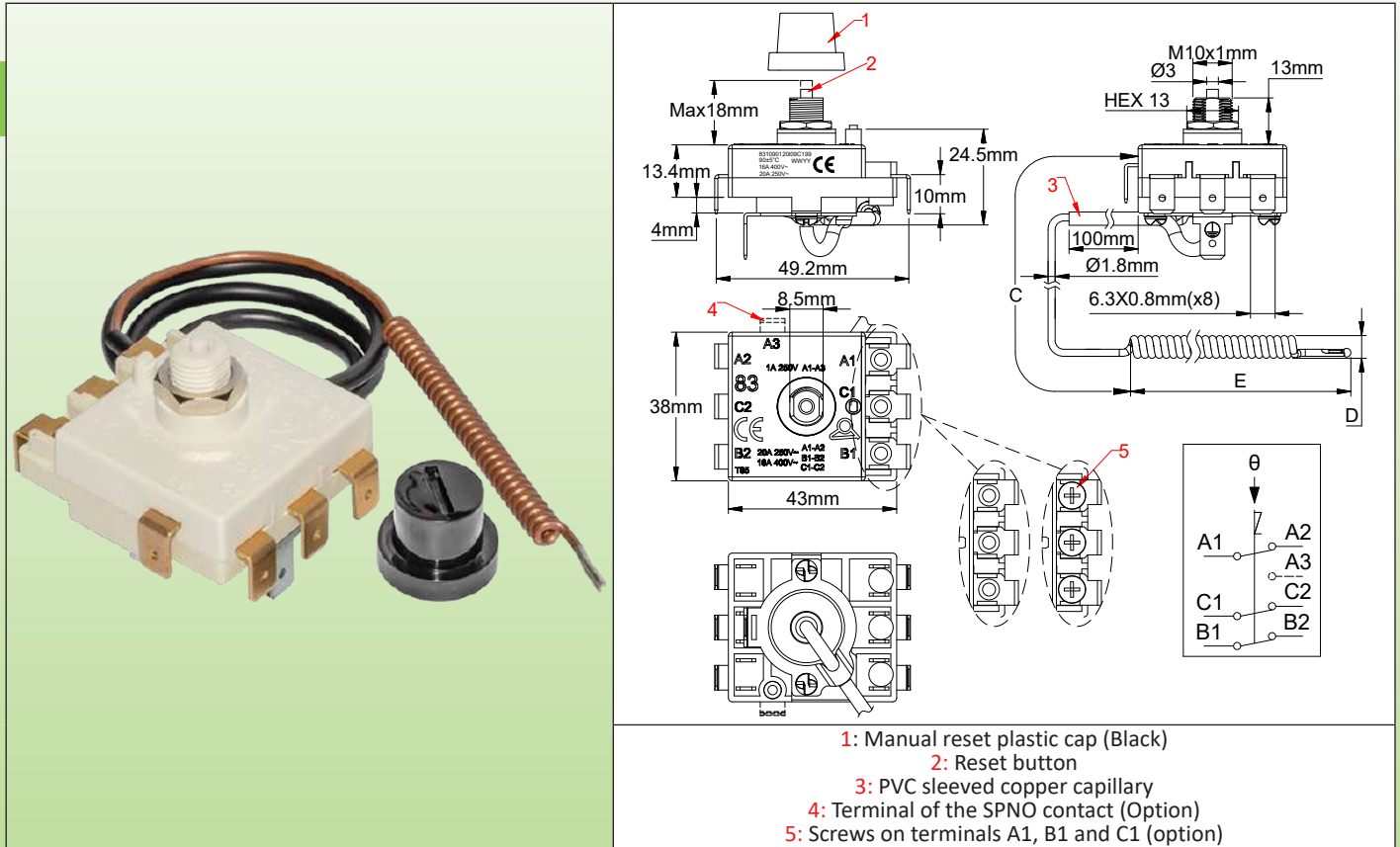
Because of permanent improvement of our products, drawings, descriptions, features used on these data sheets are for guidance only and can be modified without prior advice

Manual reset and thermal cut-out

3 pole manual reset high limit, fail-safe, 20A 250V, 16A 400V

Type 83

Dimensions



Main applications

Temperature safety on hot water tanks, electric radiators, electro-thermal heating equipment.

Technical features

Housing dimensions: 42.3 × 37.3 × 23mm (without terminals and diaphragm)

Capillary: Copper, capillary length 250mm, 500 or 900mm. Black PVC sleeve on capillary. Capillary minimum bending radius 5mm.

For technical reasons, we do not recommend to use capillary length longer than 900mm. We don't recommend 250mm long capillary for calibration temperature above 90°C (194°F)

Special lengths on request.

Bulb: Copper, corkscrew type for temperatures from 60 to 212°C (140 to 414°F).

Straight uncoiled capillary available on request

Temperature sensing element: Liquid-filled thermostatic assembly whose boiling causes tripping of the contact. Therefore, unlike liquid filled systems, these thermostats are sensitive to atmospheric pressure, and their reaction time is faster.

Terminals: Six 6.35 × 0.8 quick connect terminals, or three M4 input screw terminals and three 6.35 × 0.8 tab terminals for connection to heater. In the model with one auxiliary close on rise terminal, this output connection is mandatory 6.35 × 0.8 tab.

6.35 × 0.8 tabs can have different bending angle. References on request. (MOQ apply)

Adjustment: Fixed setting

Mounting: Front bushing, with M10x1, Maximum recommended tightening torque of M10x1 nut: 1N.m (with 3.5mm thickness nut)

Manual reset: Fail-safe action, front access button

Contacts: 3 pole single throw 20A 250V, 16A 400V snap action contact. In option: 3 pole single throw + 1 close on rise auxiliary contact

Max ambient temperature on head: 85°C (185°F).. Must not be higher than calibration temperature -10°C (-18°F)

Acceptable degree of pollution for use in 250V: 3

Acceptable degree of pollution for use in 400V: 2



Manual reset and thermal cut-out

Main references with 90° bended QC terminals *

References with six 6.35 terminals	References with three 6.35 terminals and three M4 screw terminals	Calibration temperature (°C/°F)	Minimum resettable temperature (°C/°F)	Capillary length (C, mm)	Bulb diameter (D, mm)	Bulb length (E, mm)	Max temperature on bulb (°C/°F)
83A060090N096199	83C060090N0961S9	60±5°C/ 140±9°F	20°C/ 68°F	900	6	50	90°C/ 194°F
83A060090N056199	83C060090N0561S9			500			
83A060090N026199	83C060090N0261S9			250			
83A070100N096199	83C060100N0961S9	70±5°C/ 158±9°F	30°C/ 86°F	900	6	50	100°C/ 212°F
83A070100N056199	83C060100N0561S9			500			
83A070100N026199	83C060100N0261S9			250			
83A080110N096199	83C080110N0961S9	80±5°C/ 176±9°F	40°C/ 104°F	900	6	50	110°C/ 230°F
83A080110N056199	83C080110N0561S9			500			
83A080110N026199	83C080110N0261S9			250			
83A090120N096199	83C090120N0961S9	90±5°C/ 194±9°F	50°C/ 122°F	900	6	50	120°C/ 248°F
83A090120N056199	83C090120N0561S9			500			
83A090120N026199	83C090120N0261S9			250			
83A110140N096199	83C090120N0961S9	110±5°C/ 230±9°F	70°C/ 158°F	900	6	50	140°C/ 284°F
83A110140N056199	83C110140N056199			500			
83A120150N096199	83C120150N096199	120±6°C/ 248±10.8°F	80°C/ 176°F	900	6	60	150°C/ 302°F
83A120150N056199	83C120150N056199			500			
83A130160N096199	83C130160N096199	130±6°C/ 266±10.8°F	90°C/ 194°F	900	6	60	160°C/ 320°F
83A130160N056199	83C130160N056199			500			

* With 1A 250V auxiliary close on temperature rise contact, replace 83A by 83B or 83C by 83D in the reference.
- Maximum manual reset set point is 212°C ±12°C. Ask for specific data sheets

Because of permanent improvement of our products, drawings, descriptions, features used on these data sheets are for guidance only and can be modified without prior advice

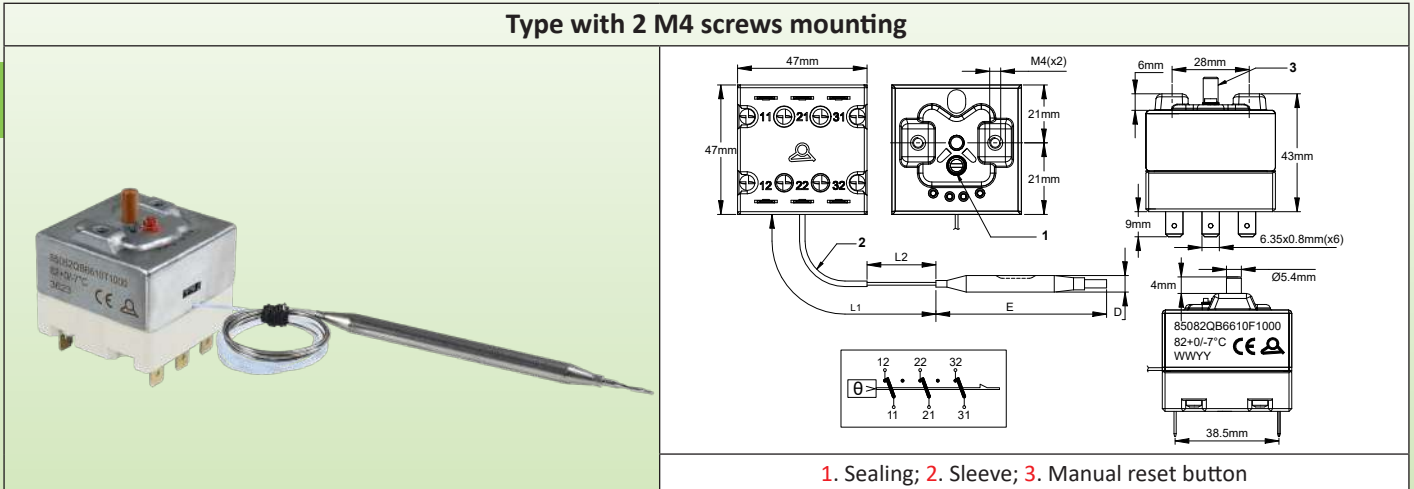
Manual reset thermal cut-out

3 poles manual reset high limit, fail-safe, 3PNC, 25A 250/400V

Type 85

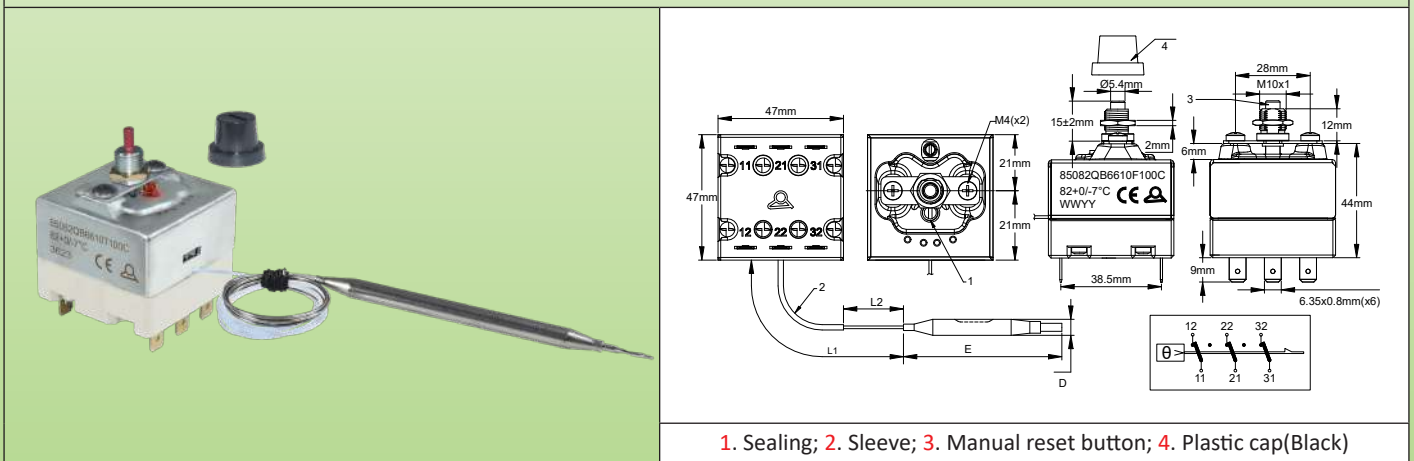
Dimensions

Type with 2 M4 screws mounting



1. Sealing; 2. Sleeve; 3. Manual reset button

Type with M10 central bush mounting



1. Sealing; 2. Sleeve; 3. Manual reset button; 4. Plastic cap (Black)

Technical features

Housing dimensions:

- Two M4 screws, 28mm distance mounting: 47 × 47 × 43mm (terminals not included).
- Type with M10 central bush mounting: 47 × 47 × 56mm (terminals not included).

Bulb and capillary: Stainless steel, capillary length 250mm with 150mm long sleeve on capillary or 1000mm with 900mm long sleeve on capillary. Capillary minimum bending radius 5mm.

Temperature sensing element: Liquid filled bulb and capillary.

Terminals: 6.35 × 0.8 quick connect terminals (M4 screw with saddle see 87 type).

Adjustment: Fixed setting, sealed.

Manual reset: Fail-safe, fixed setting, front access reset button.

Fail-safe contact action by low temperature: Temperature under -15°C (5°F) will trigger the manual reset. Then it is possible to manually reset the contacts when temperature resumes to normal.

Mounting: 2 screws M4, 28mm distance. (Front bushing, M10 × 1 thread available on request), Maximum recommended tightening torque of M10x1 nut: 1.2N.m (with 3.5mm thickness nut)

Rating: 25(4)A 250/400VAC resistive (UL:T85; CE:T125).

Contacts: 3 snap action simultaneous contact, open on temperature rise.

Max ambient temperature on body: 85°C (185°F).

Other technical features: Ask for technical data sheet of the specific product.

Options:

- M14 fitting on capillary (for water baths and deep fryers).
- Central M10 bush mounting.
- 1, 2, or 3 gold plated contacts for thermocouple circuits or electronic low voltage devices.

Approvals: CE (by TÜV). UL

Acceptable degree of pollution for use in 250V: 3

Acceptable degree of pollution for use in 400V: 2



Manual reset thermal cut-out

Main references, without capillary fitting*, 2 M4 screws mounting**

Reference	Calibration temperature °C (°F)	Capillary length (L1, mm)	Bulb diameter (D, mm)	Bulb length (E, mm)	Max temperature on bulb (°C/°F)
85080QB6610TF000	80+0/-7°C (176+0/-12.6°F)	1000	6	60	270°C/518°F
85080QB66BETF000	80+0/-7°C (176+0/-12.6°F)	250	6	60	270°C/518°F
85090QB6610TF000	90+0/-7°C (194+0/-12.6°F)	1000	6	60	270°C/518°F
85100QB6610TF000	100+0/-10°C (212+0/-18°F)	1000	6	60	270°C/518°F
85130QB6510TF000	130+0/-10°C (266+0/-18°F)	1000	6	55	270°C/518°F
85150QB6510TF000	150+0/-15°C (302+0/-27°F)	1000	6	55	270°C/518°F
85175QB4410TF000	175+0/-15°C (347+0/-27°F)	1000	4	45	270°C/518°F
85220QB4410TF000	220+0/-15°C (428+0/-27°F)	1000	4	40	270°C/518°F
85270QB4410TF000	270+0/-20°C (518+0/-36°F)	1000	4	40	295°C/563°F
85300QB4410TF000	300+0/-20°C (572+0/-36°F)	1000	4	40	325°C/617°F

Other temperatures and capillary length on request.

* - With 120°C (248°F) capillary fitting for Bain Marie, replace 000 by 300 in the reference

- With 220°C (428°F) capillary fitting for deep fryers, replace 000 by 400 in the reference

** - With M10x1 central bush fixing, replace the last character 0 by C in the reference

Other temperature ranges with calibration up to 500°C can be achieved, but without fail-safe if calibration above 450°C. Consult us for references.

Capillary fittings, shipped assembled on the capillary (nickel plated brass or 304 stainless steel)

		Nickel plated brass capillary fitting for use on liquids up to 130°C (Capillary gasket in NBR)	66RL41LS30000000
		Nickel plated brass capillary fitting for use on liquids up to 230°C (Capillary gasket in FKM)	66RL41LS20000000
		Stainless steel 304 capillary fitting for use on liquids up to 130°C (Capillary gasket in NBR)	66RIMEPM9X1041C7
		Stainless steel 304 capillary fitting for use on liquids up to 230°C (Capillary gasket in FKM)	66RIMEPM9X1041C8
		Stainless steel 304 capillary fitting for use on liquids up to 500°C (Capillary gasket in graphite)	66RIMEVM9X1041C9



Manual reset thermal cut-out

Main references, without capillary fitting*, 2 M4 screws mounting**

Reference	Calibration temperature °C (°F)	Capillary length (L1, mm)	Bulb diameter (D, mm)	Bulb length (E, mm)	Max temperature on bulb (°C/°F)
86080QB6610TF000	80+0/-7°C (176+0/-12.6°F)	1000	6	60	270°C/518°F
86080QB66BETF000	80+0/-7°C (176+0/-12.6°F)	250	6	60	270°C/518°F
86090QB6610TF000	90+0/-7°C (194+0/-12.6°F)	1000	6	60	270°C/518°F
86100QB6610TF000	110+0/-10°C (230+0/-18°F)	1000	6	60	270°C/518°F
86130QB6510TF000	130+0/-10°C (266+0/-18°F)	1000	6	55	270°C/518°F
86150QB6510TF000	150+0/-15°C (302+0-27°F)	1000	6	55	270°C/518°F
86175QB4410TF000	175+0/-15°C (347+0/-27°F)	1000	4	45	270°C/518°F
86220QB4410TF000	220+0/-15°C (428+0/-27°F)	1000	4	40	270°C/518°F
86270QB4410TF000	270+0/-20°C (518+0/-36°F)	1000	4	40	295°C/563°F
86300QB4410TF000	300+0/-20°C (572+0/-36°F)	1000	4	40	325°C/617°F

Other temperatures and capillary length on request.

* - With 120°C (248°F) capillary fitting for Bain Marie, replace 000 by 300 in the reference

- With 220°C (428°F) capillary fitting for deep fryers, replace 000 by 400 in the reference

** -With M10x1 central bush fixing, replace the last character 0 by C in the reference

Other temperature ranges with calibration up to 500°C can be achieved, but without fail-safe if calibration above 450°C. Consult us for references.

Capillary fittings, shipped assembled on the capillary (nickel plated brass or 304 stainless steel)

		<p>Nickel plated brass capillary fitting for use on liquids up to 130°C (Capillary gasket in NBR)</p>	66RL41LS30000000
		<p>Nickel plated brass capillary fitting for use on liquids up to 230°C (Capillary gasket in FKM)</p>	66RL41LS20000000
		<p>Stainless steel 304 capillary fitting for use on liquids up to 130°C (Capillary gasket in NBR)</p>	66RIMEPM9X1041C7
		<p>Stainless steel 304 capillary fitting for use on liquids up to 230°C (Capillary gasket in FKM)</p>	66RIMEPM9X1041C8
		<p>Stainless steel 304 capillary fitting for use on liquids up to 500°C (Capillary gasket in graphite)</p>	66RIMEVM9X1041C9

Because of permanent improvement of our products, drawings, descriptions, features used on these data sheets are for guidance only and can be modified without prior advice

Manual reset thermal cut-out

3 poles manual reset high limit, fail-safe, protected M4 screw terminals

Type 87

Dimensions

Type with 2 M4 screws mounting

1. Sealing; 2. Sleeve; 3. Manual reset button

Type with M10 central bush mounting

1. Sealing; 2. Sleeve; 3. Manual reset button; 4. Plastic cap(Black)

Technical features

Housing dimensions:

- Two M4 screws, 28mm distance mounting: 47 × 55 × 52mm.
- Type with M10 central bush mounting: 47 × 55 × 64mm.

Bulb and capillary: Stainless steel, capillary length 250mm with 150mm long FEP sleeve on capillary or 1000 mm with 900 mm long FEP sleeve on capillary. Capillary minimum bending radius 5mm.

Temperature sensing element: Liquid filled bulb and capillary.

Terminals: Protected M4 terminals with saddle

Adjustment: Fixed setting, sealed.

Manual reset: Fail safe, fixed setting, front access reset button.

Fail safe contact action by low temperature: Temperature under -15°C (5°F) will trigger the manual reset. Then it is possible to manually reset the contacts when temperature resumes to normal.

Mounting: 2 screws M4, 28mm distance. (Front bushing, M10×1 thread available on request)



Manual reset thermal cut-out

Rating: 25(4)A 250/400VAC resistive.

Contacts: 3 snap action simultaneous contact, open on temperature rise.

Max ambient temperature on body: 125°C (257°F) for CE ; 85°C (185°F) for UL.

Other technical features: ask for technical data sheet of the specific product.

Options:

- M14 fitting on capillary (for water baths and deep fryers).
- Central M10 bush mounting.

Approvals: CE (by TÜV); UL

Main references, without capillary fitting*, 2 M4 screws mounting**

Reference	Calibration temperature °C (°F)	Capillary length (mm)	Bulb diameter (mm)	Bulb length (mm)	Max temperature on bulb (°C/°F)
87080VB6610QF000	80+0/-7°C (176+0/-13°F)	1000	6	60	270°C/518°F
87080VB66BEQF000	80+0/-7°C (176+0/-13°F)	250	6	60	270°C/518°F
87090VB6610QF000	90+0/-7°C (194+0/-13°F)	1000	6	60	270°C/518°F
87100VB6610TF000	110+0/-10°C (230+0/-18°F)	1000	6	60	270°C/518°F
87130VB6F10TF000	130+0/-10°C (266+0/-18°F)	1000	6	55	270°C/518°F
87150VB6F10TF000	150+0/-15°C (302+0/-27°F)	1000	6	55	270°C/518°F
87175VB4E10TF000	175+0/-15°C (347+0/-27°F)	1000	4	45	270°C/518°F
87220VB4410TF000	220+0/-15°C (428+0/-27°F)	1000	4	40	270°C/518°F
87270VB4410TF000	270+0/-20°C (518+0/-36°F)	1000	4	40	295°C/563°F
87300VB4410TF000	300+0/-20°C (572+0/-36°F)	1000	4	40	325°C/617°F

Other temperatures and capillary length on request.

* With 120°C (248°F) nickel plated capillary fitting for Bain Marie, replace 000 by 300 in the reference

- With 220°C (428°F) nickel plated capillary fitting for deep fryers, replace 000 by 400 in the reference

** With M10×1 central bush fixing, replace the last character 0 by C in the reference.

Other temperature ranges with calibration up to 500°C can be achieved, but without fail-safe if calibration above 450°C. Consult us for references.

Capillary fittings, shipped assembled on the capillary (nickel plated brass or 304 stainless steel)

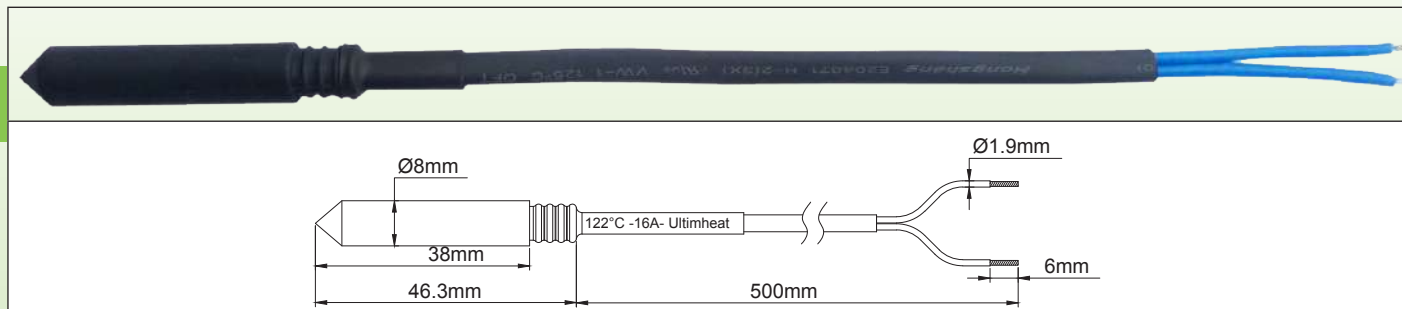
		<p>Nickel plated brass capillary fitting for use on liquids up to 130°C (Capillary gasket in NBR)</p>	66RL41LS30000000
		<p>Nickel plated brass capillary fitting for use on liquids up to 230°C (Capillary gasket in FKM)</p>	66RL41LS20000000
		<p>Stainless steel 304 capillary fitting for use on liquids up to 130°C (Capillary gasket in NBR)</p>	66RIMEPM9X1041C7
		<p>Stainless steel 304 capillary fitting for use on liquids up to 230°C (Capillary gasket in FKM)</p>	66RIMEPM9X1041C8
		<p>Stainless steel 304 capillary fitting for use on liquids up to 500°C (Capillary gasket in graphite)</p>	66RIMEVM9X1041C9

Manual reset and thermal cut-out

Wired thermal cut out, 16A250V, for pocket mounting.

Type 5MA3-F

Dimensions



Technical features

Applications: Protection against overheating of liquids heaters when dry run condition occurs.

These thermal cut outs are designed to fit the pockets with 8.5 ID mounted in standard in the liquids heaters. It may be possible to replace them when they triggered, but it requires a prior full audit of all components of the heater because the important overheating due to lack of water may have damaged other components.

Fusible pellet: Organic compound.

Mechanism: Movable pellet actuated of a spring released by the fusion of the pellet.

Protection: By electrical insulation silicone boot, dia. 8mm.

Locking in the pocket: By silicone grommet

Nominal current rating: 16A 250V

The nominal current rating is the maximum current the fuse can carry without opening or deteriorate when subjected to a temperature known as the "holding temperature" (Th) for a limited time.

Holding temperature (Th): The fuse must not open or be destroyed when subjected to a temperature equal to Th-6°C for a period of 168 hours under nominal voltage and current.

Rated functioning temperature (Tf): It is the opening temperature of the fuse in a calibration oven, when subjected to a current less than 10mA, when temperature rises at a speed of 0.5 to 1°C/ min. The opening temperature must not be lower than Tf-10°C or above Tf under these conditions. This is the operating temperature Tf which is printed on the fuse and the protective sheath external of the leads.

Maximum temperature (Tm): It is the maximum temperature withstood by the fuse after opening without losing its insulating and mechanical properties.

This feature is critical in liquids heaters application, to determine the right position of TCO to avoid its destruction and re-energization of the electrical circuit by high temperature overshoot.

Insulation voltage between open contacts: ≥ 500V

Insulation resistance between open contacts: ≥ 0.2 MΩ @ 500V

Lead lengths: 500mm.

Leads: FEP 300V primary insulation, 1mm² gauge (AWG18), in a polyolefin sheath.

In red: Standard temperatures available from stock.

Main references

Reference	Rated functioning temperature °C/ °F (Tf)	Holding temperature °C/ °F (Th)	Maximum temperature °C/ °F (Tm)
5MA3SPF070F18500	73°C/ 163.4°F	45°C/ 113°F	115°C/ 239°F
5MA3SPF077F18500	79°C/ 174.2°F	52°C/ 125.6°F	125°C/ 257°F
5MA3SPF084F18500	85°C/ 185°F	57°C/ 134.6°F	125°C/ 257°F
5MA3SPF091F18500	94°C/ 201.2°F	66°C/ 150.8°F	140°C/ 284°F
5MA3SPF096F18500	99°C/ 210.2°F	71°C/ 159.8°F	140°C/ 284°F
5MA3SPF106F18500	108°C/ 226.4°F	77°C/ 170.6°F	145°C/ 293°F
5MA3SPF109F18500	113°C/ 235.4°F	84°C/ 183.2°F	150°C/ 302°F
5MA3SPF121F18500	122°C/ 251.6°F	94°C/ 201.2°F	175°C/ 347°F
5MA3SPF129F18500	133°C/ 271.4°F	101°C/ 213.8°F	175°C/ 347°F
5MA3SPF139F18500	142°C/ 287.6°F	114°C/ 237.2°F	185°C/ 365°F
5MA3SPF152F18500	157°C/ 314.6°F	127°C/ 260.6°F	195°C/ 383°F
5MA3SPF165F18500	167°C/ 332.6°F	130°C/ 266°F	205°C/ 401°F
5MA3SPF169F18500	172°C/ 341.6°F	145°C/ 293°F	215°C/ 419°F
5MA3SPF182F18500	184°C/ 363.2°F	156°C/ 312.8°F	225°C/ 437°F
5MA3SPF188F18500	192°C/ 377.6°F	164°C/ 327.2°F	245°C/ 473°F
5MA3SPF216F18500	216°C/ 420.8°F	189°C/ 372.2°F	280°C/ 536°F
5MA3SPF227F18500	227°C/ 440.6°F	190°C/ 374°F	295°C/ 563°F
5MA3SPF240F18500	240°C/ 464°F	190°C/ 374°F	305°C/ 581°F



Because of permanent improvement of our products, drawings, descriptions, features used on these data sheets are for guidance only and can be modified without prior advice

Temperature control thermostat & manual reset thermal cut-out



Because of permanent improvement of our products, drawings, descriptions, features used on these data sheets are for guidance only and can be modified without prior advice



Temperature control thermostat & manual reset thermal cutout

Single pole combination control thermostats 20A, with two poles fail-safe manual reset limiter

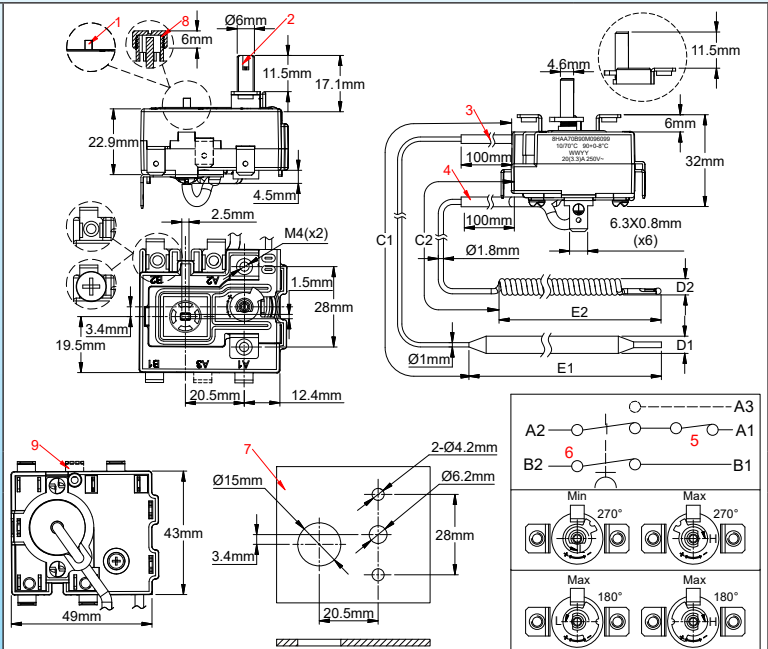
Type 8H Dimensions

Because of permanent improvement of our products, drawings, descriptions, features used on these data sheets are for guidance only and can be modified without prior advice



Unprotected manual reset button

Reset button protected by M10 cap



- E1: Bulb length of temperature control (bulb, stainless steel)
- E2: Bulb length of manual reset (coiled or straight, copper)
- 1: Manual reset button, (unprotected version)
- 2: Temperature adjustment shaft
- 3: Transparent PVC sleeve for temperature control
- 4: Black PVC sleeve for safety capillary
- 5: Temperature control single pole contact (A1 to A2)
- 6: Manual reset double pole normally closed contacts (B1 to B2)
- 7: Mounting board piercing diagram (Allows access to the M10 cap of manual reset, after knob removal) If the M10 manual reset cap option of §8 is not selected, this 15mm hole can be reduced to 5mm

- Options:**
- 8: Manual reset button, M10 screwed cap protected version.
 - 9: SPNO contact on live line, closes when manual reset is triggered (A3).

Main applications

Temperature control and two poles cut off on hot water tanks, including flat tanks, electric radiators, electro-thermal heating equipment.

Technical features

Housing dimensions: 50 × 42 × 30mm (Without adjusting shaft, terminals, bulbs and capillaries)

Capillary of the fail-safe reset: Copper, capillary length 250mm, 500 or 900mm. Black PVC sleeve on capillary. Capillary minimum bending radius 5mm.

For technical reasons, we do not recommend to use capillary length longer than 900mm. We don't recommend 250mm long capillary for calibration temperature above 90°C (194°F)

Special lengths on request.

Bulb of the fail-safe reset: Copper, corkscrew type for temperatures from 60 to 212°C (140 to 414°F).

Straight uncoiled or half length bended capillary available on request

Temperature sensing element of fail-safe diastat: Liquid-filled thermostatic assembly whose boiling causes tripping of the contact. Therefore, unlike liquid expansion systems, these thermostats are sensitive to atmospheric pressure, and their reaction time is faster than liquid filled diastats. Copper capillary.

Measuring element of the temperature control diastat: Liquid-filled thermostatic assembly, the expansion of which triggers the contact. Bulb and capillary in stainless steel, with transparent PVC sleeve. As standard, the two capillaries have the same length and the two bulbs have the same diameter. Different lengths on request.

Terminals: Four 6.35 × 0.8 quick connect terminals, or two M4 input screw terminals and two 6.35 × 0.8 quick connect terminals for connection to heater. In the model with one auxiliary close on rise terminal, this output connection is mandatory 6.35 × 0.8 tab.

6.35 × 0.8 tabs can have different bending angle. References on request. (MOQ apply)



Temperature control thermostat & manual reset thermal cutout

Adjustment: Fixed setting for manual reset safety, adjustment by 6mm shaft with 4.6mm flat, standard length 11.5mm for the temperature control thermostat (Other possible lengths: 14, 20, 25mm on request)

The temperature control shaft is available with 180 or 270° mechanical angulation

Mounting: 2 M4 screws, 28mm distance

Access to manual reset: By freely accessible push button or by push button protected by a non-protruding M10 plastic cap (optional). Access to the push button is possible after removing the set point adjustment knob if its diameter covers the hole

Contacts: Double pole single throw 20A 250V snap action contact for the fail-safe and 20A 250V single pole single throw for the temperature control. In option: 1 close on rise auxiliary contact on the line terminal of fail-safe contact.

Max ambient temperature on body: 85°C (185°F).. Must not be higher than calibration temperature of fail-safe contact minus 10°C (-18°F)

Acceptable degree of pollution for use in 250V: 3

Not to be used in 400V

Main references with 90° bended QC terminals, 270° angulation, 11.5mm shaft length, unprotected manual reset button*

References with four 6.35 terminals	References with two 6.35 terminals on heater side and two M4 screw terminals on power supply side	Manual reset Calibration temperature (°C/°F)	Control temperature range (°C/°F)	Capillaries length (C, mm)	Bulb diameters (D, mm)	Bulb length (E1, E2, mm)	Max temperature on bulbs (°C/°F)
8HAA70B90M096099	8HCA70B90M096099	90+0/-8°C (194+0/-14.4°F)	10-70°C (50-158°F)	900	6	85, 77	110°C (230°F)
8HAA70B90M056099	8HCA70B90M056099			500			
8HAA70B90M026099	8HCA70B90M026099			250			
8HAA80B98M096099	8HCA80B98M096099	98+0/-8°C (209+0/-14.4°F)	10-80°C (50-176°F)	900	6	85, 77	120°C (248°F)
8HAA80B98M056099	8HCA80B98M056099			500			
8HAA80B98M026099	8HCA80B98M026099			250			
8HAC85BJ5M096099	8HCC85BJ5M096099	105+0/-9°C (221+0/-16.2°F)	30-85°C (86-185°F)	900	6	85, 77	125°C (257°F)
8HAC85BJ5M056099	8HCC85BJ5M056099			500			
8HAC85BJ5M026099	8HCC85BJ5M026099			250			

* With 1A 250V auxiliary close on temperature rise contact, replace 8HA by 8HB or 8HC by 8HD in the reference. Ask to get specific data sheet for products with different bending of 6.35 terminals, 180° angulation, or different length of adjustment shaft.

Consult us for references with protected manual reset button

Standard knobs printing*

10 - 70°C on 270°	10 - 70°C on 180°	10 - 80°C on 270°	10 - 80°C on 180°	30 - 85°C on 270°	30 - 85°C on 180°
66MZ0060100702FB	66MZ006010070AFB	66MZ0060100802FB	66MZ006010080AFB	66MZ0060300852FB	66MZ006030085AFB
50 - 158°F on 270°	50 - 158°F on 180°	50 - 176°F on 270°	50 - 176°F on 180°	86 - 185°C on 270°	86 - 185°C on 180°
66MZ0060501582FY	66MZ006050158AFY	66MZ0060501762FY	66MZ006050176AFY	66MZ0060861852FY	66MZ006086185AFY

* Be careful in selecting knob model in accessories, the knob diameter and bezel must let free access to the reset button or must be removed to get access (see the 20.5mm dimension on drawing).

- Temperature control maximum set point is 160°C and maximum manual reset set point is 212°C. Ask for specific data sheets.

Update 2025/07/30

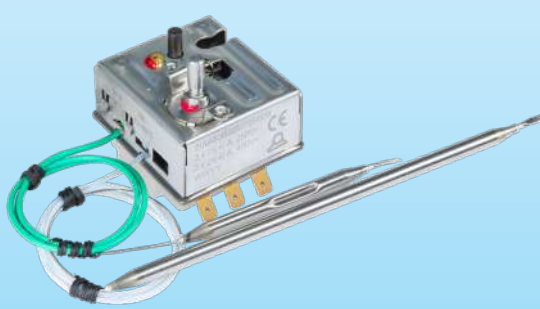
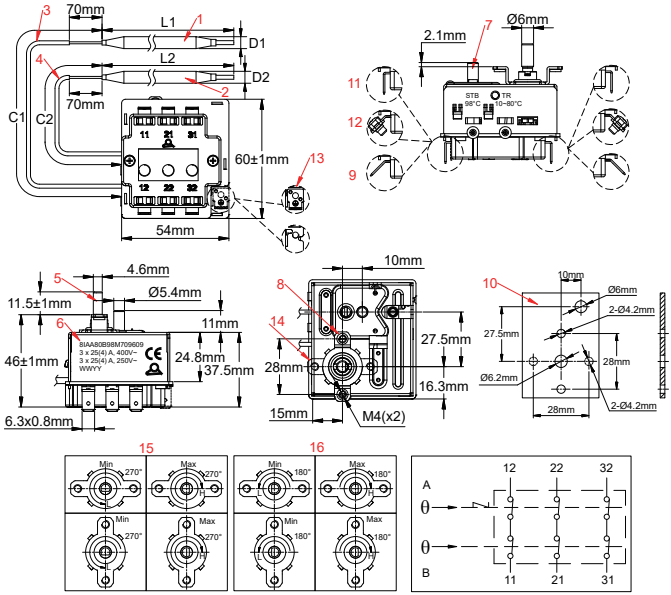


Temperature control thermostat & manual reset thermal cutout

Three poles combination control thermostats, 25(4)A 250VAC, 25(4)A 400VAC with 3 poles fail safe manual reset limiter

Type 81

Dimensions

<p>1: Manual reset bulb and capillary; 2: Control bulb and capillary; 3: Manual reset capillary sleeve (green); 4: Control capillary sleeve (transparent); 5: Control adjustment shaft; 6: Main body; 7: Manual reset button; 8: Mounting bracket angled 0° (standard); 9: 6.35 × 0.8 terminals angled 45° (standard); 10: Mounting board drilling.</p>	<p>Options 11: 6.35 × 0.8 terminals angled 90° 12: Screw terminals 13: 6.35 × 0.8 ground terminal 14: Mounting bracket angled 90° 15: 270° shaft angulation 16: 180° shaft angulation</p>
--	--

Applications

3 pole temperature control and 3 pole cut off on hot water tanks, including flat tanks, electric radiators, electro-thermal heating equipment and immersion heaters.

Main technical features

Housing dimensions: 60 × 54 × 46mm (Without adjusting shaft, terminals, bulbs and capillaries).

Bulb and capillary: Stainless steel, capillary length 250, 750, or 870mm, full length PVC sleeve on capillary up to 70mm of the bulb. PVC sleeve is transparent on the temperature control diastat and green on fail-safe safety diastat.

The bulb diameter of the safety diastat is usually 1mm smaller than that of the temperature control diastat to allow them to be mounted one behind the other in the same pocket. For the same reason, the capillary of the safety diastat is shorter than that of the temperature control diastat.

Contact us for different dimensions.

Capillary minimum bending radius: 5mm.

Temperature sensing element: Liquid filled bulbs and capillaries.

Terminals: 6.35 × 0.8 quick connect terminals. M4 screws also available on request.

Adjustment of temperature control set point: Dia. 6mm shaft with 4.6mm flat, shaft length 11.5mm. Other lengths or fixed setting available on request.

The temperature control shaft is available with 180 or 270° mechanical angulation.

Manual reset: Fail-safe, sealed fixed setting, front access reset button. Set point value of manual reset is usually 25°C above the maximum adjustment value of the temperature control set point. Other values are possible, **provided that tolerances between both set point don't allow over crossing.**

To know more about standard tolerances on manual reset set point, see 85 thermostat catalogue pages.

Mounting: Bracket with 2 M4 holes at 28mm distance, centered around the adjustment shaft. Exists in 2 positions, at 0° and 90°

Rating: 3 × 25(4)A 400VAC, 3 × 25(4)A 250VAC.

Contacts: 3 normally closed contacts, snap action, with simultaneous opening and closing.

Max ambient temperature on body: 85°C (185°F).

Acceptable degree of pollution for use in 250V: 3

Acceptable degree of pollution for use in 400V: 2

Because of permanent improvement of our products, drawings, descriptions, features used on these data sheets are for guidance only and can be modified without prior advice



Temperature control thermostat & manual reset thermal cutout

Main references with 45° bended QC terminals, 270° angulation, 11.5mm shaft length, mounting bracket angled at 0° *

References with 6 × 6.35 terminals bended at 45°	References with six M4 screw terminals	Manual reset Calibration temperature (°C/°F)	Control temperature range (°C/°F)	Capillaries length (C1, C2, mm) **	Bulb diameters (D1, D2, mm)	Bulb length (L1, L2, mm)	Max temperature on bulbs L1 and L2 °C (°F)
8IAA70B90M009E04	8IAA70B90M009E0S	90+0/-8°C (194+0/-14.4°F)	10-70°C (50-158°F)	900	∅5, ∅6	80, 85	L1: 140°C (284°F) L2: 170°C (338°F)
8IAA70B90M005E04	8IAA70B90M005E0S			500			
8IAA70B90M002E04	8IAA70B90M002E0S			250			
8IAC70B90M009E04	8IAC70B90M009E0S	90+0/-8°C (194+0/-14.4°F)	30-70°C (86-158°F)	900	∅5, ∅6	80, 140	L1: 120°C (248°F) L2: 130°C (266°F)
8IAC70B90M005E04	8IAC70B90M005E0S			500			
8IAC70B90M002E04	8IAC70B90M002E0S			250			
8IA075B98M009E04	8IA075B98M009E0S	98+0/-8°C (208+0/-14.4°F)	0-75°C (32-167°F)	900	∅5, ∅6	80, 130	L1: 140°C (284°F) L2: 170°C (338°F)
8IA075B98M005E04	8IA075B98M005E0S			500			
8IA075B98M002E04	8IA075B98M002E0S			250			
8IAA80BK0M009E04	8IAA80BK0M009E0S	110+0/-8°C (230+0/-14.4°F)	10-80°C (50-176°F)	900	∅5, ∅6	80, 120	L1: 140°C (284°F) L2: 170°C (338°F)
8IAA80BK0M005E04	8IAA80BK0M005E0S			500			
8IAA80BK0M002E04	8IAA80BK0M002E0S			250			
8IAC85BK0M009E04	8IAC85BK0M009E0S	110+0/-10°C (230+0/-18°F)	30-85°C (86-185°F)	900	∅5, ∅6	80, 80	L1: 140°C (284°F) L2: 170°C (338°F)
8IAC85BK0M005E04	8IAC85BK0M005E0S			500			
8IAC85BK0M002E04	8IAC85BK0M002E0S			250			

* Ask to get specific data sheet for products with different bending of 6.35 terminals, 180° angulation, a mounting bracket angled at 90° or different length of adjustment shaft.

** In standard, manual reset capillary is shorter than temperature control. Ask specific data sheet if 2 identical lengths are requested. Temperature control maximum set point is 450°C and maximum manual reset set point is 500°C. Ask for specific data sheets. Some high temperature ranges are not available with fail safe action.

Standard knobs printing*

10 - 70°C on 270°	10 - 70°C on 180°	10 - 80°C on 270°	10 - 80°C on 180°	30 - 85°C on 270°	30 - 85°C on 180°	30 - 70°C on 210°
66MZ0060100702FB	66MZ006010070AFB	66MZ0060100802FB	66MZ006010080AFB	66MZ0060300852FB	66MZ006030085AFB	66MZ0060300701FW
50 - 158°F on 270°	50 - 158°F on 180°	50 - 176°F on 270°	50 - 176°F on 180°	86 - 185°C on 270°	86 - 185°C on 180°	33.8 - 158°F on 210°
66MZ0060501582FY	66MZ006050158AFY	66MZ0060501762FY	66MZ006050176AFY	66MZ0060861852FY	66MZ006086185AFY	66MZ0060351551FX

* Be careful in selecting knob model in accessories, the knob diameter and bezel must let free access to the reset button (see the 27.5mm dimension on drawing)

Because of permanent improvement of our products, drawings, descriptions, features used on these data sheets are for guidance only and can be modified without prior advice

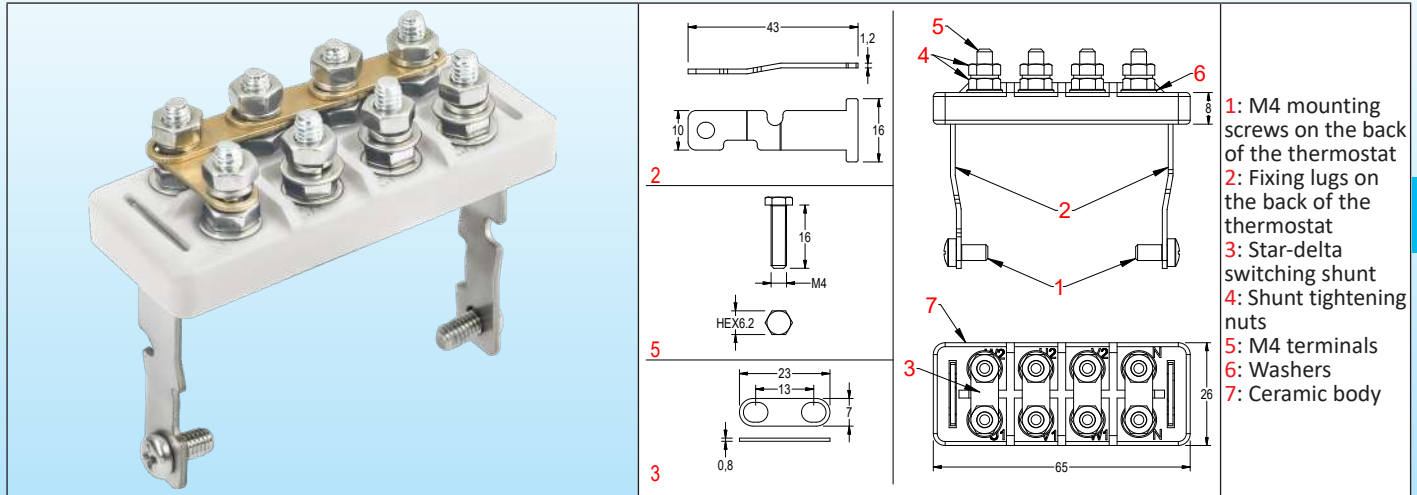
Update 2025/08/21



Temperature control thermostat & manual reset thermal cutout

Star Delta auxiliary connection terminal block

Type 66813PCB

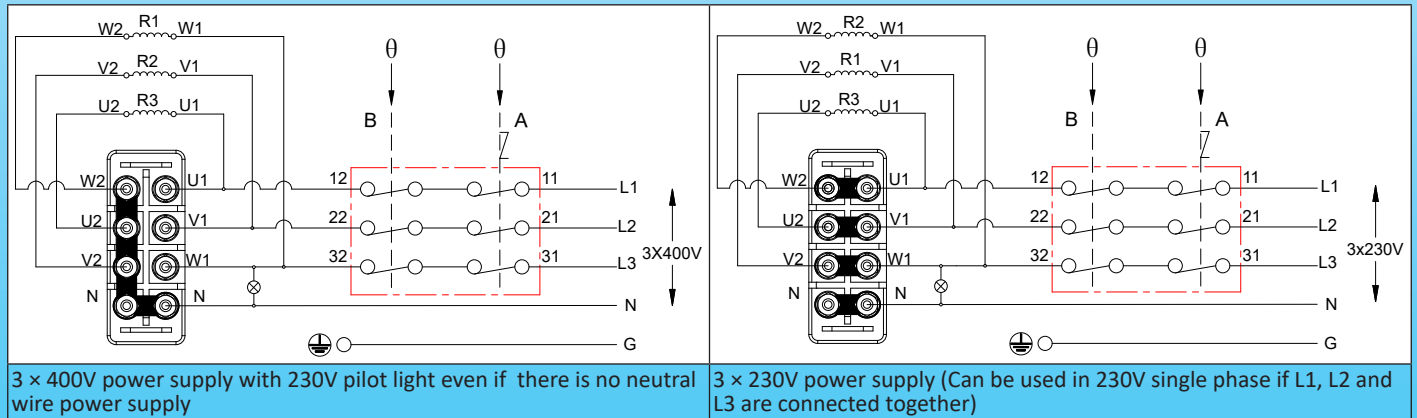


Main features

The 8I thermostats are mainly used on three-phase immersion heaters, with the two bulbs mounted in a single pocket. In some applications they are used in versions of immersion heaters switchable in 230 or 400V three-phase, which can even be connected to 230V single-phase. The 400V can be supplied with or without a neutral conductor. This terminal block, which is mounted by 2 screws, allows simple switching of these different connection possibilities, with easy access to the rear of the thermostat.

It can be delivered fixed on the thermostat and pre-wired

Wiring diagram (230V heating elements)



Part numbers

Connection block not fitted on thermostat	Connection block prewired and fixed on thermostat
66813PCBA	66813PCBP



Update 2025/01/27



Because of permanent improvement of our products, drawings, descriptions, features used on these data sheets are for guidance only and can be modified without prior advice



Because of permanent improvement of our products, drawings, descriptions, features used on these data sheets are for guidance only and can be modified without prior advice

Thermostat accessories

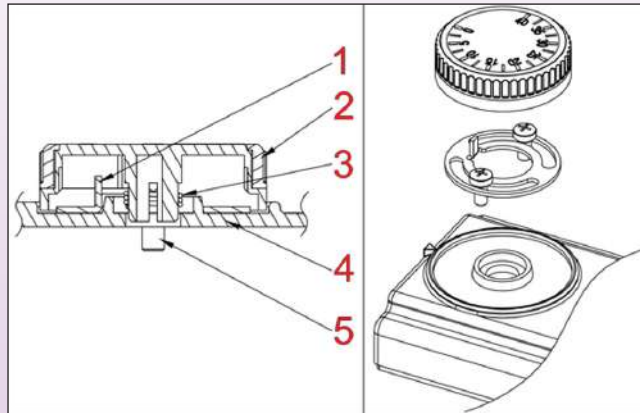


Because of permanent improvement of our products, drawings, descriptions, features used on these data sheets are for guidance only and can be modified without prior advice

Setting of knobs with adjustable span

In some applications it may be necessary to limit the temperature maximum setting (or minimum) possible by the user. Some knobs that we have developed provide this option.

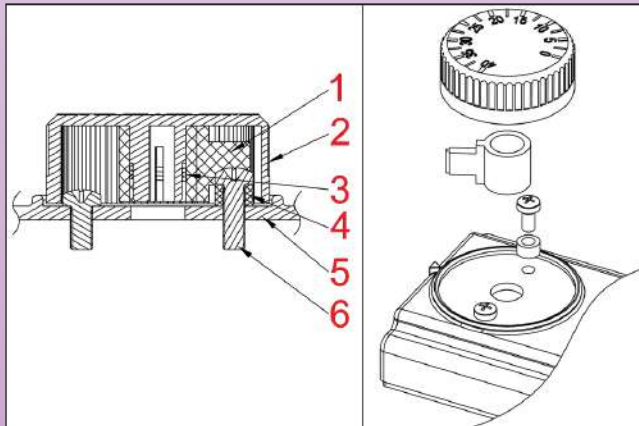
Stainless steel stop for knob types 66MS and 66MZ



- 1: Adjustable stainless steel stop
- 2: Knob frame
- 3: Knob clips
- 4: Mounting wall
- 5: Thermostat mounting screws

Check the molded stop position on the backside of the knob	Take the adjustable cam 6YBUR001	Put the adjustable cam under the thermostat mounting screws. It must be correctly centered. Tighten the 2 screws slightly	Adjust the cam position to the needed position, tighten the screws, and push the knob on the shaft

Plastic stop for knobs 66ME and 66MP



- 1: Adjustable plastic stop
- 2: Knob frame
- 3: Knob clips
- 4: Stop screw plastic spacer
- 5: Mounting wall
- 6: Thermostat mounting screws

Remove the span adjustment kit (plastic cam and washer) from inside the knob	Split washer and cam	Put the plastic washer under one of the M4 mounting screw heads	Put the cam again inside, at the requested angulation	Put the knob on the shaft, do not push the knob completely on the shaft, check if angulation is set correctly. Remove and set again if necessary	When set as needed, push the knob on the shaft



Dials, bezels and mounting boards

Because of permanent improvement of our products, drawings, descriptions, features used on these data sheets are for guidance only and can be modified without prior advice

<p>66EN1</p> <p>Black ABS bezel for knobs dia. 40 to 41mm</p>	<p>66EN3</p> <p>Chrome plated ABS bezel for knobs dia. 40 to 41mm</p>	<p>66EN4</p> <p>Black ABS bezel for knobs dia. 50 to 51mm</p>	<p>66EN2</p> <p>Stamped stainless steel bezel for knobs dia. 40 to 41mm</p>	<p>66EN5</p> <p>Stainless steel bezel for knobs dia. 50 to 51mm</p>	<p>66CG12**</p> <p>Printed adhesive PVC dial, for screw driver style shafts</p>
<p>66CP01</p> <p>Black PBT plastic square printable dial, mounting with 2 M4 screws, 28mm distance. Adhesive version is also available</p>		<p>66CP02</p> <p>Black PBT plastic square printable dial, push in mounting inside M4 threads, 28mm distance.</p>		<p>66CP03***</p> <p>Black PBT plastic counter-plate, printable, for screw driver or miniature knob adjustment</p>	<p>66CP04***</p> <p>Black PBT plastic square printable dial, round type, for S and V thermostat types</p>
<p>66CG5</p> <p>Anodized aluminum dial for energy regulators</p>	<p>66BR01</p> <p>Inside bracket for internal screw driver adjustment, or waterproof shaft gasket, stainless steel</p>	<p>66BR02</p> <p>Inside bracket for waterproof shaft gasket, stainless steel</p>	<p>9BBVE300000048A</p> <p>Extension screw for counter-plate with waterproof shaft gasket mounting</p>		
<p>66BR03</p> <p>Inside bracket for thermostat internal manual reset (Stainless steel)</p>	<p>6YBUR001</p> <p>Adjustable knob stop bracket (Fits 66MS and 66MZ knobs)</p>	<p>66GA2890K</p> <p>Bracket converter. Allows to rotate the thermostat bracket position of 90°. Can be used with every thermostat with 2 M4 screws 28mm distance</p>	<p>9BBZM1000210003A</p> <p>Fixed setting cover. Avoid access to adjustment on S and V thermostat types. Replaces knob and dial</p>		

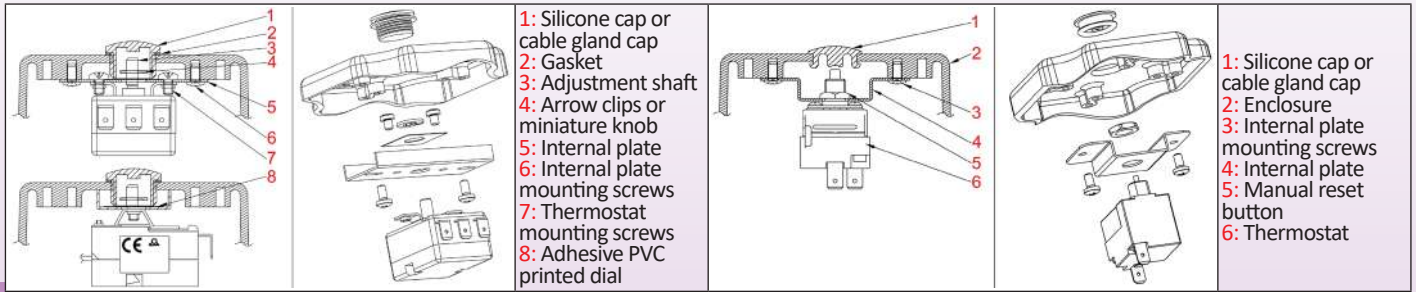
** Full reference is defined by the printing.

Waterproof wall feed-through for adjustment shafts



Assembly examples with internal brackets

Screw driver adjustment thermostat, internal access manual reset thermostat



Through wall waterproof gaskets for thermostat shafts

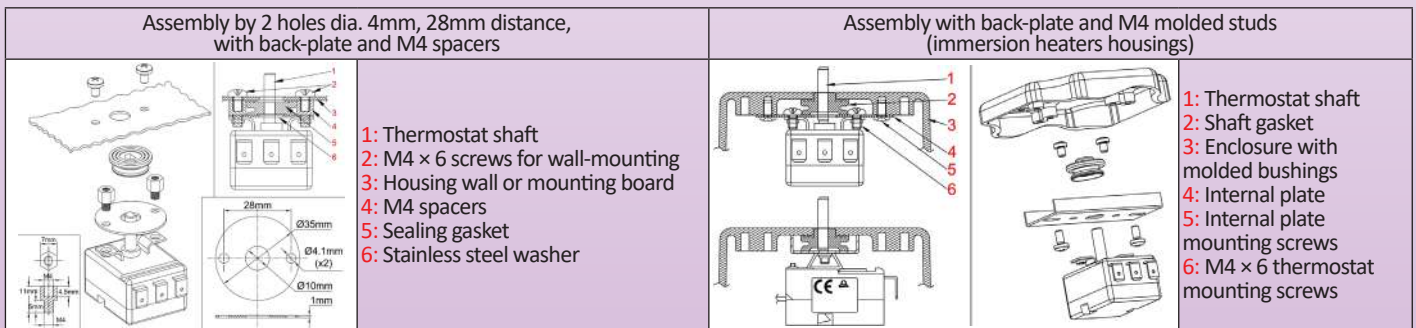
They allow mounting a thermostat or a switch through a wall, ensuring a good resistance against water ingress. The gasket, pressing on the shaft, is compressed between the enclosure wall and a counter-plate. A light lubrication of the counter-plate and the inner face of the wall is recommended.

Flammability: UL 94-V0

Hardness: 60 Shore A

Color: Black. Other colors available (MOQ apply).

Assembly examples with internal brackets



Well feed-through gaskets



Because of permanent improvement of our products, drawings, descriptions, features used on these data sheets are for guidance only and can be modified without prior advice

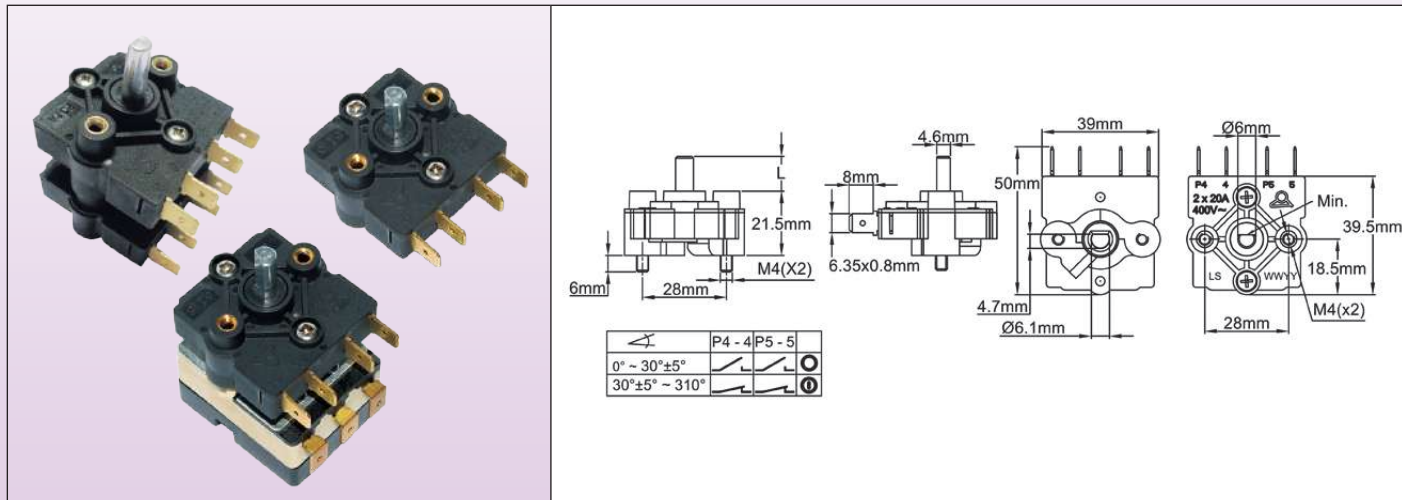


Shaft switches

Additional thermostat shaft rotary switch, 20A 250-400V

Type LS

Dimensions



Applications

These on-off switches are designed to be added on thermostat shafts. They provide off position when the thermostat shaft is at the minimum position. They are available in single pole contact, two pole (one level) and three pole or four pole contacts (two levels).

Main features

Installation: On thermostats with 6mm shaft and 4.6mm flat, mounting by two M4 screws 28mm distance. Shaft length of thermostat that receives this switch must be 12mm maximum.

Shaft lengths available: 11.5; 15; 23mm

Shafts: Galvanized steel

Operation diagram: The contacts are open between 0° and 30 ±5° angular and closed between this value and 310°.

Electrical rating: 20A 250/ 400V res., 6000 cycles

Rotation: Can be used on thermostats with 180 to 310° angular shaft rotation

Contact clearance: Between 0 and 20° angle, the contact spacing is greater than 3mm.

Temperature: 85°C

Case Material: PA66, UL94 V0

Connection: 6.35 × 0.8 tabs. Screw terminals available (MOQ).

Options: Change of flat position, different contact opening or closing positions.

Main references with shaft length L=11.5mm

Level quantities	Switch quantities	References
1	1	LS12190259025160
1	2	LS12290259025160
2	3	LS12390259025160
2	4	LS12490259025160

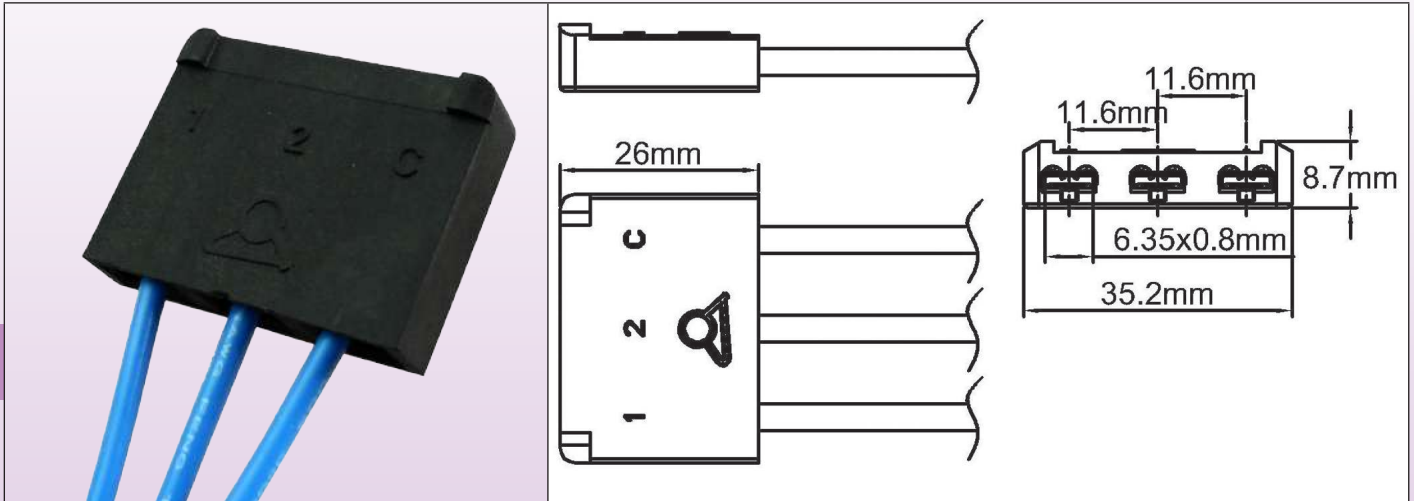
* Screw terminals option: Replace 60 by V0 on the last 2 numbers in the product reference.

Because of permanent improvement of our products, drawings, descriptions, features used on these data sheets are for guidance only and can be modified without prior advice

Connector for thermostat terminals



Dimensions



Application: Faster thermostat wiring, and elimination of wiring mistake, (foolproof design)

Compatibility: Connector for bulb and capillary for thermostat types 8G (with straight or 90° bended terminals), and all models of types KO, KP and KZ.

Number of terminals: 3, compatible with 6.3 × 0.8 tabs

Material: Fiberglass reinforced PA66

Options:

- Unassembled, with female terminals non-crimped,
- Assembled, with crimped wires, length, gauge and style upon customer request.

Reference	66KG3635*
-----------	-----------

* The 16 character full reference is issued upon customer wire types and length specs

Because of permanent improvement of our products, drawings, descriptions, features used on these data sheets are for guidance only and can be modified without prior advice

Because of permanent improvement of our products, drawings, descriptions, features used on these data sheets are for guidance only and can be modified without prior advice





Because of permanent improvement of our products, drawings, descriptions, features used on these data sheets are for guidance only and can be modified without prior advice

Contact us

www.ultimheat.com



ULTIMHEAT

HEAT & CONTROLS



Catalogues collection on
www.ultimheat.com

Electromechanical components & OEM heating sub-assemblies manufacturer

- Mechanical thermostats
- Mechanical safeties single & three poles
- ATEX thermostats & safeties
- Flow through liquid heaters
- Immersion heaters
- Heating elements for air and liquid
- Connection blocks
- Housings for corrosive environments
- Flow switches
- Level switches
- Pressure switches and air switches
- Fusible links and fire detection mechanisms
- Tracing equipment
- **Taylor made solutions**

3-5 ELECTROMECHANICAL & ELECTROSTATS